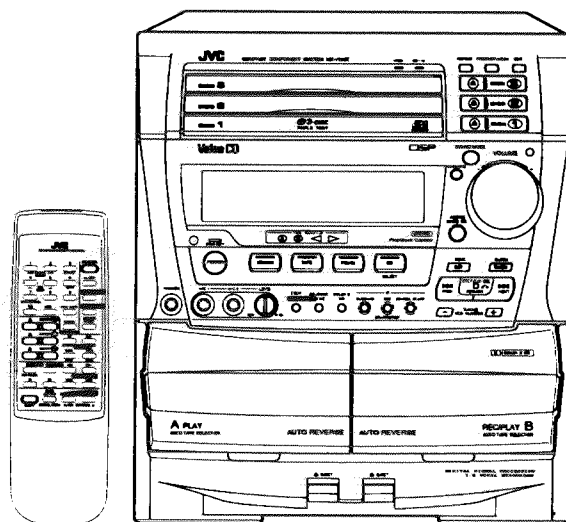


# JVC

## SERVICE MANUAL

### COMPACT COMPONENT SYSTEM

## CA-V605T



PICK UP	OPT-150S
Lsi	MN35510

#### Area Suffix

US	....	Singapore
UT	....	Taiwan
UB	....	Hong Kong
U	.....	Other Area

PlayBack  
Control

Video CD

COMPACT  
disc  
DIGITAL VIDEO

COMPACT  
disc  
DIGITAL AUDIO  
GRAPHICS

COMPACT  
disc  
DIGITAL AUDIO

## Contents

<i>Safety Precautions</i> .....	1-2	<i>Flow of Functional Operation</i>	
<i>Important for Laser Products</i> .....	1-3	<i>Until TOC is Read</i> .....	2-39
<i>Technical Explanation</i> .....	1-4	<i>Maintenance of Laser Pickup</i> .....	2-40
<i>Instruction Book</i> .....	1-8	<i>Replacement of Laser Pickup</i> .....	2-40
<i>Description of Major LSIs</i> .....	2-1	<i>Self-diagnosis for pickup</i> .....	2-41
<i>Internal Connection of FL Display Tube</i> ..	2-17	<i>Block Diagram</i> .....	2-43
<i>Disassembly Procedures</i> .....	2-19	<i>Schematic Diagrams</i> .....	2-44
<i>Adjustment Procedures</i> .....	2-35	<i>Printed Circuit Boards</i> .....	2-51
		<i>Parts List</i> .....	3-1

## Safety Precautions

1. The design of this product contains special hardware and many circuits and components specially for safety purposes. For continued protection, no changes should be made to the original design unless authorized in writing by the manufacturer. Replacement parts must be identical to those used in the original circuits. Services should be performed by qualified personnel only.
2. Alterations of the design or circuitry of the product should not be made. Any design alterations of the product should not be made. Any design alterations or additions will void the manufacturer's warranty and will further relieve the manufacture of responsibility for personal injury or property damage resulting therefrom.
3. Many electrical and mechanical parts in the products have special safety-related characteristics. These characteristics are often not evident from visual inspection nor can the protection afforded by them necessarily be obtained by using replacement components rated for higher voltage, wattage, etc. Replacement parts which have these special safety characteristics are identified in the Parts List of Service Manual. Electrical components having such features are identified by shading on the schematics and by ( $\Delta$ ) on the Parts List in the Service Manual. The use of a substitute replacement which does not have the same safety characteristics as the recommended replacement parts shown in the Parts List of Service Manual may create shock, fire, or other hazards.
4. The leads in the products are routed and dressed with ties, clamps, tubings, barriers and the like to be separated from live parts, high temperature parts, moving parts and/or sharp edges for the prevention of electric shock and fire hazard. When service is required, the original lead routing and dress should be observed, and it should be confirmed that they have been returned to normal, after re-assembling.
5. Leakage current check (Electrical shock hazard testing)  
After re-assembling the product, always perform an isolation check on the exposed metal parts of the product (antenna terminals, knobs, metal cabinet, screw heads, headphone jack, control shafts, etc.) to be sure the product is safe to operate without danger of electrical shock.

Do not use a line isolation transformer during this check.

- Plug the AC line cord directly into the AC outlet. Using a "Leakage Current Tester", measure the leakage current from each exposed metal parts of the cabinet, particularly any exposed metal part having a return path to the chassis, to a known good earth ground. Any leakage current must not exceed 0.5mA AC (r.m.s.).

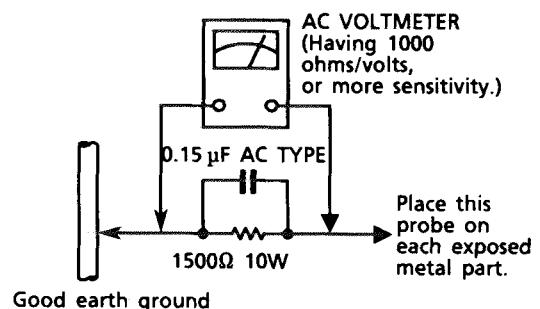
- Alternate check method

Plug the AC line cord directly into the AC outlet. Use an AC voltmeter having, 1,000 ohms per volt or more sensitivity in the following manner. Connect a 1,500 $\Omega$  10 W resistor paralleled by a 0.15  $\mu$ F AC-type capacitor between an exposed metal part and a known good earth ground.

Measure the AC voltage across the resistor with the AC voltmeter.

Move the resistor connection to each exposed metal part, particularly any exposed metal part having a return path to the chassis, and measure the AC voltage across the resistor.

Now, reverse the plug in the AC outlet and repeat each measurement. Any voltage measured must not exceed 0.75 V AC (r.m.s.). This corresponds to 0.5 mA AC (r.m.s.).



## Warning

1. This equipment has been designed and manufactured to meet international safety standards.
2. It is the legal responsibility of the repairer to ensure that these safety standards are maintained.
3. Repairs must be made in accordance with the relevant safety standards.
4. It is essential that safety critical components are replaced by approved parts.
5. If mains voltage selector is provided, check setting for local voltage.

# Important for Laser Products

1. **CLASS 1 LASER PRODUCT**
2. **DANGER** : Invisible laser radiation when open and interlock failed or defeated. Avoid direct exposure to beam.
3. **CAUTION** : There are no serviceable parts inside the Laser Unit. Do not disassemble the Laser Unit. Replace the complete Laser Unit if it malfunctions.
4. **CAUTION** : The compact disc player uses invisible laser radiation and is equipped with safety switches which prevent emission of radiation when the drawer is open and the safety interlocks have failed or are defeated. It is dangerous to defeat the safety switches.
5. **CAUTION** : If safety switches malfunction, the laser is able to function.
6. **CAUTION** : Use of controls, adjustments or performance of procedures other than those specified herein may result in hazardous radiation exposure.

**VARNING** : Osynlig laserstrålning när denna del är öppnad och spärren är urkopplad. Betrakta ej strålen.

**VARO** : Avattaessa ja suojalukitus ohitettaessa olet alttiina näkymättömälle lasersäteilylle. Älä katso säteeseen.

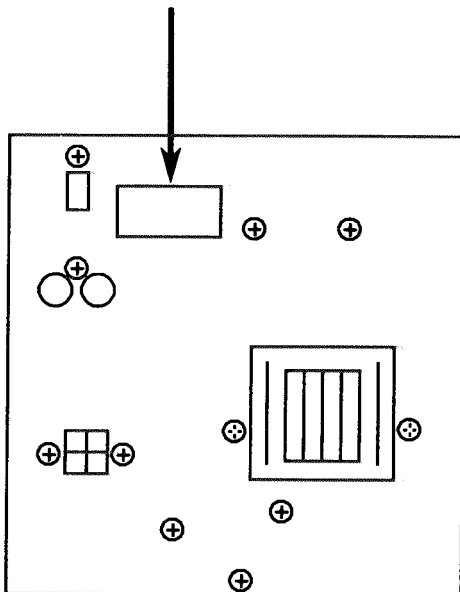
**ADVARSEL** : Usynlig laserstrålning ved åbning, når sikkerhedsafbrydere er ude af funktion. Undgå udsættelse for stråling.

**ADVARSEL** : Usynlig laserstrålning ved åpning, når sikkerhetsbryteren er avslott. unngå utsettelse for stråling.

## REPRODUCTION AND POSITION OF LABELS

**CLASS 1  
LASER PRODUCT**

**CLASSIFICATION LABEL**  
(Except for the U. S. A. and Canada)



## WARNING LABEL

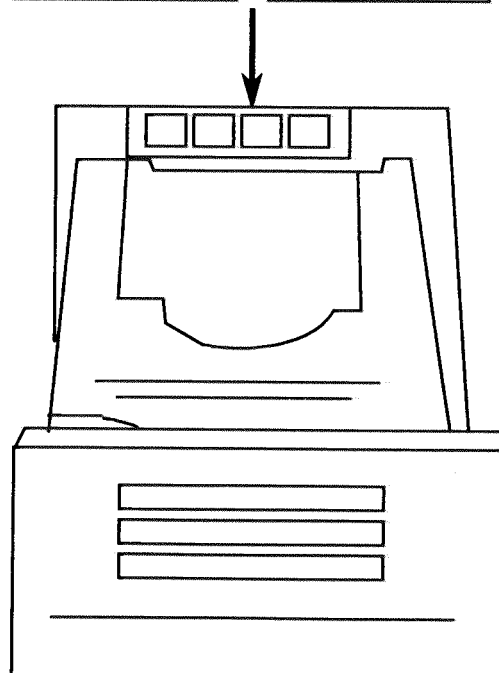
(Except for the U. S. A.)

**DANGER:** invisible laser radiation when open and interlock failed or defeated. AVOID DIRECT EXPOSURE TO BEAM. (e)

**VARNING:** Osynlig laserstrålning när denna del är öppnad och spärren är urkopplad. Betrakta ej strålen. (s)

**ADVARSEL:** Usynlig laserstrålning ved åbning, når sikkerhedsafbrydere er ude af funktion. Undgå udsættelse for stråling. (d)

**VARO:** Avattaessa ja suojalukitus ohitettaessa olet alttiina näkymättömälle lasersäteilylle. Älä katso säteeseen. (f)



## *TECHNICAL EXPLANATION*

### 1. What is video CD ?

Video CD makes it possible to playback digital moving picture and sound for maximumly 74 minutes on 12cm disc and it is expected to use them widely in future for Karaoke, cinema, music, education and so on.

Its Standard is based on the International Standard of MPEG1.

MPEG1 is abbreviation of Moving Picture Image Coding Experts Group which extensively standardizes the digital high efficiency (compression) and multiple method for audio and video data by experts in Electronics, Computer, Communications, Broadcast and so on.

This video CD was established on Mar. '93 by Philips and JVC and standardized based on "Karaoke CD" worldwide licensed.

The Karaoke CD has been already used for business in Japan.

### 2. Main features

- ① Adopting the technique of high efficiency coding for moving picture and sound data, this 12cm video CD can playback video screen in high quality and audio for 74minutes like CD-DA.
- ② Picture software can be converted to video CD by compression and editing.
- ③ CD-I player with the digital video expansion cartridge can reproduce the video disc.
- ④ Video CD can adopt every broadcasting measures in the world (NTSC, PAL and SECAM).
- ⑤ Video CDs are durable and easy to be handled and manufactured as same as previous CDs.

### 3. Outline of specification

- [Basic]     · Based on CD Bridge Standard.
- Physical format : Based on CD-ROM Format (Yellow Book)
  - Video data : Based on MPEG1 (1/100 compression)
  - Audio data : Based on MPEG1 Layer II  
(approx. 1/6 compression, sampling frequency 44.1kHz)
- [Option]   · Still picture : Standard level and highly accurate level
- Playback control : Playback function with control recorded on CD.

### 4. High efficiency coding

#### (1) What is this technique ?

Previous 12cm disc can not record data for more than 40 seconds because of a large amount of data resulted from digitalizing pictures, though, audio sound had already been digitalized.

The high efficiency coding made it possible to record those data on a disc by compressing and restore them at playback.



The high efficiency coding made it possible to record those data on a disc by compressing and restore them at playback.

This newly developed technique is not only for audio visual but also for Communications such as TV telephone and the basic to realize multimedia by processing letters, audio sound and picture by computer. Its International Standard is the MPEG.

## (2) Theory

One screen is divided into several blocks and the amount of picture data is calculated for each blocks to compress effectively.

- On one screen, the simpler the original picture, the larger the compression can be done. For example, a lot of blocks become entirely blue when the sky is pictured. And, this time the data is largely reduced.
- When the screen is moving, the difference between actual screen and the screen which change is predicted from the former one is picked up and transmitted. For example, only transmitting movement of an airplane can picture the flying plane over a mountain.

## 5. Difference between DV and video CD.

JVC has developed DV, that is, Standard for CD Moving Picture Karaoke and established and standardized with Philips on Mar. '93 to license Standard for CD Karaoke.

Four companies added Panasonic and Sony have established Standard for video CD and asked its adoption to hardware and software industries to cooperate its popularizing and promotion.

The video CD Standard is the one which the functions for playback control and still picture playback are added to CD Karaoke Standard.

The purpose of video CD is to apply the CD moving picture widely not only for Karaoke but also cinema, music, education and products introduction.

## 6. Resolution

[Basic] · 30 frames / sec. Resolution : 352×240 dot

[Still picture mode] Highly accurate level : Approx. 2,000times of (704×480)dot can be got.

Standard level : 352×240 dot

## 7. Playback control

Selecting the number displayed on the screen allows video playback in the order previously set by the video CD manufacturer.

Video is reproduced according to the address and its contents which are stored in PLAY, SELECTION and END inside PSD file recorded on the disc.

\* PSD ..... Play Sequence Descriptor

The PSD file has maximumly 512K and can store 32K lists in maximum.

As same as PSD file, LOT file which describes each list's starting address inside PSD file is recorded in video CD information for track 1. (See Fig.-1.)

\* LOT ..... List ID Offset Table

## 7-1 PLAY list

### 1. Basic operation

Plural sequences are reproduced in the order which is described on the list. Maximumly, 255 sequences can be described.

### 2. Applied operation

- Skip (NEXT, PREVIOUS, RETURN)
- Setting playback time
- Setting time to transmit sequence
- Automatic stop

## 7-2 Selection list

### 1. Basic operation

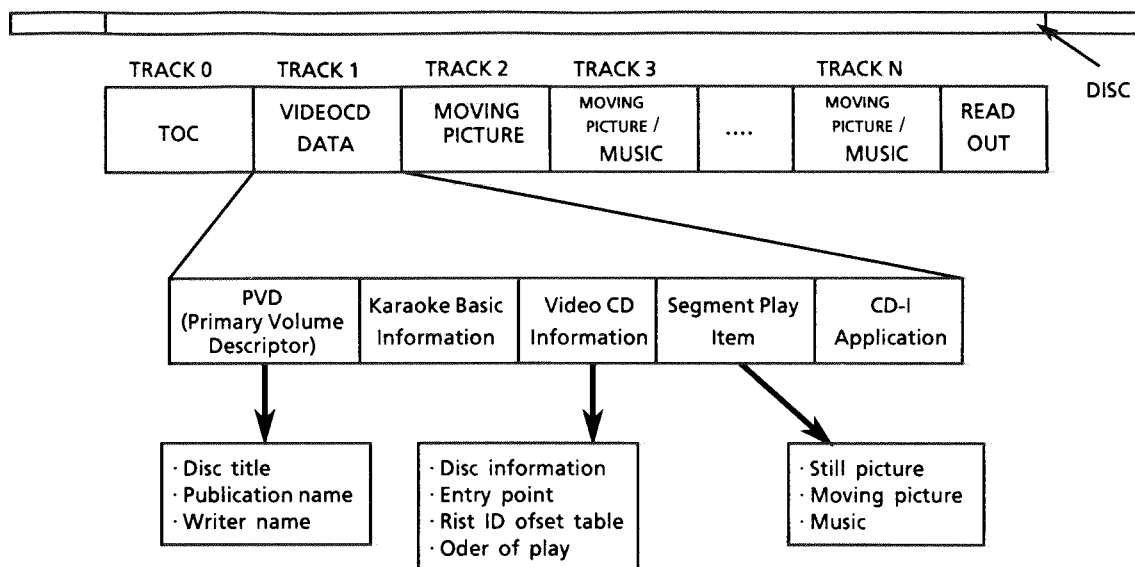
Corresponding address for PLAY list is described according to the selection number of still or moving picture's menu.

### 2. Applied operation

- Switching menu (NEXT, PREVIOUS, RETURN, DEFAULT)
- Setting initial value for selecting item number
- Processing time out
- Repeated playback of sequence

## 7-3 End list

List to finish application's execution.



[ Figure1 ] Structure of video CD

- Data for still and moving pictures which are used for playback control function are solely recorded on track1.
- For playback of storage media like video CD, trick mode is required such as fast forward, rewinding, intermediate playback, reversed playback since all data have been already prepared.

GOP(Group of Pictures) structure was developed for video CD to realize those trick modes.

1 picture is not enough for completed information for video CD since coded picture data is based on its before and after data. Random access is possible by using GOP as a unit which data are gathered altogether for a few pictures.

Sequence header is used for the random access's heading.

That is, entry point in GOP units are prepared on some spots of MPEG bit stream.

Generally, 1 GOP is pictures for approx. 0.5sec.(15pictures). It prevents malfunction such as stopped picture caused by pause of each initial tracks after dividing a track.

Entry points can be set after track2. Each track can set maximumly 99points and 500points can be set on one disc(100~599points). Entry points has similar role as CD index. Therefore, they are adopted for moving pictures in cinema.

# Instruction Book

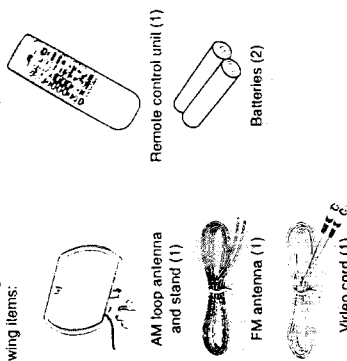
## BEFORE USING FOR THE FIRST TIME

English

## GENERAL INFORMATION

### Checking supplied accessories

After unpacking, check to be sure that you have all the following items:



When the power plug is a flat blade type, the type A adaptor is supplied.  
 When the power plug is a round prong type, the type B adaptor (except Hong Kong) is supplied.  
 If any items are missing, consult your dealer immediately.

### Types of CDs you can play

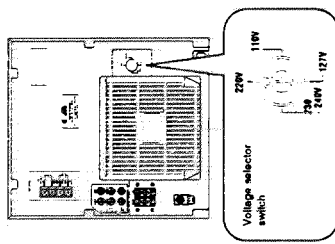
Many types of compact discs are sold for a variety of uses. The Video CD Player can play the following compact discs:

- Video CD** for audio and video (moving picture) reproduction, including multiplex sound.
- Video CD with Playback Control function** featuring menu-type operation and super-line still pictures for audio and video (moving picture) reproduction, including multiplex sound.
- CD Graphics (CD-G)** for audio and video (still picture) reproduction, including multiplex sound.
- Digital Audio CD, including single discs** for audio reproduction.

**CDs you can't play back**  
 Do not play back CD-ROMs on this equipment. Doing so may generate a noise which can damage your speakers.

### Adjusting the voltage selector switch

Before plugging in the unit, set the correct voltage for your area with the voltage selector switch on the rear of the System.

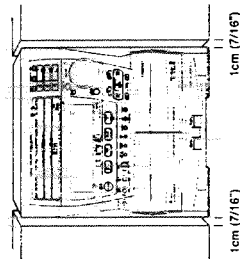


Use a screwdriver to rotate the voltage selector switch so the voltage number the arrow is pointing at is the same as the voltage where you are plugging in the System.

**CAUTION**  
 To avoid damaging CA-V605T set the voltage selector switch before plugging in the System.

### Laying out the System

Leave a space of at least 1 cm on both sides of the System and at least 10 cm at the back, for ventilation.

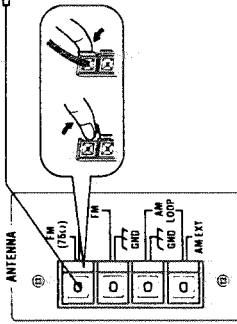


### Connecting the antennas

#### FM antenna

**Antenna preparations**  
 You need to connect the FM antenna to the back of the System.

- Open the FM antenna wire connectors by pushing them to the side, insert the FM antenna wires, and close them by pushing them back into their original position.
- Hang the FM antenna on the wall behind the System.



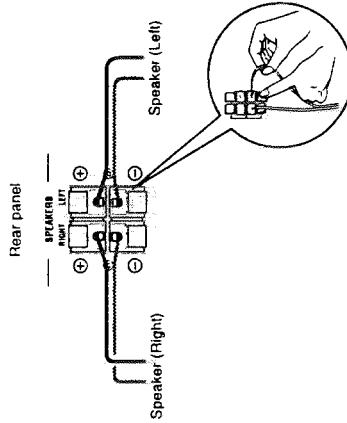
### Connecting the speakers

The speaker cords are included with the speaker system. (Both speakers should be connected)

- Remove the insulation at the end of each cord and twist the core of the cord.



- Open the speaker terminal.
- Insert the end of the speaker cord to the terminal.
- For each speaker, connect one end of the speaker cord to the speaker terminals on the rear of the System. Match the polarity of the speaker terminals: Red (+) to red (+) and black (-) to black (-).
- Close the speaker terminal on the rear of the System or just re-release your finger from the terminal on the speaker.

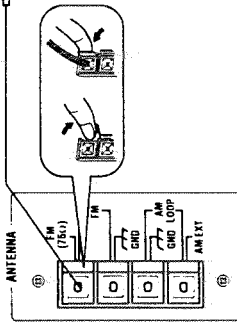


### Connecting the antennas

#### AM antenna

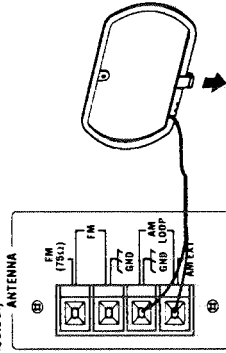
**Antenna preparations**  
 You need to connect the AM antenna to the back of the System.

- Open the AM antenna wire connectors by pushing them to the side, insert the AM antenna wires, and close them by pushing them back into their original position.
- Hang the FM antenna on the wall behind the System.



- Connect the AM loop antenna to the AM LOOP terminals as illustrated.
- Turn the AM loop antenna until you have the best reception.

**To connect an outside AM antenna**  
 When reception is poor, connect a single vinyl-covered wire to the AM EXT terminal. (The AM loop antenna must remain connected.)



**Note**  
**For better reception of both FM and AM**  
 Make sure the antenna conductors do not touch any other terminals or connecting cords.  
 Keep the antennas away from metallic parts of the System, connecting cords, and the AC power cord.

**BEFORE USING FOR THE FIRST TIME**

English

**BEFORE USING FOR THE FIRST TIME**

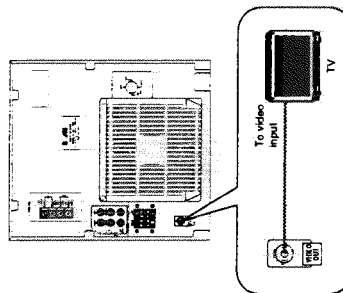
**Connecting other equipment**

- You can connect the following equipment to this System:
- TV with a video input jack — used as a monitor of VCR playback or video CD playback.
  - VCR — used as a sound playback and sound recording device.
  - Audio/video equipment such as a video disc player — used only as a playback device.
  - Audio equipment with an optical digital input terminal — used only as a digital recording device like MD/DCC player.

**Caution**

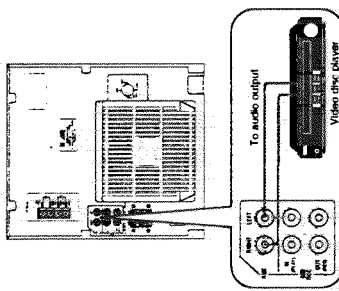
- DO NOT connect other equipment while power is on.
- DO NOT plug in the AC power cord until all connections are complete.

**To connect a TV**



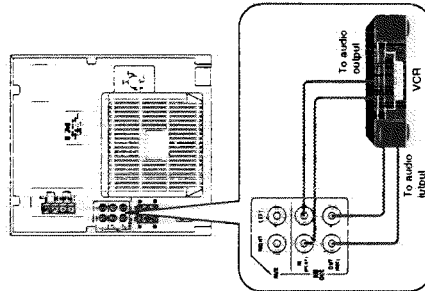
Connect the video input jack on the TV and the VIDEO OUT jack, using the supplied video cord.  
To view a video CD, you need to connect an NTSC-compatible TV.

**To connect audio/video equipment such as a video disc player**



Connect the audio output jacks on the other equipment and the AUX jacks, using an audio cord (not supplied).

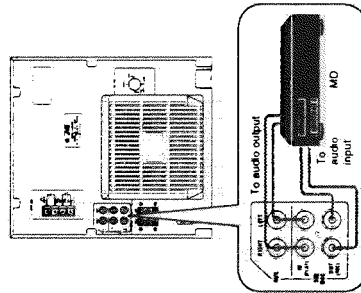
**To connect a VCR**



By using audio cords (not supplied), connect:

- Between the audio input jacks on the VCR and the MD/DCC OUT (REC) jacks.
- Between the audio output jacks on the VCR and the MD/DCC IN (PLAY) jacks.

**To connect MD, DCC and DAT**  
You can connect the audio output terminals to the MD DCC IN (PLAY) jacks, and the audio input terminals to MD DCC OUT (REC) jacks.  
Make sure to connect the wires correctly: Red to red and white to white.

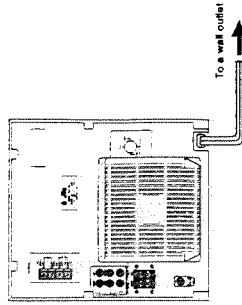


**Notes**

- When recording onto the MD through this terminal**
- You can record only audio signals of conventional CDs and CD-Gs through this terminal.
  - It is not recommended to use the automatic marking function of the MD player since the marking signal cannot be recorded correctly between recorded tracks. It is preferable to use manual marking while recording.

**Connecting the power cord**

NOW, you can plug the power cord.



If the wall outlet does not match the AC plug, use the supplied AC plug adaptor.

When the power cord is connected, the STANDBY light on the left-hand side of the System's front panel comes on. [See "Overview of controls" for a description of the controls on the System.]

# UNIQUE FEATURES

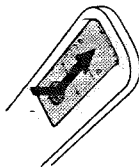
English

## BEFORE USING FOR THE FIRST TIME

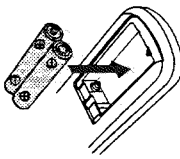
### Putting the batteries into the remote control unit

The battery compartment is located on the back of the remote control.

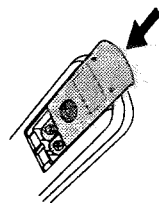
1. Press down on the triangular mark of the compartment cover, and slide the cover off to open the compartment.



2. Place the two accessory R6P (SUM-3)AA (15F) batteries in the remote control according to the polarity markings ("+" and "-") inside the compartment and on the batteries.



3. Place the cover over the compartment, press down lightly, and push it upward until it snaps on.



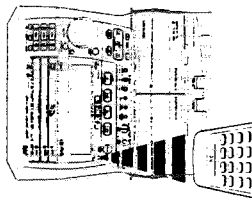
The batteries last about one year with normal use. If function of the remote control become erratic, replace the batteries. See "Precautions for the safe use of batteries" below for more information.

### Precautions for the safe use of batteries

- Observe the following precautions for the safe use of batteries. Their life will be shortened, they may burst or their contents may leak if they are used improperly.
- Remove batteries from the remote control if it is not going to be used for a long period of time.
  - Remove dead batteries and dispose of them properly.
  - Never leave dead batteries lying around, take them apart, mix them with other refuse, or throw them into an incinerator.
  - Never touch liquid that has leaked out of a battery.
  - Do not mix new and old batteries, or batteries of different types, when replacing them.

### Using the remote control

The remote control is ready to use when its batteries are installed properly. To use it, point its infrared light-emitting window toward the display window of the System and press a button. The operating range of the remote control is up to about seven meters in front of the System and within about 30 degrees to each side — with nothing between the remote control and the System interrupting the beam path. If pressing a button on the remote control does not produce any response, check to make sure it is pointed correctly and try again. If it still does not function, check the batteries.



### About the DEMO mode

The Compact Component system CA-V605T is equipped with a DEMO mode which is designed to introduce different features of the system to you. This DEMO mode will display these different features to you on the display screen. This feature will be turned on automatically when you plug in your system. To turn the DEMO mode off push the DEMO button once while the System is off. The words "DEMO OFF" will appear in the display. (The System must be turned off to turn the demo feature off.)

### About the ONE-TOUCH easy-on feature

This feature lets you start your system with ONE-TOUCH ease. When you approach the system the one touch easy-on buttons will start to blink and display the functions that are available to you. All you need to do is push any of the blinking buttons and the System will automatically turn on and start to play the chosen feature. When you push a blinking CD tray button that has no CD in it the tray will open. To turn off the blinking buttons, and retain the easy-one feature, turn the System off and while holding down the STOP/CANCEL button, press the POWER button. The word "GUIDE OFF" will appear on the screen.

### How to use ONE-TOUCH buttons

#### Changing the source

When you turn the power on, the indicator lights on the source buttons will turn to green and when you choose a certain source, that button will turn to red.



#### The disc buttons

- When the power cord is connected, only the disc tray buttons with CDs loaded in them will light. The light will change from green to red when they start to play.
- After you plug in the power cord after it has been disconnected, or power has been restored after a power outage, the ONE-TOUCH buttons will not illuminate.

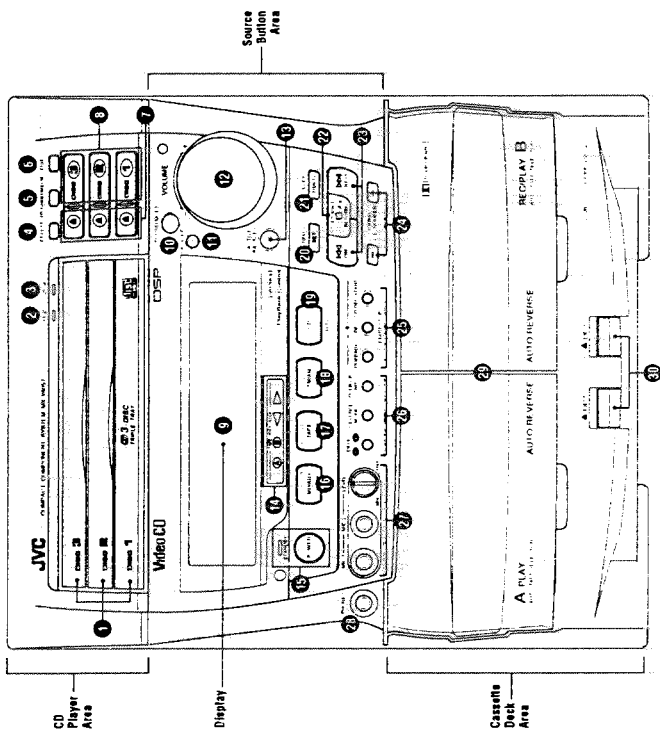


OVERVIEW OF CONTROLS

English

OVERVIEW OF CONTROLS

See pages in the parentheses for details.



Front Panel

CD player area	Main Ref.	Page
1 Disc trays	P. 12	
2 VCD indicator	P. 12	
3 CD-G indicator	P. 18	
4 REPEAT button	P. 14	
5 PROGRAM/RANDOM button	P. 14, 15	
6 EDIT button	P. 26	
7 ▲ (open/close) buttons	P. 12	
8 Disc buttons	P. 12	

Display	(See page 8 for description)
9	Display

Source button area	Main Ref.	Page
10 SOUND MODE button	P. 11	
11 KARAOKE button	P. 27	

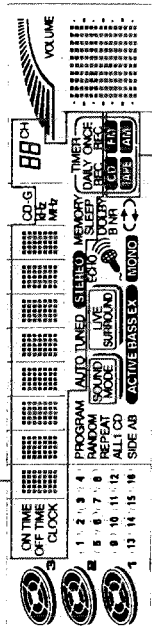
12 VOLUME knob	P. 10
13 ACTIVE BASS EX. (Extension) button	P. 21
14 TAP INDICATOR	P. 10
15 STANDBY indicator/POWER button	P. 10
16 MID/AUX selector button	P. 21
17 TAPE selector button	P. 12
18 FM/AM selector button	P. 12
19 CD selector button/SELECT button	P. 6, 20
20 DEMO mode/SET button	P. 31
21 TIME/CLOCK button	P. 13, 16
22 STOP/CANCEL/TURN button	P. 13, 16, 22
23 PREVIOUS/NEXT buttons	P. 13, 19
24 TUNING/WCD NUMBER buttons	P. 23
25 Record control buttons	P. 21
26 Tape control buttons	P. 30
27 MIC IN/MIC LEVEL knob	P. 10
28 PHONE jack	P. 10

Cassette deck area	Main Ref.	Page
29 Tape deck AB	P. 21	
30 EJECT buttons	P. 21	

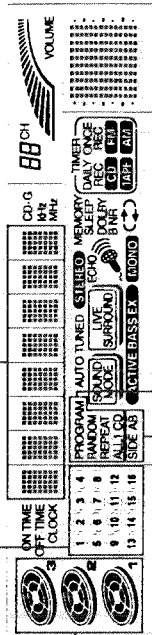
Display

- Tuning display • Time display • Timer display • Record Timer and Recording Source indicator
- Sleep Timer and Source indicator • FM/AM band indicator • Preset channel indicator • All message display



Daily Timer and Source indicator

- Number of songs and currently playing song indicator
- Currently playing song and time display
- Program play order



Disc indicator

- CD edit indicator
- PROGRAM
- Random performance mode
- REPEAT ALL
- REPEAT 1

This displays the six different musical intervals

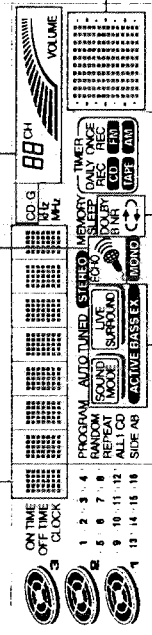
KEY #1 KEY #6  
KEY #1 KEY #6

When KARAOKE is on, this display will light

This displays the 3 different echo levels

D.ECHO 1  
D.ECHO 2  
D.ECHO 3

- Lit when playing a CD with CD Graphics
- Radio channel display
- Volume level display



When ACTIVE BASS EX. is on, this display will light

- The DOI BY B NR display
- Reverse mode display

Music effect display

# COMMON OPERATIONS

## Amplifier/Tuner

### Remote Control Unit

#### Function and number buttons

- 1 POWER button
- 2 SLEEP button
- 3 FM/AM button
- 4 MD/AUX button
- 5 SOUND MODE button
- 6 1, 2 buttons —  $\leftarrow$   $\rightarrow$  MANUAL SEARCH (S)
- 7 3 button —  $\equiv$  STILL (S)
- 8 4, 5 buttons —  $\leftarrow$   $\rightarrow$  VCD INDEX (S)
- 9 6 button — SLOW (S)
- 10 7 button — CD-G CHANNEL (S)
- 11 8, 9, 10 button
- 12 +10 button (enables 11 thru 99 number selection)
- 13 PLAY MODE button
- 14 CANCEL button — AUTOMONO (S)

#### CD buttons

- 15  $\blacktriangle$  Open/close buttons
- 16 Disc buttons
- 17  $\blacksquare$  RETURN/STOP button
- 18  $\blacktriangleright$  SELECT/PLAY button
- 19  $\leftarrow$   $\rightarrow$   $\blacktriangleright$   $\blacktriangleleft$  PREVIOUS/NEXT buttons

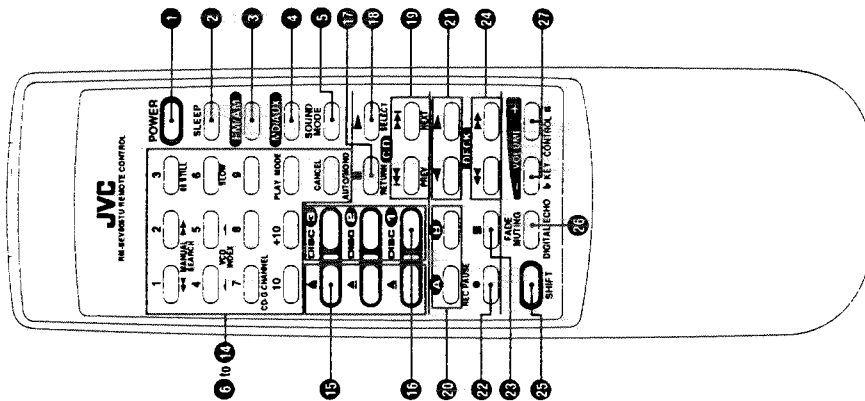
#### Cassette deck buttons

- 20 A/B Deck select buttons
- 21  $\leftarrow$   $\rightarrow$  PLAY buttons
- 22  $\blacksquare$  REC/PAUSE button
- 23  $\blacksquare$  STOP button
- 24  $\leftarrow$   $\rightarrow$  Fast forward/Reverse buttons

#### System Control buttons

- 25 SHIFT button (enables buttons to have various different functions)
- 26 FADE MUTING button — DIGITAL ECHO (S)
- 27 VOLUME buttons — KEY CONTROL button (S)

(S): The buttons with the (S) mark after them have different functions when used in unison with the SHIFT button.



### Tuning the power ON and selecting sources

When you press the play button for a particular source, the System automatically turns on and starts playing the source.

To select the auxiliary equipment as the source, press (MD/AUX) so that the System automatically turns on (when you press MD/AUX the System will turn on, but the AUX equipment will not start to play).

When using the remote control, press MD/AUX. Each time you press the button, the source alternates between MD and AUX.

To turn on the System without playing, press POWER button so that the STANDBY indicator turns off.

To turn off the System, press POWER button again so that the STANDBY indicator lights red. Some energy (20 watts) is always consumed even while the System is in standby mode.

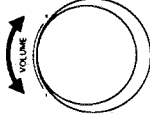
To switch off the power supply completely, unplug the AC power cord from the AC outlet.

**Note**

When you unplug the AC power cord or power failure occurs the clock is reset to 0:00 right away, while the tuner preset stations will be erased in a few days.

### Adjusting the volume

Turn the VOLUME knob clockwise to increase the volume or counterclockwise to decrease it.



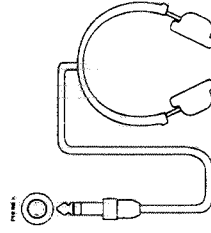
When using the remote control, press VOLUME + to increase the volume or press VOLUME - to decrease it.



### Using stereo headphones

**Connecting stereo headphones**

Connect stereo headphones to the PHONES jack at the middle-left of the front panel.



**Note**

**For private listening**

Connect a pair of headphones to the PHONES jack. No sound comes out of the speakers. Be sure to turn down the volume before connecting or putting headphones on.

**Caution**

DO NOT turn on the unit and/or start playing any source without setting VOLUME to MIN; otherwise, the sudden blast of sound can damage your hearing, speakers and/or headphones.



**COMMON OPERATIONS**

English

**Reinforcing the bass sound**

When using the ACTIVE BASS EX., the richness and fullness of the bass sound is maintained regardless of how low you set the volume.

You can use this effect only for playback.

To get the effect, press the ACTIVE BASS EX. (Active Bass Extension) button so that the ACTIVE BASS EX. indicator lights up in the display.



To cancel the effect, press the button again so that the indicator goes off.

**Fade/Muting**

When you press the FADE MUTING button (on the remote control) the volume will automatically fade out. If you press the button again it will return to its previous level.



**Selecting the sound modes**

You can use only one mode at a time. Sound modes can be used for playback and for recording.

To select the sound modes, push the SOUND MODE button until the sound mode you want appears in the display.



The SOUND MODE indicator lights up. (When selecting one of the Live Surround modes, the LIVE SURROUND indicator also lights up.)

**Sound modes**

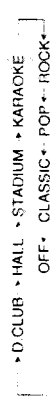
- D.CLUB: Increases resonance and bass.
  - HALL: Enhances the mid-frequency range which human voice is mostly made up of, like in a concert hall.
  - STADIUM: Adds clarity and spreads the sound, like in an outdoor stadium.
  - KARAOKE: Puts your voice in instead of the vocals.
  - ROCK: Gives a feeling of a live atmosphere. Good for rock music.
  - POP: Enhances the vocals of the music.
  - CLASSIC: Adds depth and brilliance to the sound.
- indicates a sound mode that incorporates live surround sound.

To cancel the effect, press the sound mode until the word "OFF" appears on the display.

**When using the remote control**

Press SOUND MODE button repeatedly until the sound mode you want appears in the display.

Each time you press the button, the modes change as follows:



**BASIC OPERATIONS**

Now you can play a variety of CDs!

**Triple disc tray usage**

Up to three (3) discs can be loaded in the System. You may insert a disc into any of the disc trays 1 through 3 whichever you prefer.

If you want to play only a specified disc, press the corresponding disc 1, 2 or 3 button located to the right of the OPEN/CLOSE button.

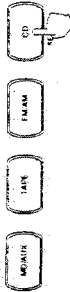
When three discs are inserted, basic order of playing is as following.

- Pressing DISC 1: DISC 1 → DISC 2 → DISC 3 → STOP
- Pressing DISC 2: DISC 2 → DISC 3 → DISC 1 → STOP
- Pressing DISC 3: DISC 3 → DISC 1 → DISC 2 → STOP



**Preparation for playing**

The CA-V605T is equipped with an ONE TOUCH easy-on feature that lets you turn the System on with one easy touch. Just press the button of the source you want to play and it will start to play.

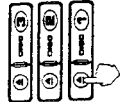


**Inserting/removing the disc(s)**

Press the OPEN/CLOSE button (1 through 3) to open the disc tray. Then place the disc in the round recess of the tray with the label side up. To close the tray, press the OPEN/CLOSE button again.

If you press the OPEN/CLOSE button of the playing disc, the player stops and then opens the tray.

If you press the OPEN/CLOSE button of a disc that is not being played, you can change discs without stopping play.



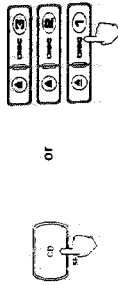
**Note**

- When loading a disc in the disc tray, be sure to position the disc inside the recess. Otherwise, the disc will be damaged when the disc tray is closed, and the disc cannot be removed from the System.



**Starting to play disc(s)**

Press the SELECT (PLAY) button. The player starts to play from the disc indicated in the display window. Press one of the DISC 1 through 3 buttons and the player plays the disc you pressed, from the 1st track. For individual track selection, use the number keys (1 to 10 and +10 button) on the remote control.



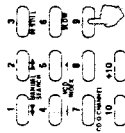
When you start play, the display window shows disc number and the track number being played.

If the disc is a Video CD, the VCD indicator on the front panel will light up.

**Using number keys**

Press the number keys to select numbers.

On the remote control ..... 1 to 10 and +10 key  
 Example: For number 5, press 5. For number 15, press +10, then 5. For number 20, press +10, then 10. For track 32, press +10 three times, then 2.



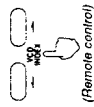
# VARIOUS UNIQUE FUNCTIONS

English

## BASIC OPERATIONS

### Using VCD INDEX

An index is a pre-recorded mark to locate a particular point in a disc. If a disc has indexes recorded, it is mentioned on the printed surface of the disc or on the disc's package. This function is handled by the remote control. Hold down the SHIFT button and select the index number by pressing the VCD INDEX button.



### Stopping play

To stop a disc, push the STOP/CANCEL button once.



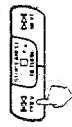
### Pausing play

Press the PAUSE button to temporarily suspend play.

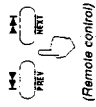
To restart play press the PAUSE button once again. On the remote control, while pressing the SHIFT key press the STILL button. To restart play, press the SELECT play button on the remote control.

### Auto search

On the System, during play, pressing the PREVIOUS button once causes the player to replay the current track from the beginning. Pressing the PREVIOUS button twice causes the player to play the previous track. Pressing the NEXT button once causes the player to skip to the next track.



On the remote control, pressing the PREVIOUS/NEXT buttons cause the disc to skip to the next or previous track.



### Manual search

This function is handled by the remote control. To reverse/fast forward, hold down the SHIFT button and press either LEFT or RIGHT of the MANUAL SEARCH (No. 1, 2) buttons.

Continuing to hold down the buttons causes it to search much faster.

### To use slow motion playback

During playback of a video the CD, hold down the SHIFT button, and then press the SLOW button.

Each time you press the button, the slow motion speed decreases 1 level until the slowest speed is reached. During slow motion playback, no sound comes out. To resume normal playback, press PAUSE on the remote control.

### To use frame-by-frame playback

During playback of a video CD, hold down the SHIFT button and then press the STILL II button. Play pauses and you see a still picture on the TV screen. Then each time you press the button, still pictures advance by one frame. During frame-by-frame playback, no sound comes out. To resume normal playback, press PAUSE on the remote control.

#### Notes

- If you do not advance the still picture for about 5 minutes, the CD player automatically stops, the still picture disappears and the blue screen appears on the TV screen.
- If you cannot restore normal playback after using the slow motion or frame-by-frame playback.
- Press the PREVIOUS button and then restart play.
- Press the RETURN button to go back to the menu and then restart play.

### RESUME

When the STOP/CANCEL button (or the STILL button on the Remote Control) is pressed during playback, and the source is changed, the track number is memorized even when the power is turned off. The next time the CD button (or the STILL button on the Remote Control) is pressed, play resumes from the track where it was interrupted.

To start playback from the first track, press the DISC button.

### Programming track sequence

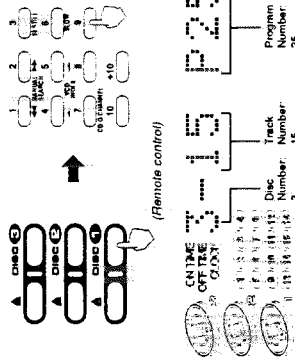
**Preparation**  
It is not possible to enter programming mode during play. Verify whether the Player is playing. If playing, stop the player.

**Operation**  
1. Press the PLAY MODE button until PROGRAM is displayed.



2. Specify the disc by the DISC (1 through 3) button and then the track by the number keys successively. You can program up to thirty two (32) tracks by repeating this procedure.

3. To play the programmed track press the SELECT button on the remote control.



### Programming track sequence (front panel)

- Operation**
- Press the PROGRAM/RANDOM button until PROGRAM appears in the display window.
  - Press the disc button to designate the disc you want to program.
  - Press the PREVIOUS/NEXT button to designate the track number you want to enter.
  - Press the SET button to enter your selection into programming.
  - Continue with this procedure until all desired programming is completed, and press the CD SELECT button.

### Cancelling a programmed track

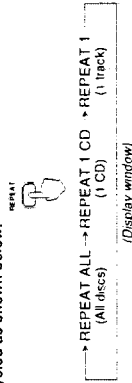
**Operation**  
The Player must be stopped to cancel a track. Once you have stopped the Player, Press the STOP/CANCEL button and the last programmed track is canceled. The next track to be played and the number of programmed tracks left are displayed on the display screen.

### Repeating tracks

It is possible to repeat all discs, repeat (1) CD or repeat 1 song.

**Preparation**  
This function is controlled by the REPEAT button on the front panel of the Player.

**Operation**  
By pressing the REPEAT button, REPEAT modes are cycled as shown below.



#### Notes

- When playing a programmed sequence of tracks, REPEAT ALL, and REPEAT 1 are available.
- When playing a disc with the Playback Control function, the repeat function is not available.

VARIOUS UNIQUE FUNCTIONS

English

OPERATION OF PLAYBACK CONTROL FUNCTION

Playing Video CDs with Playback Control function

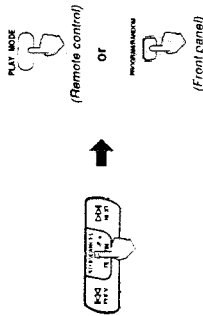
Randomly playing tracks

- Preparations**
- This function is controlled on the front panel and on the remote control.
  - This function plays tracks randomly from all trays in which CDs are loaded.

**Operation**

- Stop the player.
- Press the **PLAY MODE** or **PROGRAM/RANDOM** button until "RANDOM" appears in the display window.

- Press **▶** **PLAY** button.
- To cancel random playing, after stopping the player [**STOP/CANCEL** button], press the **PLAY MODE** button on the remote control or **PROGRAM/RANDOM** button on the front panel.



**Notes**

- Random is not available in program mode.
- In RANDOM mode, only REPEAT ALL and REPEAT 1 functions are available.

Tray Lock Function

In order to safely keep the discs in the CD Player, the three trays can be electronically locked in a single operation. When the electronic lock is on, the trays cannot be opened even if the **▲** button is pressed. This function can only be accessed by using the buttons on the Unit itself.

Locking the Electronic Lock

- Put the CA-V605T's power into **STANDBY** mode. If the power is on, press the **POWER** button to light the Standby indicator.
- While pressing the **STOP/CANCEL** button, press the **▲** button for **DISC 1**'s tray on the Unit.



"LOCKED" appears on the display to let you know that the trays have been locked. When the CD Player trays are locked, pressing the **▲** buttons displays the message "LOCKED" on the display and the trays do not open.

Unlocking the Electronic Lock

- Put the CA-V605T's power into **STANDBY** mode. If the power is on, press the **POWER** button to light the Standby indicator.
- While pressing the **STOP/CANCEL** button, press the **▲** button for **DISC 1**'s tray on the Unit.



When the unlock operation is done, "UNLOCKED" appears in the display to show that the lock has been taken off. The trays can now be opened by pressing the **▲** buttons. The **▲** button can also be used to automatically turn on the power.

This System provides a Playback Control function which utilizes a procedure (menu selection) programmed in a video CD. The playback operation procedure may differ depending on the disc you use.

The Playback Control function is described below and in the figure.

- High-resolution still image display - Super-line reproduction of still images with more than 4 times the resolution of video tape.
- Menu-driven playback - interactive menus for easy selection of tracks

**Preparations**

- A video CD with the Playback Control function is required for this operation.
- The buttons available for use are on the remote control, are the **◀**, **▶**, **PREV/NEXT** buttons, **CD SELECT** button, **DISC (1 through 3)** buttons, **↶** **RETURN** button and the number keys.

**Button functions**

- ◀** **▶** **PREV/NEXT** buttons ..... Move through menu
- CD SELECT** button ..... Starts up a video CD with the PBC function in **DISC tray 1** to **3**.
- DISC (1 through 3)** buttons ..... Start up a video CD with the PBC function in the specified **DISC tray**.
- ↶** **RETURN** button ..... Returns to the menu.
- Number keys and +10** button ..... Select a specific menu item from the television screen or monitor.

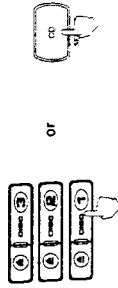
**MANUAL SEARCH** ..... To use manual search while playing a video CD, hold down the **SHIFT** button, and press the **MANUAL SEARCH** button on the remote control.

**Note**

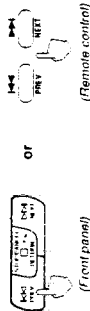
Sometimes due to improper manufacturing video CDs will function differently.

**Operation**

- Press the **DISC (1 through 3)** or **CD SELECT** button, and then the Player starts up the PBC function. "PBC" is shown in the Display window.



- To move through the menus, press the **◀** **▶** **PREV/NEXT** buttons.

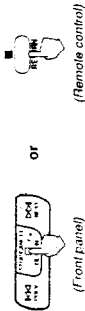


- When the menu you want appears, select an item in the menu by using the number keys. The numbers on the number keys correspond to the menu item numbers.

On the front panel Press the **VCD NUMBER** button **CD SELECT** and then **CD SELECT** button.

On the remote control Press the number key and your selection will start to play.

- To return to a menu and stop the track being played, press the **↶** **RETURN** button.



**Notes**

- Page numbers in the menu show that preceding pages exist. To move from the current menu, press the **◀** **▶** **PREV/NEXT** buttons.
- When you press number keys, the track will start playing without pressing the **▶** **SELECT** button.
- When there is only one menu, pressing the **NEXT** button will cause the System to start playing.

# GRAPHIC/DIGITAL AUDIO CDS

## Playing CD Graphics/ digital audio CDs

### Playing CD Graphics

Basic video CD-playing procedures apply although the pictures are still. A graphic picture CD is identified by "GRAPHICS" shown on the display and the CD-G indicator will lit on the front panel.

To select the CD graphic channel (if the CD-G has patterns (up to 15) of graphics (they are called "graphic channels"), you can select the one you want. You can find out whether or not the CD-G has graphic channels by looking at its package or the printed surface of the disc.

To change the graphic channel, press CD-G CHANNEL repeatedly until the graphic channel you want appears on the TV screen.

#### Notes

- The following operations may distort the image on the screen.
  - Searching for starting point of music
  - Fast forwarding/reversing
  - Stop/pause
- If paused, the screen changes to blue in a few minutes. This is to prevent burn-in of the TV screen.
- When you use as Karaoke, see page 28.

### Playing digital audio CDs

Basic video CD-playing procedures apply to the reproduction of sound.

To record a CD onto a cassette tape, see page 23.

## English

### OPERATION OF PLAYBACK CONTROL FUNCTION

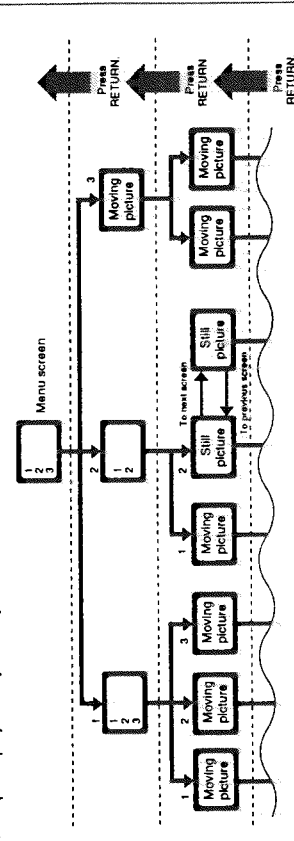
#### Video CD with Playback Control function

- Menu-driven playback**  
You can interact with the screen using a menu display to select and play an entry.
- High-resolution still image display**  
You can display high-quality images four times clearer than video pictures.

#### What is the Playback Control function?

The Playback Control function, ushering in a new video CD age, allows you to enjoy menu-driven operation and high-resolution still images having a resolution four times greater than video pictures.

Example of playback by the Playback Control function



A selection menu is displayed when you start playing a video CD disc with the Playback Control function. The selection menu shows a list of numbers for selection. Some discs may show moving pictures or a divided screen.

- When a list of numbers is displayed, selecting a number shows its contents.
- When a moving picture is displayed, pressing SELECT at the time when a part of the movie you desire is shown plays the movie.
- When the selection menu is redisplayed after you have played your selection, selecting a number again can replay its contents. (Some discs may show the menu screen several times.)

When "Next" and "Prev" are shown, pressing "NEXT" or "PREV" can change the selection menu.

- After playback, press RETURN to go back to the previous screen.
  - After playback, pressing RETURN for 2 seconds or more causes it to go back to the previous menu selection. Some discs may return you to the menu screen shown before playback.

#### Notes

- When a menu is displayed for a long time, about 10 minutes, the screen background automatically fades out to prevent screen burn-in while the setting is suspended.
- When using the REPEAT function the PBC function is not available.

**AM-FM TUNER**

English

**AM-FM TUNER**

Before listening to FM and AM broadcasts, check the following:

- Both the FM and AM antennas are firmly connected.
- Check the AM tuner interval spacing (9 kHz or 10 kHz) for your area.

**Setting the AM tuner interval spacing**

Some countries space AM stations 9 kHz apart, and some countries use 10 kHz spacing. When shipped, the built-in AM tuner is set to 9 kHz spacing.

To set the AM tuner to the 10 kHz spacing, be sure that the unit is turned off, but is plugged into a wall outlet. Hold down **▶▶NEXT** and then press **POWER**.

To set it back to the 9 kHz spacing, be sure that the unit is turned off, but is plugged into a wall outlet. Hold down **◀◀PREV** and then press **POWER**.

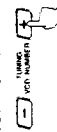
**Tuning in a station**

- Operation**
1. Press **[TUNING]** **FM/AM**.



The unit automatically turns on and tunes in the most recent station (either FM or AM). Each time you press the button, the band alternates between FM and AM.

2. Press and hold **◀◀TUNING - or +**.



The unit starts searching stations and stops when a station of sufficient signal strength is tuned in. The **TUNED** indicator lights up in the display. If a FM program is broadcast in stereo, the **STEREO** indicator also lights up.

To stop during searching, press **TUNING - or +**.

**Tuning in a preset station**

**Operation**

1. Press **[PRESET]** **FM/AM**. The unit automatically turns on and tunes in the most recent station (either FM or AM). Each time you press the button, the band alternates between FM and AM.
2. Press and hold **◀◀PREV/NEXT** until the channel number you want appears in the display.

When using the remote control you can select a preset station directly by specifying its channel number.

**Operation**

1. Press **[PRESET]** **FM/AM**. The System automatically turns on, and then by pressing the **FM/AM** button, the System will switch from the most recently selected FM or AM station.
2. Press the number button (1 — 10) to select your preset channels.

**Note**

If you want to use the number buttons on the remote control to select the preset radio stations, you must select **FM** or **AM** from the remote control's **FM/AM** button.

**Presetting stations**

You can preset 10 stations each for FM and AM.

**Operation**

1. Press **[PRESET]** **FM/AM** button and then **TUNING - or +** to tune in the station you want to preset. See "Tuning in a Station" on the previous page.
2. Press **SET**.
3. The **MEMORY** indicator blinks for about 5 seconds.
4. Press **▶▶NEXT** to select a channel number while the **MEMORY** indicator is blinking in the display. Press **SET** again.

The **MEMORY** indicator goes off in the display.

**To erase the preset stations**

Storing a new station on a used number erases the previously stored one.

**Note**

When you unplug the AC power cord or power failure occurs, the preset stations will be erased in a few days. If this happens, preset the stations again.

# CASSETTE DECK

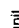
## Listening to tapes

You can play back type I, type II, and type IV tapes without changing any settings.

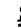
- Type I ..... Normal
- Type II ..... High Position
- Type IV ..... Metal (For listening only, not recordable)

However, before you start play, you need to check the type of the Dolby NR\* system used for the tape you play. Only the Dolby B NR is incorporated into this unit.

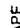
### Listening to tapes in deck A or B


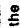




By pressing the  TAPE button, you can turn on the unit, and start playing a tape if a tape is in the deck.

#### Operation

1. Press EJECT for the deck you want to use.
2. Put the cassette in, with the exposed part of the tape down.
3. Close the cassette holder gently.
4. Press  TAPE and the Player will start the side the tape indicator shows.

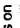





To play the opposite side of the tape, press the  TAPE button again. When the tape plays to the end, the deck automatically stops if the Reverse Mode is not on. (See "To play both sides repeatedly — Reverse Mode.")

On the Player to stop during play, press  STOP/CANCEL. To reverse or forward, press      PREVIOUS and the TAPE button to start the tape playing again.

To remove the cassette, press EJECT.

#### Note

When cassette tapes are loaded into both deck A and B, you can choose the deck to play by pressing the DECK  or  buttons on the front panel, or the  or  buttons on the remote control. Tape indicator shows you which deck will be activated.

- \* Dolby noise reduction manufactured under license from Dolby Laboratories Licensing Corporation. "DOLBY" and the double-D symbol are trademarks of Dolby Laboratories Licensing Corporation.


# English


## CASSETTE DECK

### Locating the beginning of a song

#### — Music Scan

You can use Music Scan to locate the beginning of a song. Music Scan searches for blank portions that usually separate recorded songs, then plays the next song.

To find the beginning of the current song During play, press  PREVIOUS in the opposite direction to the tape play. Searching stops automatically at the beginning of the current song, and the current song starts again automatically.

To find the beginning of the next song During play, press  PREVIOUS in the same direction as the tape play. Searching stops automatically at the beginning of the next song, and the next song starts automatically.

On the remote control, to locate the beginning of the current or next song, press  buttons.


#### Notes

- You may stop music scan and start play again by pressing the TAPE button.
- Music Scan works by detecting a 4-second long blank between each song, so it won't work well in the following cases.
  - No blank at the beginning of a song.
  - Noise (often caused by much use or poor quality dubbing) which fills the blank with noise.
  - Long, very soft passages or pauses in a song.

### Continuous play Playing tapes in deck A and B

You can play tapes in deck A and B continuously.

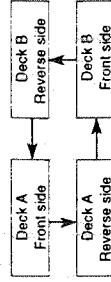
#### Operation

1. Press EJECT for both decks.
2. Put cassettes into both decks, with the exposed part of the tape down.
3. Close the cassette holders gently.
4. Press  TAPE and the Player will start the side the tape indicator shows. The direction indicator starts blinking and tape play starts. When a tape finishes playing, the unit checks to see if a tape is in the other deck. If one is there, it automatically starts playing it.

To stop play, press the  STOP/CANCEL button.

#### Notes



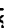
- How Continuous Play actually works — When Reverse Mode is on:
  - After the reverse side of the tape finishes playing, the tape in the other deck starts playing. The tapes continue to play in the sequence below.

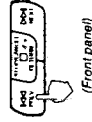


#### When Reverse Mode is off:

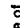


- After one side of the tape finishes playing, the tape stops.

### Fast forward/Reversing tapes

To fast forward/reverse tapes, first press the  STOP/CANCEL button and the one of the   PREVIOUS buttons.



(Front panel)

On the remote control, press the  STOP and then one of the   buttons.



(Remote control)

RECORDING

English

RECORDING

Recording on the connected equipment

You can record sounds on the VCR connected to the MD DCC OUT (REC) jacks on the rear panel. Before you start recording, refer also to the manuals supplied for the connected equipment.

Operation

Start playing the source and recording.

For recording on VCR:

You can select the sources; FM, AM, deck A and B, CD player, and the equipment connected to the AUX jacks. When you start recording from the equipment connected to the AUX jacks, select [AUX]. Refer to page 3 and the manual for the connected equipment.

For recording on the digital equipment; — MD, DCC, DAT

You can play only the conventional audio CD and the CD-G as the source.

Notes

- You cannot adjust the recording level manually. Recording level is fixed.
- You can not record on the connected digital equipment from video CDs.

CAUTION

- It may be unlawful to record or playback copyrighted material without the consent of the copyrighted owner.
- If recording you make have excessive noise or static, the unit may be too close to a TV. Increase the distance between the TV and the unit.

Dubbing tapes

You cannot dub tapes with the sound modes. It is preferable that the tape type (type I or II) you record from be the same as the tape type you record onto when dubbing tapes.

Operation

- Put the source cassette in deck A, and the cassette to be recorded onto in deck B.
- Press DUBBING button on the front panel.



Dubbing starts. (The System will automatically find the beginning of both tape and start to record).

To stop during dubbing, press REC START/STOP button.

To dub both sides — Reverse Mode

Press REVERSE MODE so that the Reverse Mode indicator (↔) is lit, and start from the front sides for both deck A and B. To cancel Reverse Mode, press the REVERSE MODE button again so that the indicator turns to (↔).

Note

The Dolby NR system is inactive during dubbing. The dubbed tape automatically contains the same processing as the source tape. The DOLBY B NR indicator automatically turns off.

To protect your recording

Cassettes have two small tabs on the back to protect unexpected erasure or re-recording. To protect your recording, remove these tabs. To re-record on a protected tape, cover the holes with adhesive tape.

When using type II tape, be careful not to cover the holes used to detect the tape type.



You can record using deck B, connected VCR and connected digital recording equipment. You can only record on deck B.

Recording tapes

You can use type I and II tapes for recording.

Operation

- Press EJECT for the deck B.
- Put in the cassette to record onto, with the exposed part of the tape down.
- Close the cassette holder gently.
- Press REC START/STOP so that the REC indicator lights up.



5. Start playing the source — FM, AM, CD player, deck A, or auxiliary equipment connected to VCR and AUX jacks by pressing the desired button. When the source is deck A, you can also use the dubbing method. (See 'Dubbing Tapes'.)

To stop recording, press REC START/STOP button. To stop recording temporarily, press REC PAUSE on the remote control.

To resume recording, press REC START/STOP button or [▶] button on the remote control.

To record a tape with the Dolby NR system (except when the source is deck A)

Press DOLBY B NR to activate the Dolby B NR system. The DOLBY B NR indicator lights up.

To cancel the Dolby NR system, press the button again so that the indicator turns off.

To record on both sides — Reverse Mode Press REVERSE MODE so that the REVERSE MODE indicator (↔) lights up.

When the source is deck A, see "Dubbing Tapes." To cancel Reverse Mode, press the REVERSE MODE button again so that the indicator (↔) turns off.

To record a tape with the sound modes (except when the source is deck A)

Before you start recording, select the sound mode you want by pressing the SOUND MODE button. You can record in any one of the modes.

CAUTION

The use of the 120 minutes long or thinner tape is not recommended, since characteristic deterioration may occur and this tape easily jams in the pinch-rollers and the capstans.





# KARAOKE

## Singing along — Karaoke

You can enjoy singing along using conventional audio CDs (or tapes), CD-Gs and video CDs.

### Singing along with conventional audio CDs or tapes — Vocal Masking

When playing a stereo recorded source such as conventional audio CDs or tapes, you can reduce the lead vocal and replace it with your voice by singing into the microphone. Usually stereo recorded CDs are the best source for Vocal Masking.

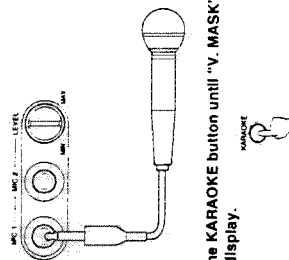
#### What Vocal Masking actually does

Vocal Masking reduces the lead vocal (but never erases it). The following sources are not good for Vocal Masking.

- Monaural sources
- Multiplex karaoke tapes and discs
- Poorly dubbed tapes
- Stereo recorded source, but with only few instruments, with duets, or with strong echo

#### Operation

1. Turn down MIC LEVEL fully.
2. Connect the microphone (not supplied) into the MIC jack on the front panel.
3. Play the source — a CD, a tape, or other.



4. Press the KARAOKE button until "V. MASK" appears on the display.

5. Turn MIC LEVEL and VOLUME to adjust the microphone level and the sound output level.
6. Sing into the microphone.

**Note**  
You can adjust both MIC 1 and MIC 2 with the MIC LEVEL knob.

## English

#### To apply echo to your voice

While holding down the SHIFT button, press DIGITAL ECHO on the remote control.  
Each time you press the button, the amount of echo applied changes and the display shows as follows:

→ ECHO 1 → ECHO 2 → ECHO 3 → OFF

ECHO 1: A little echo is applied.

ECHO 2: More amount of echo than ECHO 1.

ECHO 3: Strong echo is applied.  
OFF: No echo is applied.

#### To record yourself singing along

See "Microphone Mixing" on page 30.

#### Notes

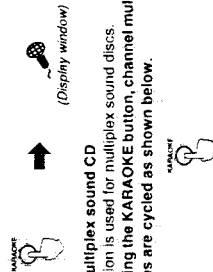
- For preventing howling and squealing when using the microphone  
Adjust MIC LEVEL and VOLUME, and try not to point the microphone at the speakers.
- When you are not going to use the microphone  
Keep MIC LEVEL set to MIN, and disconnect the microphone.

### Singing along with Multiplex Karaoke Video CDs without the PBC function or Multiplex Karaoke CD-Gs

If the disc you are going to play is a multiplex karaoke disc, the instrumental parts are recorded on the left channel and the vocal parts are recorded on the right channel. So, you can select the output sounds — whether the instrumental parts only or both of the instrumental parts and vocal parts. Before playing a disc, turn on the TV and select the video input so that you can view the pictures from the CD player.

#### Operation

1. Turn down MIC LEVEL fully.
2. Connect the microphone (not supplied) into the MIC jack on the front panel.
3. Press ▲ on any of the disc trays.  
The unit automatically turns on and the disc tray comes out.
4. Place a disc correctly in the circle of the disc tray, with its label side up.
  - When you play a video CD, "VIDEO CD" appears in the display and play starts from the first track.
  - When you play a CD-G, "GRAPHICS" appears in the display and play starts from the first track.
5. Press ◀ or ▶/SELECT button on the remote control.
  - Press KARAOKE to select the output sound — whether the instrumental parts only or both of the instrumental parts and the vocal parts.



#### Playing a multiplex sound CD

- This function is used for multiplex sound discs.
- By pressing the KARAOKE button, channel multiplexing modes are cycled as shown below.

→ REPLACE → Lch MONO → Rch MONO → V.MASK  
(Display window)

7. Turn MIC LEVEL and VOLUME to adjust the microphone level and the sound output level.
8. Sing into the microphone.

# KARAOKE

To stop during play, press ■ STOP/CANCEL. The blue screen appears on the TV screen.

To stop play and remove the disc, press ▲. After singing, restore the stereo effect by pressing KARAOKE. So, you will not lose the stereo effect when you play a stereo disc next time.

#### To select the CD graphic channel

If the CD-G has several patterns (up to 15) of graphics (they are called "graphic channels"), you can select the one you want. You can find out whether or not the CD-G has graphic channels by looking at its package or the printed surface of the disc.

To change the graphic channel, press CD-G CHANNEL repeatedly until the graphic channel you want appears on the TV screen.

#### To apply echo to your voice

**Operation**  
1. Press DIGITAL ECHO on the remote control while holding down the SHIFT button.



2. Each time you press the button, the amount of echo applied changes and the display shows as follows:

→ D.ECHO 1 → D.ECHO 2 → D.ECHO 3 → OFF

ECHO 1: A little echo is applied.

ECHO 2: More amount of echo than ECHO 1.

ECHO 3: Strong echo is applied.

OFF: No echo is applied.

To select a particular track or to use other basic operations

See "Basic Operations" on page 12.

To record yourself singing along

See "Microphone Mixing" on page 30.

#### Notes

- You can use Vocal Masking only on a multiplex Karaoke disc.
- To prevent howling and squealing when using the microphone  
Adjust MIC LEVEL and VOLUME, and try not to point the microphone at the speakers.
- When you are not going to use the microphone  
Keep MIC LEVEL set to MIN, and disconnect the microphone.

# USING THE MICROPHONE

## Singing along with Multiplex Karaoke Video CDs with the PBC function

Before playing a disc, turn on the TV and select the video input so that you can view the pictures from the CD player.

### Operation

1. Turn down MIC LEVEL fully.
2. Connect the microphone (not supplied) into the MIC jack on the front panel.
3. Press **▲**.  
The System automatically turns on and disc tray comes out.
4. Place a disc correctly in the circle of the disc tray, with its label side up and press **▲** again. The disc tray will close.
5. Press the disc button next to the disc you want to play.
6. When the menu appears on the TV screen, select the song you want by using the number buttons on the remote control unit.
7. Press the KARAOKE button to select the output sound — whether the instrumental parts only or both the instrumental parts and the vocal parts.  
Each time you press the button, the sound changes and the display window shows as follows:

→ V.MASK → REPLACE → Lch MONO → Rch MONO

Lch MONO: only the instrumental parts  
Rch MONO: only the vocal parts  
VOCAL MASK: vocal is to be muted  
REPLACE: your voice replace the vocal

8. Turn MIC LEVEL and VOLUME to adjust the microphone level and the sound output level.
9. Singing into the microphone.

To stop Menu Play, select the item in the menu (such as "End" or "Quit") which can quit playback. If there is not such a selection, press and hold RETURN for more than 2 seconds. To stop play and remove the disc, press **▲**.

**To apply echo to your voice**  
Hold down the SHIFT button and press DIGITAL ECHO on the remote control.  
Each time you press the button, the amount of echo applied changes and the display shows as follows:

→ ECHO 1 → ECHO 2 → ECHO 3 → OFF

ECHO 1: A little echo is applied.  
ECHO 2: More amount of echo than ECHO 1.  
ECHO 3: Strong echo is applied.  
OFF: No echo is applied.

**To use other operations**  
See "Various Unique Functions" on page 14.

**To use slow motion or frame-by-frame playback for video CDs**  
Press the **■** STILL button while holding down to SHIFT button on the remote control.

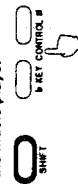
**To record yourself singing along**  
See "Microphone Mixing" on page 30.

### Notes

- You cannot use Vocal Masking on a multiplex karaoke disc.
- To prevent howling and squealing when using the microphone  
Adjust MIC LEVEL and VOLUME, and try not to point the microphone at the speakers.
- When you are not going to use the microphone  
Keep MIC LEVEL set to MIN, and disconnect the microphone.

## Adjusting music key

Hold down the SHIFT button and press the KEY CONTROL buttons on the remote control (▶ 1-5 or # 1-6) to change the key in which the music plays.



### Note

Once the music key is adjusted, the key level will not return to the previous level after playing a song.

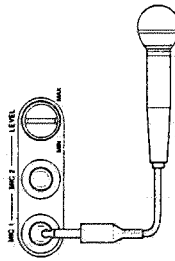
You can use the microphone (not supplied) for two kinds of recording.

## Microphone mixing

You can record sound through the microphone by mixing sound from other sources.  
When recording on deck B, you cannot use deck A as the playing source. (But you can use deck A as the playing source when recording on the connected VCR.)

### Operation

1. Turn down MIC LEVEL fully.
2. Connect the microphone (not supplied) into the MIC jack on the front panel.



3. Play the source — a CD, a tape, and others.
4. Turn MIC LEVEL and VOLUME to adjust the microphone level and the sound output level.

### 5. Sing into the microphone.

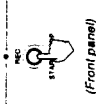
**6. Start recording.**  
You can record using both deck B and the connected VCR. When recording on deck B, see "Recording Tapes" on page 23.  
When recording on the VCR, refer to the manual supplied for it.

## Recording only through the microphone

You can record sound picked up by the microphone only. See page 23 to prepare for recording.

### Operation

1. Turn down MIC LEVEL fully.
2. Connect the microphone (not supplied) into the MIC jack on the front panel.
3. Turn MIC LEVEL and VOLUME to adjust the microphone level and the sound output level.
4. Press the REC START/STOP button, the indicator turns red and recording will start.



5. Sing into the microphone or pick up sound using the microphone.

### Notes

- You can record using both deck B and the connected MD.
- To prevent howling and squealing when using the microphone  
Adjust MIC LEVEL and VOLUME, and try not to point the microphone at the speakers.
- When you are not going to use the microphone  
Keep MIC LEVEL set to MIN, and disconnect the microphone.

# USING THE TIMER

English

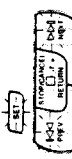
There are three timers available — Recording Timer, Daily Timer and Sleep Timer. Before using the timers, you need to set the clock built into the System.

## Setting the clock

**Setting the clock for the first time**  
After you plug the system in you need to set the clock before you can set any of the timers.

### Operation

1. Press the **CLOCK** button once. 
2. The indicators below will start to blink. 


3. Press the **▶NEXT** button to advance the hour. When you reach the right hour press the **SET** button.
4. Press the **▶NEXT** button to advance the minutes. When you reach the right minute press the **SET** button.
5. "CLOCK OK" will appear on the display. 

**Note**  
Holding down the **▶NEXT** button will advance/decrease the time by 10 minute intervals.

## Using Recording Timer

With Recording Timer, you can make a tape of a radio broadcast automatically. You can set Recording Timer whether the System is turned on or off.

### Operation

1. Place a tape in deck B and select the recording direction. See page 23.
2. Choose the radio station you wish to record. (The Player will remember the station.)
3. Press the **TIMER** button consecutively until "ON TIME", "—", and "ONCE REC" blink. 



4. Use the **◀PREV** button to set the hour and press **SET**. Then do the same for the minutes and press **SET**.
5. Use the **▶NEXT** button to set the off time in the same way.
6. **TIMER OK** will appear on the screen and the Recording Timer is set.

To reset the timer after the System has automatically turned off, Turn the System on and press the timer button until **ONCE REC** appears in the display, and press **SET**. The once record timer is set again for the same time, and source.

### Notes

- To turn off the Recording Timer, press the Timer button until **ONCE REC** blinks, and press **STOP/CANCEL** button. The **ONCE RECORD** feature is turned off.
- How Recording Timer actually works — The System automatically turns on, tunes into the most recent station, and starts recording on deck B when the timer-on time comes. Then, when the timer-off time comes, the System automatically turns off. The timer-on time and timer-off time remain stored in memory until you reset them or disconnect the AC power cord.

# USING THE TIMER

## Setting the Daily Timer

With Daily Timer, you can wake up to music or your favorite radio program. You can set Daily Timer whether the System is turned on or off.

### Operation

1. Press the **TIMER** button once.
2. **DAILY** will start to blink on the display. Press **TIMER** once more to set the Daily Timer. The **ON TIME** and hour spaces will start to blink. Use the **◀PREV** button to forward or reverse the hours, and press **SET**.
3. Use the **▶NEXT** button to set the minutes, and press the **SET** button again.
4. The **OFF TIME** and hour spaces will start to blink. Set the **OFF TIME** the same way you set the **ON TIME**.
5. After you set the minutes of the **OFF TIME**, "SOURCE" will appear on the screen. Press the **▶NEXT** button to select the source you wish to use. To select a source, press the **▶NEXT** button. When the source you want to use is blinking press the **SET** button.

**CD:** When you choose CD as a source "DISC —" will appear in the display. To choose other discs use the **▶NEXT** button. When the correct disc is displayed press the **SET** button. Next "TRACK —" will appear in the display. Use the **▶NEXT** button to choose the track you want to start from.

**Tape:** When you choose tape as a source, "VOLUME" will appear in the display. Adjust the volume with the **▶NEXT** button. Now "TIMER OK" will appear in the display. (If tapes are in both decks B first.)

**FM or AM:** When you choose FM or AM as a source, "VOLUME" will appear in the display. Adjust the volume with the **▶NEXT** button. Now "TIMER OK" will appear in the display. The System automatically turns off after the specified time length passes.

To change the source or time for Daily Timer, press the **TIMER** button and then press it again and "ON TIME" and the time will start to blink. Now you can reset the timer and source.

To cancel the Daily Timer, press the **TIMER** button and then press the **STOP/CANCEL** button while "DAILY" is blinking on the display.

To turn the Daily Timer back on, press the **TIMER** button and then press the **SET** button while "DAILY" is blinking on the display.

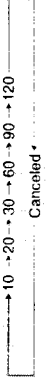
### Note

- If there is a power failure the clock loses the setting and the display shows "0:00." You need to reset the clock.

## Setting the Sleep Timer

With Sleep Timer, you can fall asleep to music. You can set Sleep Timer when the unit is turned on.

### Operation

1. Press **SLEEP** on the remote control. The **SLEEP** indicator starts blinking in the display. Each time you preset the button, the time length changes as follows: 

2. Wait for about 6 seconds after specifying the time length. The **SLEEP** indicator stops blinking and remains lit.

To check the remaining time until the timer-off time, press **SLEEP** once so that the remaining time until the shut-off time appears for about 5 seconds.

To change the timer-off time, press **SLEEP** repeatedly until the desired time length appears in the display.

To cancel the Sleep Timer, press **SLEEP** repeatedly so that the **SLEEP** indicator goes off in the display or turn off the System.

### Note

The System automatically turns off after the specified time length passes.

# MAINTENANCE

English

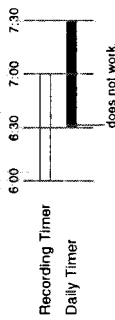
## USING THE TIMER

### Timer priority

Since each timer can be set separately, you may wonder what happens if the setting for these timers overlap. Here are the priorities for each timer.

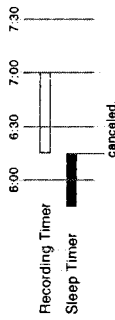
**Recording Timer has priority over Daily Timer and Sleep Timer.**

If the Daily Timer is set to come on while the Recording Timer is operating, the Daily Timer will not come on at all.



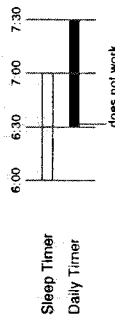
does not work.

If Recording Timer is set to come on while the Sleep Timer is operating, the Sleep Timer will be canceled several seconds before Recording Timer comes on.



canceled.

**Sleep Timer has priority over Daily Timer.**  
If Daily Timer is set to come on while the Sleep Timer is operating, the Daily Timer will not come on at all.



does not work.

Therefore, the priority is like this —

**Recording Timer > Sleep Timer > Daily Timer**

### Handling compact discs

When handling a compact disc, do not touch the surface of the disc (reflective silver side — the side without the label). Since compact discs are made of plastic, they are easily damaged. If a disc gets dirty, dusty, scratched or warped, the sound will not be picked up correctly and, in addition, such a disc may cause the CD player to malfunction.



#### Even on label side

Do not damage the label side, slick paper to or use any adhesive on its surface.

### Handling cassette tapes



- If the tape is loose in its cassette, take up the slack by inserting a pencil in one of the reels and rotating.
- If the tape is loose, it may get stretched, cut, or caught in the cassette.



- Be careful not to touch the tape surface.



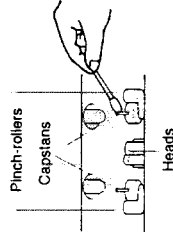
- Avoid the following places to store the tape:
  - In dusty places
  - In direct sunlight or heat
  - In moist areas
  - Near a magnet

### Cassette decks

If the heads, capstans, and pinch-rollers of the cassette decks become dirty, the following will occur:

- Impaired sound quality
- Discontinuous sound
- Fading
- Incomplete erasure
- Difficulty in recording

**To clean the heads, capstans, and pinch-rollers**  
Use a cotton swab moistened with alcohol.



**To demagnetize the heads**  
Turn off the unit, and use a head demagnetizer (available at electronics and record shops).

### Maintenance of discs

If there are fingerprints or other dirt adhering to a disc, wipe it with a soft dry cloth, moving from the center outwards. If a disc is difficult to clean, wipe it with a cloth moistened with water. Never use record cleaners, petrol, alcohol or any anti-static agents.



#### CAUTION

Sometimes during play noise or images may be garbled. This is sometimes due to the disc. (It may not be up to industry standards.) These symptoms are caused by the discs, not by the malfunction of the System. **DO NOT** use any solvent — such as conventional record cleaner, spray, thinner, or benzine — to clean the disc.

# TROUBLESHOOTING

## Troubleshooting

If you are having a problem with your System, check this list for a possible solution before calling for service. If you cannot solve the problem from the hints given here, or the System has been physically damaged, call a qualified person, such as your dealer, for service.

Symptom	Cause	Action
No sound is heard.	Connections are incorrect or loose.	Check all connections and make corrections. (See pages 2 to 4.)
Hard to listen to broadcasts because of noise.	<ul style="list-style-type: none"> <li>Antennas are disconnected.</li> <li>The AM loop antenna is too close to the System.</li> <li>The FM antenna is not properly extended and positioned.</li> </ul>	<ul style="list-style-type: none"> <li>Reconnect the antennas correctly and securely.</li> <li>Change the position and direction of the AM loop antenna.</li> <li>Extend the FM antenna at the best position.</li> </ul>
The disc sound is discontinuous.	The disc is scratched or dirty.	Clean or replace the disc. (See page 1.)
The disc sound loses stereo effect.	The Lch MONO mode is activated.	Press KARAOKE on the front panel to restore the stereo effect.
The pictures from the CD player is distorted.	When you pause or advance the pictures manually, the pictures are distorted. This is not a malfunction.	
The disc tray does not open or close.	The AC power cord is not plugged in.	Plug the AC power cord.
The disc does not play.	The disc is placed upside down.	Place the disc with the label side up.
The cassette holders cannot be opened.	Power supply from the AC power cord has been cut off while the tape was running.	Turn on the System.
Impossible to record.	Small taps on the back of the cassette are removed.	Cover the holes with adhesive tape.
Operations are disabled.	The built-in microprocessor may malfunction due to external electrical interference.	Unplug the AC power cord and then plug it back in.
Unable to operate the System from the remote control.	<ul style="list-style-type: none"> <li>The path between the remote control and the remote sensor on the unit is blocked.</li> <li>The batteries are exhausted.</li> </ul>	<ul style="list-style-type: none"> <li>Remove the obstruction.</li> <li>Replace the batteries.</li> </ul>

English

# SPECIFICATIONS

<b>CA-V605T</b>	
<b>Amplifier</b>	
Output power (IEC268-3/DIN)	47 watts per channel, min. RMS, both channels driven into 6Ω at 1kHz with no more than 0.9% total harmonic distortion.
Audio input sensitivity and impedance (at 1MHz)	MD/DCC 900mV/47kΩ AUX 300mV/47kΩ MIC 1, MIC 2 2.0mV/10kΩ
Audio output level/impedance (at 1MHz)	MD/DCC 200mV/2.0kΩ
Video output level (at 1 Vp-p input)	VIDEO OUT 1.0Vp-p/75Ω
Speakers/Impedance	SPEAKERS 6 - 16Ω
<b>Tuner</b>	
FM tuning range	87.50 - 108.00MHz
AM tuning range	531 - 1602kHz (at 9kHz channel spacing) 530 - 1600kHz (at 10kHz channel spacing)
<b>Cassette deck</b>	
Frequency response	Normal (type 1) 30 - 15000Hz CrO <sub>2</sub> (type 2) 30 - 16000Hz
Wow and flutter	+0.3% W.PEAK (EIAJ) 0.15% WRMS
<b>CD player</b>	
Wow and flutter	Unmeasurable
Available disc type	Audio CD, CD-G, video CD
<b>General</b>	
Power requirements	AC110/127/220/230 - 240V <sup>~</sup> , adjustable with the voltage selector, 50/60Hz
Power consumption	110 watts (during operation)
Max. power consumption	20 watts (during standby)
Dimensions (approx.)	380 watts (Taiwan only) 245 x 270 x 302.5 mm (W/H/D)
Mass (approx.)	9 11/16 x 10 11/16 x 11 15/16 in. 6.3 kg (13.9 lbs.)

**-MEMO-**

## Description of the ICs

### ■ MN172412JAAL( IC701) : System Controller

#### 1. Terminal layout

42 ~ 22
43                      21
}                      }
63                      1
64 ~ 84

#### 2. Key matrix

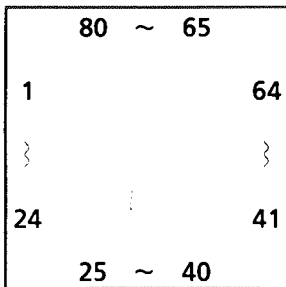
	KEY IN 0 (49pin)	KEY IN 1 (50pin)	KEY IN 2 (51pin)		KEY IN 0 (49pin)	KEY IN 1 (50pin)	KEY IN 2 (51pin)
1G (3pin)	PROGRAM/ RANDOM (S701)	EDIT (S702)	REPEAT RANDOM (S703)	6G (8pin)	CD (S716)	REC (S717)	◀◀ (S718)
2G (4pin)	OPEN / CLOSE 1 (S704)	OPEN / CLOSE 2 (S705)	OPEN / CLOSE 3 (S706)	7G (9pin)	FM / AM (S719)	DUBBING (S720)	STOP / CLEAR (S721)
3G (5pin)	DISC 1 (S707)	DISC 2 (S708)	DISC 3 (S709)	8G (10pin)	TAPE (S722)	DOLBY B NR (S723)	▶▶ (S724)
4G (6pin)	KARAOKE (S710)	SOUND MODE (S711)	BASS (S712)	9G (11pin)	MD/ AUX (S725)	REVERSE MODE (S726)	▶▶  (S727)
5G (7pin)	DEMO / SET (S713)	CD REC START (S714)	◀◀ (S715)	10G (12pin)	POWER (S728)	A/B (S729)	CLOCK TIMER (S730)

#### 3. Terminal Function

Pin No.	Symbol	I/O	Functions and Operations	Pin No.	Symbol	I/O	Functions and Operations
1	S11	O	FL Segment control output	43	DATA	O	Data signal input to IC702,401,081
2	S12	O	FL Segment control output	44	RMOUT	O	Infrared ray LED output for IllumiMagic compu play
3	1G	O	FL Grid control output(Key matrix output)	45	COMCLK	I	Clock signal input from IC751
4	2G	O	FL Grid control output(Key matrix output)	46	COMDT1	I	Data signal input from IC751
5	3G	O	FL Grid control output(Key matrix output)	47	COMDT2	O	Data signal output for IC751
6	4G	O	FL Grid control output(Key matrix output)	48	RMIN	I	Remote control signal input
7	5G	O	FL Grid control output(Key matrix output)	49	KI0	I	Key matrix input
8	6G	O	FL Grid control output(Key matrix output)	50	KI1	I	Key matrix input
9	7G	O	FL Grid control output(Key matrix output)	51	KI2	I	Key matrix input
10	8G	O	FL Grid control output(Key matrix output)	52	COMRDY	I	Redy signal input from IC851
11	9G	O	FL Grid control output(Key matrix output)	53	CE	I	Chip enable to IC481
12	10G	O	FL Grid control output(Key matrix output)	54	JOG IN 1	I	Input 1 of JOG Pulse
13	11G	O	FL Grid control output	55	JOG IN 2	I	Input 2 of JOG Pulse
14	12G	O	FL Grid control output	56	IFDATA	I	Data signal input from IC121
15	S13	O	FL Grid control output	57	TCLK	O	Clock signal output for IC121
16	S14	O	FL Grid control output	58	TDATA	O	Data signal output for IC121
17	S15	O	FL Segment control output	59	TCE	O	Thip enable for IC121
18	S16	O	FL Segment control output	60	/INH	I	Inhibit signal input
19	S17	O	FL Segment control output	61	SPK	O	Speaker relay control signal output
20	S18	O	FL Segment control output	62	SCL	O	Clock signal output for IC401
21	V <sub>PP</sub>	--	Power supply(-Vpp)	63	SDA	O	Data signal output for IC401
22	S19	O	FL Segment control output	64	DSP STB	O	STB signal for IC081
23	S20	O	FL Segment control output	65	STB	O	STB signal for IC401
24	S21	O	FL Segment control output	66	S.MUTE	O	S.MUTE control signal
25	S22	O	FL Segment control output	67	POWER	O	Power ON/OFF control signal
26	S23	O	FL Segment control output	68	RESET	I	System reset signal input
27	S24	O	FL Segment control output	69	X1		Connection of the GND
28	S25	O	FL Segment control output	70	X2	---	
29	S26	O	FL Segment control output	71	V <sub>SS</sub>	---	Connection of the GND
30	S27	O	FL Segment control output	72	OSC2	---	Oscillation terminal (6MHz)
31	S28	O	FL Segment control output	73	OSC1	---	Oscillation terminal (6MHz)
32	S29	O	FL Segment control output	74	V <sub>DD</sub>	---	Power supply(+ 5V)
33	S30	O	FL Segment control output	75	S1	O	FL Segment control output
34	S31	O	FL Segment control output	76	S2	O	FL Segment control output
35	S32	O	FL Segment control output	77	S3	O	FL Segment control output
36	S33	O	FL Segment control output	78	S4	O	FL Segment control output
37	S34	O	FL Segment control output	79	S5	O	FL Segment control output
38	S35	O	FL Segment control output	80	S6	O	FL Segment control output
39	S36	O	FL Segment control output	81	S7	O	FL Segment control output
40	STB	O	STB signal to IC702	82	S8	O	FL Segment control output
41	CLK	O	Clock signal to IC702,481,081	83	S9	O	FL Segment control output
42	SDI	I	Data signal input from IC481	84	S10	O	FL Segment control output

## ■ MN6433726SC11F (IC851) : Deck & CD Controller

### 1. Terminal layout



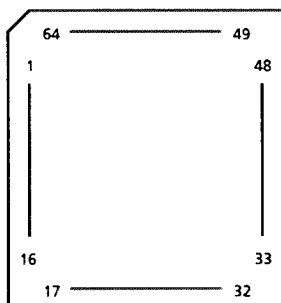
### 2. Pin Functions

Pin No.	Symbol	I/O	Function	Pin No.	Symbol	I/O	Function
1	F REC	I	FREC switch detect input	41		--	Connection to the VCC
2	BEQ	I	Play equalizer control	42		--	Connection to the VCC
3	R REC	I	RREC switch detect input	43		--	Connection to the VCC
4	BPACK	I	BPACKswitch detect input	44	RMT	O	Recording mute signal output
5	AV <sub>SS</sub>	--	Connection to the ground	45	PBEQ	O	Play equalizer select output
6	TEST	--	Connection to the ground	46	AMT	O	It is "H" when Deck A is not playing
7	X2	--	Non Connection	47	PB/REC	O	Rec. P.B select signal output
8	X1	--	Connection to the +5V	48	NR	O	It is "H" when NR recording
9	V <sub>SS</sub>	--	Connection to the ground	49	FADE	O	FADE mode control
10	OSC1	--	Oscillation terminal	50	OMT	O	Dack mute signal output
11	OSC2	--	Oscillation terminal	51	BPLZ	O	B mech.pranger control output
12	RESET	I	System reset signal input	52	APLZ	O	A mech.pranger control output
13	HREQ	I	Req signal to IC111	53	CAPN	O	Capstan (ON/OFF) control
14	DCS IN	I	DCS signal input	54	BMT	O	It is "H" when Deck B is not playing
15	DCS OUT	O	DCS signal output	55	REC	O	It is "H" when recording
16	SCK	O	CLock signal output for changer $\mu$ -com	56	BIAS	O	REC bias ON/OFF control
17	CHST	O	Strove signal output for changer $\mu$ -com	57	V <sub>CC</sub>	--	+5V
18	DATA	O	Data signal output for changer $\mu$ -com	58	RESTSW	I	CD mech. rest switch input
19	REQI	I	Redy signal input from changer $\mu$ -com	59	MLD	O	Non connection
20		--	Connection to the V <sub>CC</sub>	60	SOCK	O	Non connection
21		--	Connection to the V <sub>CC</sub>	61	MCLK	O	$\mu$ -com comand clock signal output
22		--	Connection to the V <sub>CC</sub>	62	MDATA	O	$\mu$ -com comand datasignal output
23	SENSE	--	PULL UP	63	DETECT	I	Disc detect input
24	DECKAI	O	Indication control	64	LSI ON	O	CD LSI Power output control
25	DECKBI	O	Indication control	65	VCDRST	O	Reset signal for IC111
26	REVI	O	Indication control	66	COMRDY	O	Redy signal output
27	FWDI	O	Indication control	67	COMCLK	O	$\mu$ -com comand clock signal output
28	RECI	O	Indication control	68	COMDT1	O	Data 1 signal from IC701
29	STDBYI	O	Indication control	69	COMDT2	O	Data 2 signal for IC701
30	CDGI	O	Indication control	70	SRCLK	O	Srial data clock output
31	VCDI	O	Indication control	71	HDATA	I	Srial data I/O
32	SUBQ	I	Sub code and Q register signal input	72	VDATA	O	Srial data I/O
33		--	Connection to the ground	73	MREQ	O	Req signal output
34		--	Connection to the ground	74	STATUS	I	Status signal input
35	VCDEMP	O	VIDEO CD Emp.	75	LSIRST	O	Reset signal output
36	HRDY	I	Redy signal to IC111	76	AV <sub>CC</sub>	--	+5V
37	MSIN	I	Music scan signal input	77	AEQ	O	Bias current and Playing EQ control
38	PSWA	I	A mech. play switch input	78	APACK	I	APACKswitch detect input
39	APLS	I	A mech. reel pulse input	79	PSWB	I	B mech. play switch input
40	VDISP	--	Connection to the ground	80	BPLS	I	B mech. reel pulse input



## ■ MN171601(IC111) : Host Micon

### 1. Terminal Layout

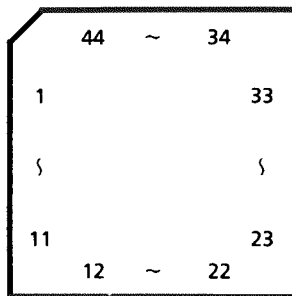


### 2. Terminal description

Pin No.	Symbol	I/O	Description	Pin No.	Symbol	I/O	Description
1	480 RST	O	Reset signal output	41~48	SD1~SD8	I/O	SRAM data input/output terminal
2	MREQ	I	Input the transfer request data signal	49	SR/W	O	Read / Write signal input/output
3	ACT INT	I	Interact 2 signal input	50	PAL60	--	Not use
4	G DET	I	CD-G Detect(CD-G:H)	51	RESET	I	Reset signal input
5	GND	--	GND	52	X1	--	Non connection
6	DTACK	I	Acknowledge signal input	53	X2	--	Non connection
7	GND	--	GND	54	V <sub>SS</sub>	--	Ground terminal
8	GND	--	GND	55	OSC2	--	Non connection
9	DIR		Input/Output control for IC114	56	OSC1	I	Clock input terminal
10	N/PAL	I	NTSC/PAL control signal output	57	V <sub>DD</sub>	--	Power supply
11	RGB	O	RGB control signal output	58	HREQ	O	Communication signal output
12	W/R	O	Read / Write signal input/output	59	SRCLK	I	Clock signal for Data request to IC201
13~15	HA0~HA2	O	Address signal output for MPEG LSI	60	M2HDT	O	Serial data output
16	DS	O	Data strobe signal output	61	H2MDT	I	Serial data input
17~24	HD0~HD7	O	Data terminal for MPEG LSI	62	HRDY	O	Communication signal output
25~39	SA0~SA14	O	SRAM address signal output	63	VCD/G	O	Video switch switching signal output
40	SCS	O	SRAM	64	PALCDG	O	PAL CDG control signal output

## ■ UPD65662GB-177(IC801) : Changer Controller

### 1. Terminal Layout

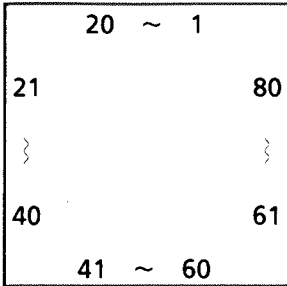


### 2. Pin Functions

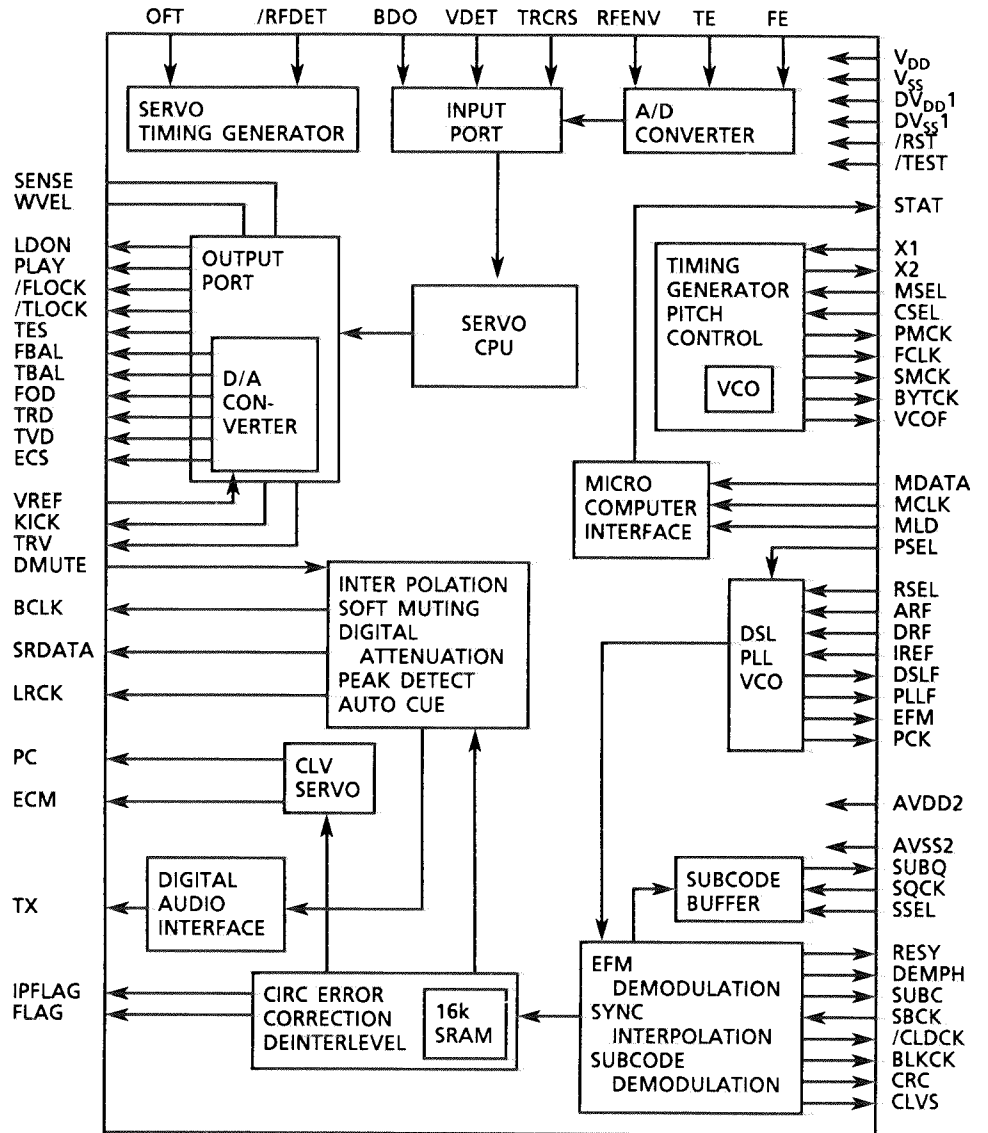
Pin No.	Symbol	I/O	Function	Pin No.	Symbol	I/O	Function
1	NC	--	Non connection	23	2SSW	I	TRAY2 switch input signal
2	NC	--	Non connection	24	1SSW	I	TRAY1 switch input signal
3	NC	--	Non connection	25	NC	--	Non connection
4	OS1I	I	Oscillation terminal	26	CAM0	I	Cam switch input signal for LCAM
5	OS1O	O	Oscillation terminal	27	CAM1	I	Cam switch input signal for LCAM
6	OS2I	I	Oscillation terminal	28	CAM2	I	Cam switch input signal for LCAM
7	OS2O	O	Oscillation terminal	29	CAM3	I	Cam switch input signal for LCAM
8	NC	--	Non connection	30	CAM4	I	Cam switch input signal for RCAM
9	C25IN	I	Connected to C25OUT	31	CAM5	I	Cam switch input signal for RCAM
10	C25OUT	O	Connected to C25IN	32	CAM6	I	Cam switch input signal for RCAM
11	RESET	I	Reset signal input	33	CAM7	I	Cam switch input signal for RCAM
12	REQ	O	Output the "mecha. data request"	34	FIT	O	Connected to C50
13	DATA	I/O	Control,Status data I/O	35	C50	I	Connected to FIT
14	ST	I	Strobe signal input	36	LMUP	O	L motor control signal
15	CKS	I	Clock input	37	LMDWN	O	L motor control signal
16	SELECT	--	Connected to GND	38	C25	--	Non connection
17	GND	--	GND	39	V <sub>DD</sub>	--	Power supply terminal
18	CK	--	Connected to GND	40	C100	--	Non connection
19	1MSW	I	TRAY1 switch input signal	41	RMUP	O	R motor control signal
20	2MSW	I	TRAY2 switch input signal	42	RMDWN	O	R motor control signal
21	3MSW	I	TRAY3 switch input signal	43	NC	--	Non connection
22	3SSW	I	TRAY3 switch input signal	44	NC	--	Non connection

■ MN35510 (IC603) : DIGITAL SERVO & DIGITAL SIGNAL PROCESSER

1. Terminal Layout



2. Block Diagram



## 3. Description

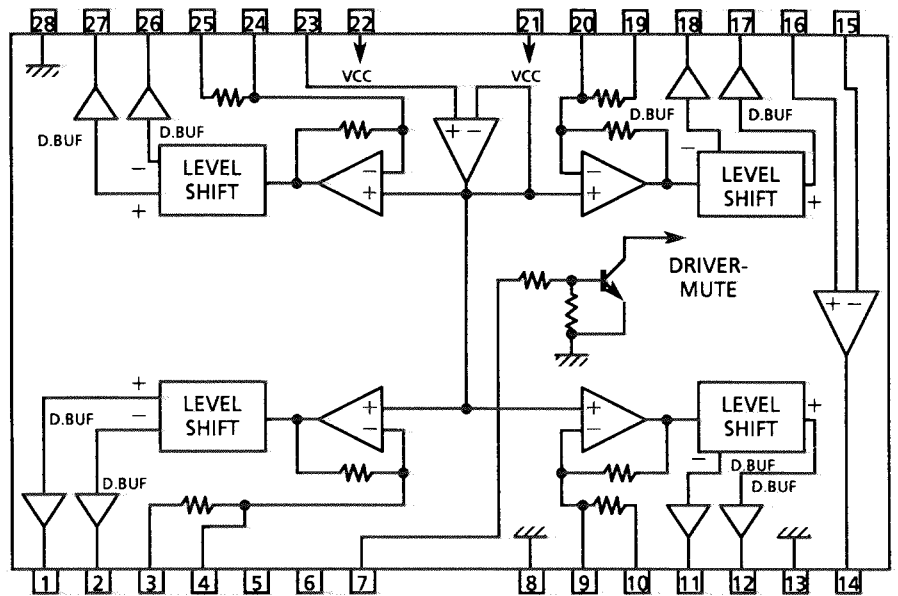
Pin No.	symbol	I/O	Description	Pin No.	symbol	I/O	Description
1	BCLK	O	Bit clock output pin for SRDATA	41	TES	O	Tracking error shunt signal output (H;shunt)
2	LRCK	O	L/R distinction signal output	42	PLAY	—	Not used
3	SRDATA	O	Serial data output	43	WVEL	—	Not used
4	DV <sub>DD</sub> 1	—	Power supply(Digital)	44	ARF	I	RF signal input
5	DV <sub>SS</sub> 1	—	Not used	45	IREF	I	Reference current input pin
6	TX	O	Digital audio interface signal	46	DRF	I	Bias pin for DSL
7	MCLK	I	μ-com command clock signal input (Data is latched at signal's rising point)	47	DSL F	I/O	Loop filter pin for DSL
8	MDATA	I	μ-com command data input	48	PLL F	I/O	Loop filter pin for PLL
9	MLD	I	μ-com command load signal input	49	VCOF	—	Not used
10	SENSE	O	Sense signal output (OFT,FESL,NACEND,NAJEND,POSAD,SFG)	50	AV <sub>DD</sub> 2	—	Power supply (Analog)
11	FLOCK	O	Lock signal for Focus L : pull	51	AV <sub>SS</sub> 2	—	Connected to GND(Analog)
12	TLOCK	O	Lock signal for Tracking L : pull	52	EFM	—	EFM signal output
13	BLKCK	O	Subcode · block · clock signal output	53	PCK	—	Not used
14	SQCK	I	Outside lock for sub-code Q resister input	54	PDO	—	Not used
15	SUBQ	O	Sub-code Q-code output	55	SUBC	O	Subcode serial output data output
16	DMUTE	—	Connected to GND	56	SBCK	O	Clock input for subcode serial output
17	STATUS	O	Status signal (CRC,CUE,CLVS,TTSTOP,ECLV,SQOK)	57	V <sub>SS</sub>	—	Connected to GND(for X'tal cscillation circuit)
18	RST	I	Reset signal input (L :Reset)	58	X1	I	Input of 16.9344MHz X'tal oscillation circuit
19	SMCK	—	Not used	59	X2	O	Output of X'tal oscillation circuit
20	PMCK	—	Not used	60	V <sub>DD</sub>	—	Power supply(for X'tal cscillation circuit)
21	TRV	O	Traverse enforced output	61	BYTCK	—	Not used
22	TVD	O	Traverse drive output	62	CLDCK	O	Subcode · Frame · Clock signal output
23	PC	—	Not used	63	FCLK	O	Not used
24	ECM	O	Spindle motor drive signal (Enforced mode output) 3-State	64	IPPLAG	O	Interpolation flag output H : Interpolation
25	ECS	O	Spindle motor drive signal (Servo error signal output)	65	FLAG	—	Not used
26	KICK	O	Kick pulse output	66	CLVS	—	Not used
27	TRD	O	Tracking drive output	67	CRC	—	Not used
28	FOD	O	Focus drive output	68	DEMPH	—	Not used
29	V <sub>REF</sub>	I	Reference voltage input pin for D/A output block(TVD,FOD,FBAL,TBAL)	69	RESY	—	Not used
30	FBAL	O	Focus Balance adjust signal output	70	IOSEL	—	Connected to GND
31	TBAL	O	Tracking Balance adjust signal output	71	TEST	—	Pull up
32	FE	I	Focus error signal input(Analog input)	72	AVDD1	—	Power supply (Digital)
33	TE	I	Tracking error signal input(Analog input)	73	OUT L	O	Lch audio output
34	RF ENV	I	RF envelope signal input(Analog input)	74	AV <sub>SS</sub> 1	—	Connected to GND
35	VDET	I	Vibration detect signal input(H : detect)	75	OUT R	O	Rch audio output
36	OFT	I	Off track signal input(H : off track)	76	RSEL	—	Pull up
37	TRCRS	I	Track cross signal input	77	CSEL	—	Connected to GND
38	RFDET	I	RF detect signal input (L : detect)	78	PSEL	I	Bit clock input
39	BDO	I	BDO input pin (H : drop out)	79	MSEL	I	Bit serial PCM audio signal input
40	LDON	O	Laser ON signal output (H : on)	80	SSEL	I	L / R clock input

■ BA6397FPW(IC602) : BTL DRIVER

1. Terminal Layout

CH1-OUT A	1	28	GND
CH1-OUT B	2	27	CH4-OUT A
CH1-IN A	3	26	CH4-OUT B
CH1-IN B	4	25	CH4-IN A
TR-B	5	24	CH4-IN B
VREG-OUT	6	23	BIAS IN
MUTE	7	22	VCC
GND	8	21	VCC
CH2-IN B	9	20	CH3-IN B
CH2-IN A	10	19	CH3-IN A
CH2-OUT B	11	18	CH3-OUT B
CH2-OUT A	12	17	CH3-OUT A
GND	13	16	OP IN+
OP OUT	14	15	OP IN-

2. Block Diagram

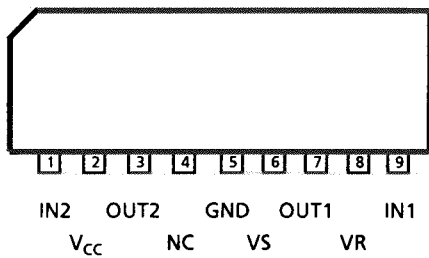


3. Description

Pin No.	Symbol	I/O	Description
1	CH1-OUT A	O	Focus drive output
2	CH1-OUT B	O	
3	CH1-IN A	—	Non connection
4	CH1-IN B	I	FOD input
5	TR-B	O	Transistor control
6	VREG-OUT	O	Reference voltage output
7	MUTE	I	Mute signal input pin
9	CH2-IN B	I	Spindle motor drive input Feed motor drive input
20	CH3-IN B	I	
11	CH2-OUT B	O	Spindle motor drive output
12	CH2-OUT A	O	
24	CH4-IN B	I	Feed motor drive input

Pin No.	Symbol	I/O	Description
8,13,28	GND	—	GND
10	CH2-IN A	—	Non connection
14	OPOUT		
15	OPIN-		
16	OPIN+		
19	CH3-IN A		
25	CH4-IN A		
17	CH3-OUT A	O	Feed motor drive output
18	CH3-OUT B		
21,22	Vcc	—	Power supply
23	BIAS IN	I	Input pin of Bias
26	CH4-OUT B	O	Tracking drive output
27	CH4-OUT A		

■ TA8409S (IC802,IC803) : DC Motor driver



INPUT		OUTPUT		MODE
IN1	IN2	OUT1	OUT2	
0	0	∞	∞	stop
1	0	H	L	open
0	1	L	H	close
1	1	L	L	break

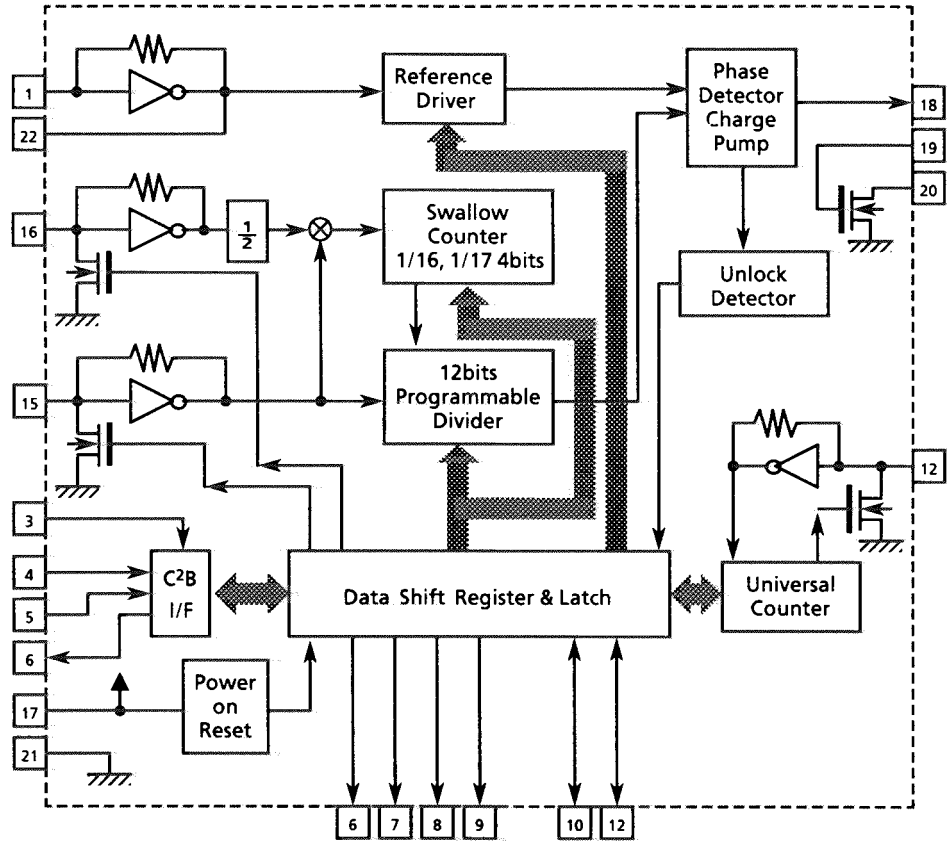
∞--High impedance

■ LC72131 (IC121) : PLL Synthesizer

1. Terminal Layout

XIN	1	22	XOUT
NC	2	21	VSS
CE	3	20	LPF OUT
DI	4	19	LPF IN
CK	5	18	PD
DO	6	17	VDD
FM	7	16	FM OSC
AW	8	15	AM OSC
LW	9	14	NC
AUTO/MONO	10	13	IF REQ
No use	11	12	FM/AM IF

2. Block Diagram

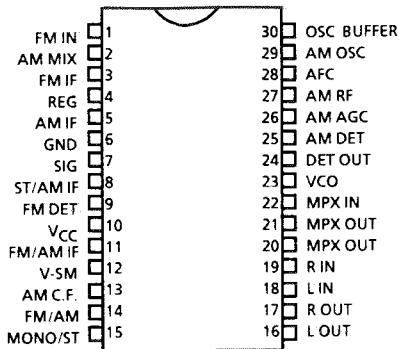


3. Pin Functions

Pin No.	Symbol	I/O	Functions	Pin No.	Symbol	I/O	Functions
1	X in	I	Crystal oscillator (7.2MHz).	12	FM/AM IF	I	Universal counter input
3	CE	I	Fix the chip enable to "H" when inputting (DI) and outputting (DO) the serial data.	13	IF REQ	O	Output the "IF-signal request" to IC102
4	DI	I	Receive the control data from the controller (IC701).	15	AM IN	I	Input the local oscillator signal of AM.
5	CK	I	This clock is used to synchronize data when transmitting the data of DI and DO.	16	FM IN	I	Input the local oscillator signal of FM.
6	DO	O	Transmit the data from LC72131 to the controller which is synchronized with CK.	17	V <sub>DD</sub>	--	This is a terminal of power supply.
7	FM	O	It is "L" on FM mode.	18	PD	O	PLL charge pump output : When the local oscillator signal frequency is higher than the reference frequency high level signals will output. When it is lower than the reference frequency, low level signals will output. When it is same as reference frequency signals, it will be floating.
8	MW	O	It is "L" on MW mode.	19	LPF IN	I	Transistor used for the PLL active low-pass filter
9	LW	O	It is "H" on LW mode.	20	LPF OUT	O	Transistor used for the PLL active low-pass filter
10	AUTO/MONO	O	It is "H" on monaural, "L" on auto.	21	V <sub>SS</sub>	--	Connected to GND
11	NO USE	O		22	X out	O	Crystal oscillator (7.2MHz).

LA1836M (IC102) : FM AM IF AMP & detector, FM MPX Decoder

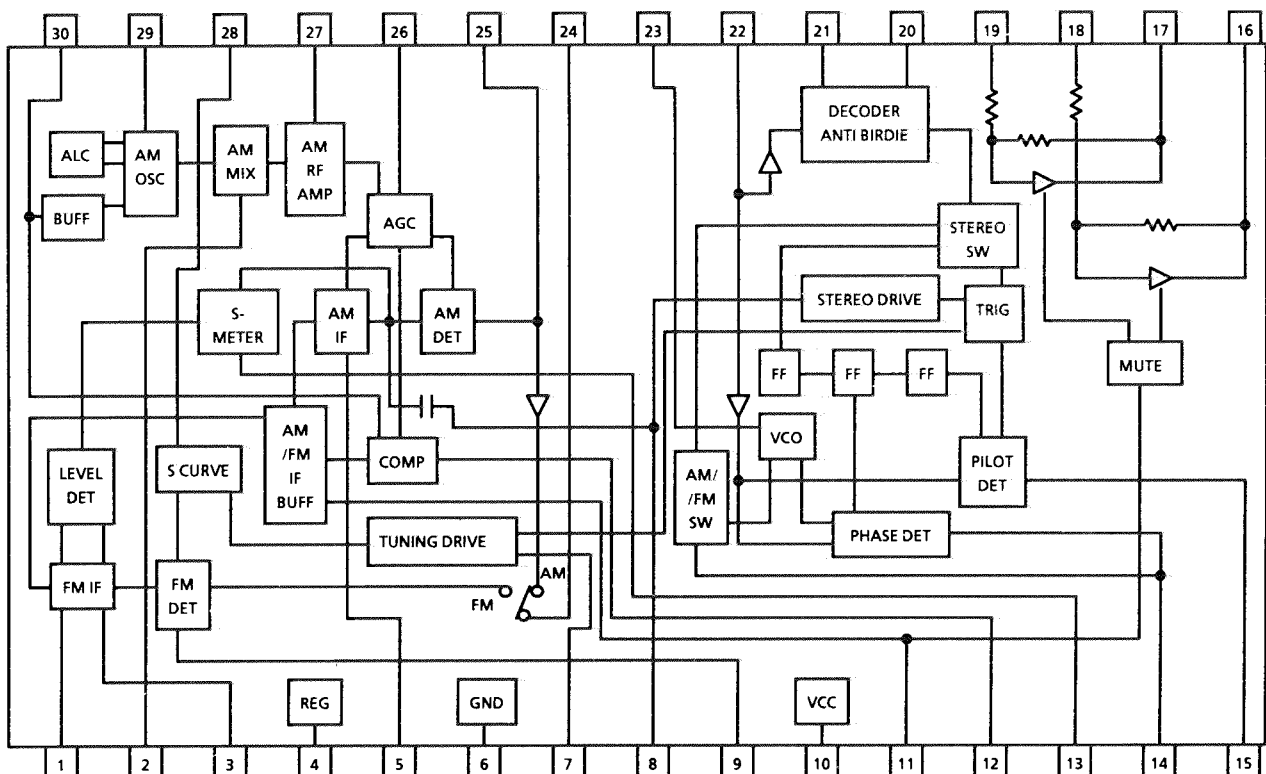
1. Terminal Layout



3. Pin Function

Pin No.	Symbol	I/O	Function
1	FM IN	I	This is an input terminal of FM IF Signal.
2	AM MIX	O	This is an output terminal for AM mixer.
3	FM IF	I	Bypass of FM IF
4	REG	—	Register value between pin4 and pin28 desides the frequency width of the input signal.
5	AM IF	I	Input of AM IF Signal.
6	GND	—	This is the device ground terminal.
7	SIG	O	When the set is tuning , this terminal becomes "L".
8	ST/AM IF	O	Stereo indicator output. Stereo : "L", Mono : "H"
9	FM DET	—	FM detect transformer.
10	V <sub>CC</sub>	—	This is the power supply terminal.
11	FM/AM IF //MUTE	O/I	When the signal of IF REQ of IC121(LC7218) appear, the signal of FM/AM IF output. //Muting control input.
12	VSM	O	S Meter output and adjust AM SD sensitivity.
13	AM C.F.	O	This is a terminal of AM ceramic filter.
14	FM/AM	I	Change over the FM / AM input. "H" : FM, "L" : AM
15	MONO/ST	O	Stereo : "H", Mono : "L"
16	L OUT	O	Left channel signal output.
17	R OUT	O	Right channel signal output
18	L IN	I	Input terminal of the Left channel post AMP.
19	R IN	I	Input terminal of the Right channel post AMP.
20	MPX L OUT	O	Mpx Left channel signal output.
21	MPX R OUT	O	Mpx Right channel signal output.
22	MPX IN	I	Mpx input terminal.
23	VCO	I	Voltage controlled oscillator terminal.
24	DET OUT	O	AM/FM detection output.
25	AM DET	—	AM low cut adjustment.
26	AM AGC	I	This is an AGC voltage input terminal for AM.
27	AM RF	I	This is an input terminal for AM RF signal.
28	AFC	—	This is an output terminal of voltage for FM-AFC.
29	AM OSC	—	This is a terminal of AM Local oscillation circuit.
30	OSC BUFFER	O	AM Local oscillation Signal output.

2. Block Diagram

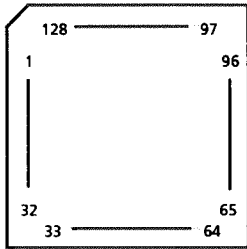


■ CL480(IC101) : MPEG decoder

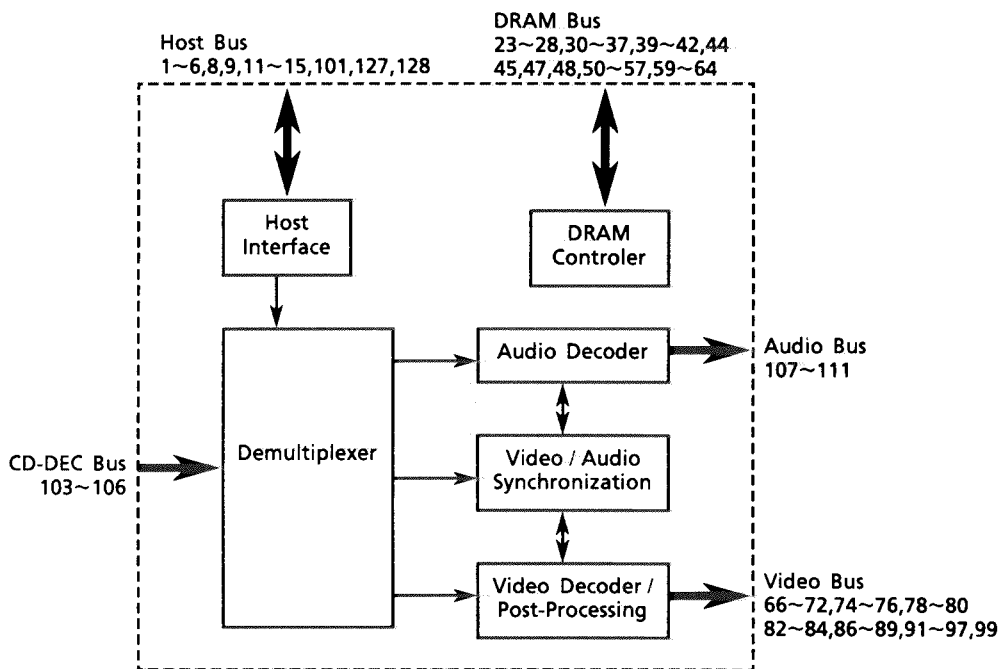
1. Functions

CL480 is MPEG-1 Audio/Video decoder

2. Terminal Layout



3. Block Diagram

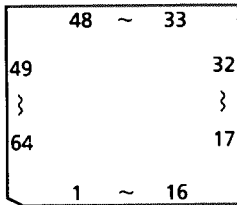




## 4. Terminal Discription

Pin No.	symbol	I/O	Function	Pin No.	symbol	I/O	Function
1	HA2	I	Host address terminal	78~80	VD10~VD12	O	Video data terminal (G2~4/Y2~4)
2	DS	I	Data strobe terminal	81	IO V <sub>DD</sub>	--	Power supllly for Input /Output
3	W/R	I	I/O read terminal	82~84	VD13~VD15	O	Video data terminal (G5~7 / Y5~7)
4	IRQ	O	Interact terminal	85	CKT V <sub>SS</sub>	--	Connected to GND
5	DTACK	O	Acknowledge data output	86~89	VD16~VD19	O	Video data terminal (B0~B3)
6	HD0	I/O	Host data terminal	90	IO V <sub>SS</sub>	--	Ground terminal for Input /Output
7	IO V <sub>DD</sub>	--	Power supllly for Input /Output	91~94	VD20~VD23	O	Video data terminal (B4~7)
8,9	HD1,2	I/O	Host data terminal	95	VSYNC	I/O	Vertical comparator / Composite comparator output
10	CKT V <sub>SS</sub>	--	Connected to GND	96	HSYNC	I/O	Horizontally synchronizing signal
11~15	HD3~HD7	I/O	Host data terminal	97	VOE	I	Video output enable signal
16	IO V <sub>SS</sub>	--	Ground terminal for Input /Output	98	VCO V <sub>DD</sub>	--	Power supllly of VCO
17	TEST	I	Test terminal	99	VCLK	I/O	Video clock terminal
18	XTL V <sub>SS</sub>	--	Oscillator grand terminal	100	VCO V <sub>SS</sub>	--	Ground of VCO
19	XTLIN	I	Oscillator input terminal	101	RESET	I	Reset signal input
20	XTLOUT	O	Oscillator output terminal	102	IO V <sub>SS</sub>	--	Ground terminal for input/output
21	XTL V <sub>DD</sub>	--	Power supllly for Oscillator	103	C2PO	I	Data error flag input
22	CKT V <sub>DD</sub>	--	Power supllly	104	CDLRCK	I	L / R word clock input
23~28	MD0~MD5	I/O	DRAM data / ROM data terminal	105	CDDATA	I	Bit serial data input
29	IO V <sub>DD</sub>	--	Power supllly for Input /Output	106	CDBCK	I	Bit clock output
30,31	MD6,7	I/O	DRAM data / ROM data terminal	107	DALRCK	O	L / R clock output
32,33	MCE0,1	O	Chip enable output for ROM bank	108	DADATA	O	Bit serial PCM audio signal output
34~37	MD8~MD11	I/O	DRAM data / ROM data terminal	109	DABCK	O	Bit clock output
38	IO V <sub>SS</sub>	--	Ground terminal for Input /Output	110	IO V <sub>DD</sub>	--	Power supllly for input/output
39~42	MD12~MD15	I/O	DRAM data / ROM address terminal	111	XCK	I	Bit clock input terminal from outside
43	5V V <sub>DD</sub>	--	Power supllly (+5V)	112	CKT V <sub>DD</sub>	--	Power supllly
44	LCAS	O	DRAM LCAS/ROM address terminal	113	PIO12	O	Interact 2 signal output
45	LCASIN	I	DRAM LCAS input	114	PIO11	O	Non connection
46	CKT V <sub>SS</sub>	--	GND	115	PIO10	I	Host enable signal input
47	MWE	O	DRAM write enable signal output	116	PIO9	I	Boot rom enable signal input
48	UCAS	O	DRAM UCAS/ROM address terminal	117	PIO8	O	Non conection
49	IO V <sub>DD</sub>	--	Power supllly for input/output	118	PIO7	O	DAC emphasis signal output
50	UCAS IN		DRAM UCAS input terminal	119	PIO6	I	CD-DA emphasis signal input
51,52	RAS0,1	O	DRAM RAS0,1 terminal	120	PIO5	O	Non connection
53~57	MA9~MA5	O	DRAM data / ROM address terminal	121	PIO4	O	FMV detect signal output
58	IO V <sub>SS</sub>	--	Ground terminal for Input /Output	122	PIO3	O	CD-DA Video CD select signal output Low : Video CD
59~63	MA4~MA0	O	DRAM data / ROM address terminal	123	5V V <sub>DD</sub>	--	Power supllly (+5V)
64	PIO0	O	ROM address extention terminal	124	PIO2	O	Non conection
65	IO V <sub>DD</sub>	--	Power supllly for Input /Output	125	IO V <sub>SS</sub>	--	Ground for input/output
66~72	VD0~VD6	O	Video data terminal (R0~6/CrCb0~6/YCrCb0~6)	126	PIO1	O	Non connection
73	IO V <sub>SS</sub>	--	Ground terminal for Input /Output	127	HA0	I	Host address input
74~76	VD7~VD9	O	Video data terminal (R7/CrCb7/YCrCb7)(G0,1/Y0,1)	128	HA1	I	Host address input
77	CKT V <sub>DD</sub>	--	Power supllly				

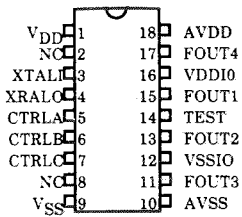
■ BU1417K(IC104) : DIGITAL RGB ENCODER  
1.Pin layout



## 2. Description

Pin No.	symbol	I/O	Description	Pin No.	symbol	I/O	Description
1	BOSD	I	OSD data input	33	SLABEB	--	Not used
2	GD0	I	G data input	34	ADDH	--	Not used
3	GD1	I	G data input	35	VREF	--	Reference voltage
4	GD2	I	G data input	36	CGND	--	GND
5	GD3	I	G data input	37	COUT	O	Chromatic output
6	GD4	I	G data input	38	VGND	--	GND
7	GD5	I	G data input	39	VOUT	O	Composite output
8	GD6	I	G data input	40	AV <sub>SS</sub>	--	GND
9	GND	--	GND	41	NC	--	Not used
10	GD7	I	G data input	42	IR	I	Sets DAC's output amplitude
11	BD0	I	B data input	43	AVDD	--	Power supply
12	BD1	I	B data input	44	YGND	--	GND
13	BD2	I	B data input	45	YOUT	O	Luminus output
14	BD3	I	B data input	46	G4FSC	--	Not used
15	OSDSW	I	Seu up the color input	47	GCLK	--	Not used
16	CDGSWB	I	Video CD/CD-G select signal input	48	YCOFF	--	GND
17	BD4	I	B data input	49	YFILON	--	GND
18	BD5	I	B data input	50	PALL60B	I	NTSC/PAL select signal input
19	BD6	I	B data input	51	VCLK	I	Clock signal input
20	BD7	I	B data input	52	RSTB	I	Reset signal input
21	GND	--	GND	53	CLKSW	I	
22	NTB	--	Not used	54	RD0	I	R data input
23	IM0	I	Select input mode	55	RD1	I	R data input
24	IM1	I	Select input mode	56	RD2	I	R data input
25	TEST1	I	Connected to GND	57	ROSD	I	OSD data input
26	TEST2	I	Connected to GND	58	RD3	I	R data input
27	CVSY	I	Vertical syncro signal input	59	RD4	I	R data input
28	HSY	I	Horizontal syncro signal input	60	RD5	I	R data input
29	PIXCLK	--	Not used	61	VDD	--	Power supply
30	BLKB	I	Data output possible	62	RD6	I	R data input
31	V <sub>DD</sub>	--	Power supply	63	RD7	I	R data input
32	INT	--	Not used	64	GOSD	I	OSD data input

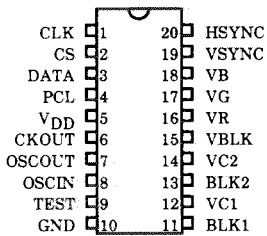
■ BU2173F(IC105): VCO  
1.Pin layout



2. Description

Pin No.	symbol	I/O	Description	Pin No.	symbol	I/O	Description
1	V <sub>DD</sub>	--	+5V	10	AVSS	--	GND
2	NC	--	Not used	11	FOUT3	O	Clock signal output3
3	XTALI	--	Oscillation terminal	12	VSSIO	--	GND
4	XTALO	--	Oscillation terminal	13	FOUT2	O	Clock signal output2
5	CTRLA	I	Output feqency control	14	TEST	--	GND
6	CTRLB	I	Output feqency control	15	FOUT1	O	Clock signal output1
7	CTRLC	I	Output feqency control	16	VDDIO	--	+5V
8	NC	--	GND	17	FOUT4	O	Clock signal output4
9	V <sub>SS</sub>	--	GND	18	AVDD	--	+5V

■ μPD6461GS-635(IC106): OSD  
1.Pin layout

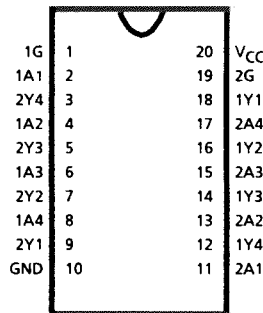


2. Description

Pin No.	symbol	I/O	Description	Pin No.	symbol	I/O	Description
1	CLK	I	Clock signal input	11	BLK1	O	Not used
2	CS	I	Able to transmit serial in L	12	VC1	O	Not used
3	DATA	I	Control data input	13	BLK2	O	Not used
4	PCL	I	Clear pin in power on	14	VC2	O	Not used
5	V <sub>DD</sub>	--	+5V	15	VBLK	O	Blanking signal output
6	CKOUT	O	Not used	16	VR	O	Character signal output
7	OSCOUT	O	Not used	17	VG	O	Character signal output
8	OSCIN	I	Dot Clock signal input	18	VB	O	Character signal output
9	TEST	--	GND	19	VSYNC	I	Vertical syncro signal input
10	GND	--	GND	20	HSYNC	I	Horizontal syncro signal input

■ HD74HCT244FP(IC113) : Line Driver

1. Terminal Layout

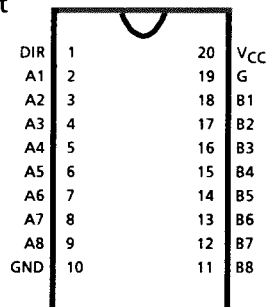


2. Function

1G or 2G	OPERATION
L	1A1~4 data to 1Y1~4 bus 2A1~4 data to 2Y1~4 bus
H	---

■ HD74HCT245FP(IC114) : Bus transceiver

1. Terminal Layout



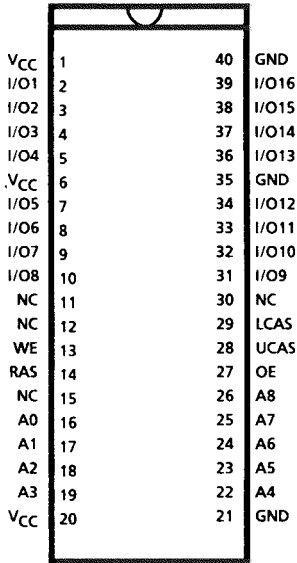
2. Function

G	DIR	OPERATION
L	L	B data to A bus
L	H	A data to B bus
H	X	---

X:Don't care

■  $\mu$ PD424260LE-70(IC103) : 4Mbit ·Dynamic RAM

1. Terminal Layout

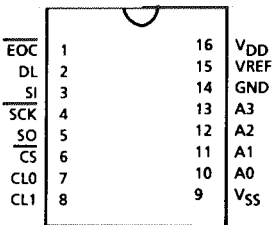


2. Terminal Description

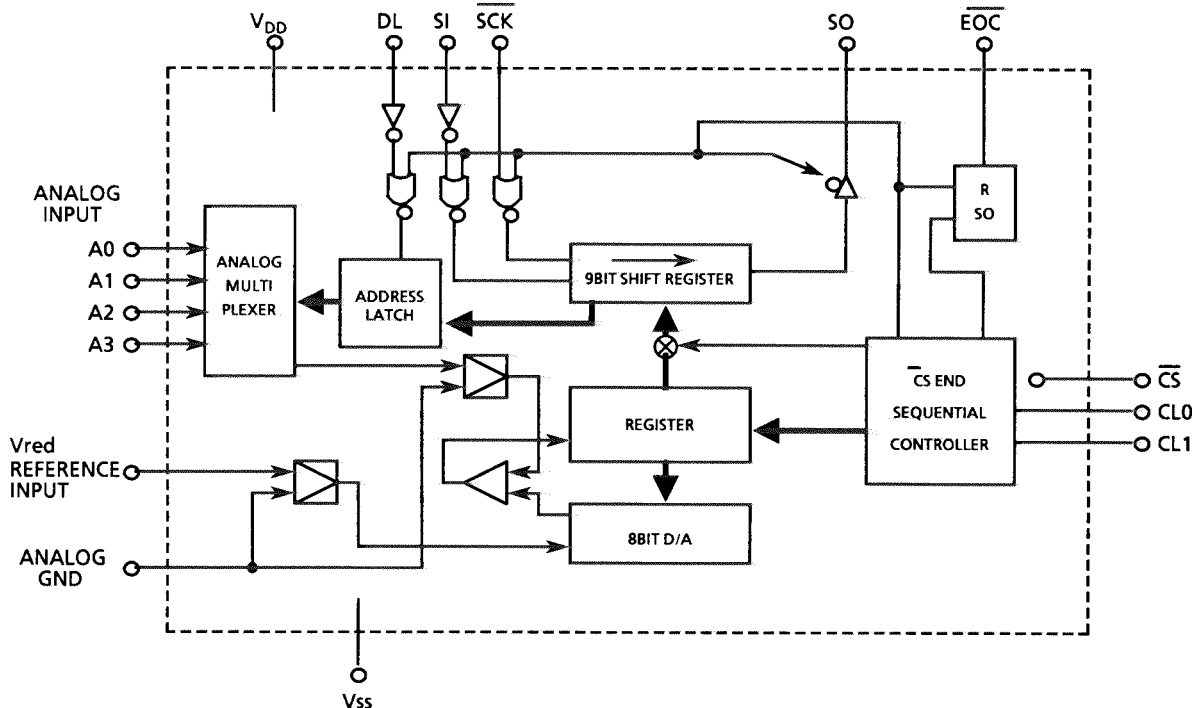
Pin No.	symbol	I/O	Description
1	V <sub>CC</sub>	--	Power supply
2~5	I/O1~I/O4	I/O	Data input/output
6	V <sub>CC</sub>	--	Power supply
7~10	I/O5~I/O8	I/O	Data input/output
11,12	NC	--	Non connection
13	WE	I	Write enable terminal
14	RAS	I	Load address strove terminal
15	NC	--	Non connection
16~19	A0~A3	I	Address input
20	V <sub>CC</sub>	--	Power supply
21	GND	--	GND
22~26	A4~A8	I	Address input
27	OE	I	Output enable terminal
28	UCAS	I	Column address strove terminal(upper)
29	LCAS	I	Column address strove terminal(lower)
30	NC	--	Non connection
31~34	I/O9~I/O12	I/O	Data input/output
35	GND	--	GND
36~39	I/O13~I/O16	I/O	Data input/output terminal
40	GND	--	GND

■  $\mu$ PD7001C(IC481): A/D Converter

1. Terminal Layout



2. Block Diagram

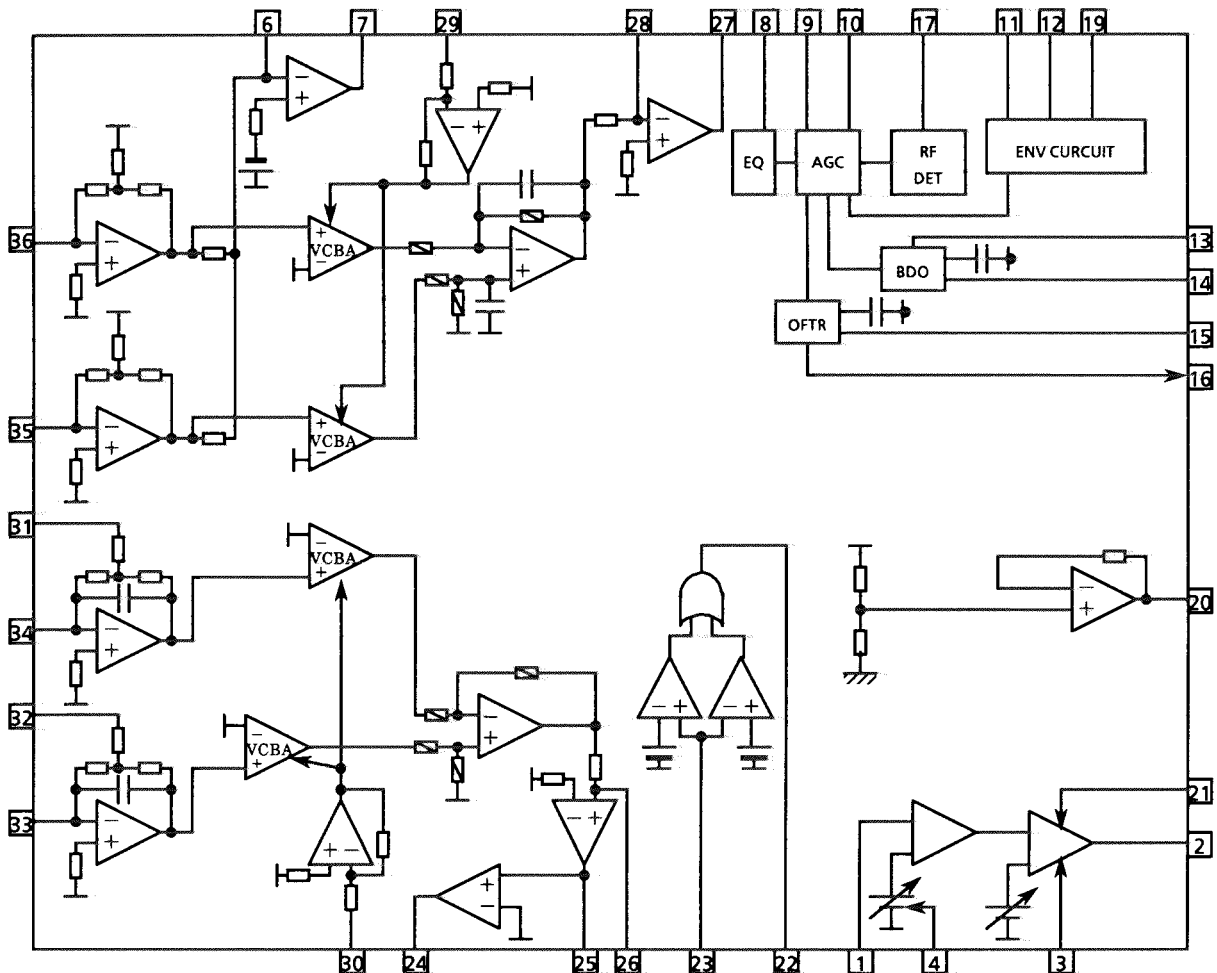


■ AN88065B (IC601) : RF & SERVO AMP

1. Terminal Layout

PD	1	36 PDAC
LD	2	35 PD8D
LDON	3	34 PDE
LDP	4	33 PDF
V <sub>CC</sub>	5	32 PDER
RF-	6	31 PDFR
RF OUT	7	30 TBAL
RF IN	8	29 FBAL
C.AGC	9	28 FE-
ARF	10	27 FE OUT
C.ENV	11	26 TE-
C.EA	12	25 TE OUT
CS BDO	13	24 CROSS
BDO	14	23 TE BPF
CS BRT	15	22 VDET
OFTR	16	21 LD OFF
/NRFDET	17	20 V <sub>REF</sub>
GND	18	19 ENV

2. Block Diagram



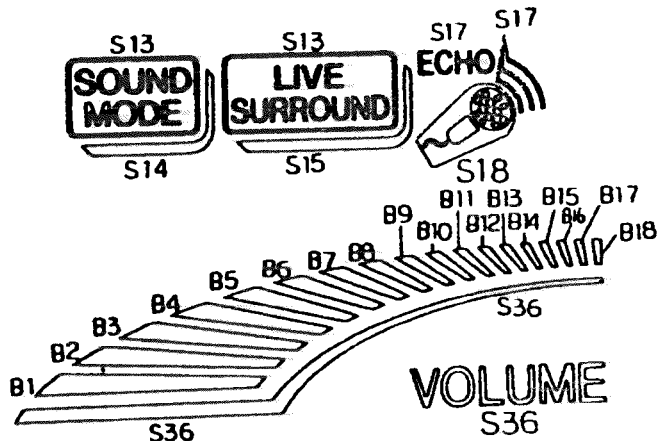
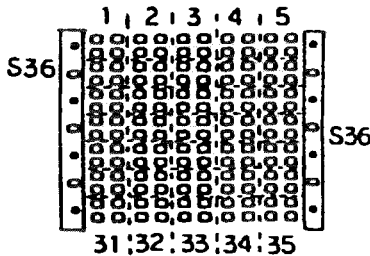
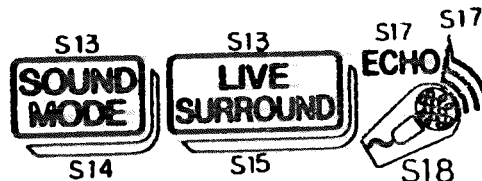
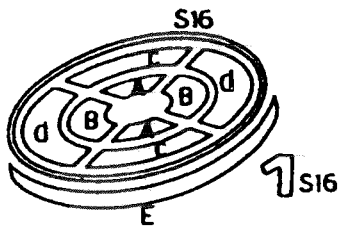
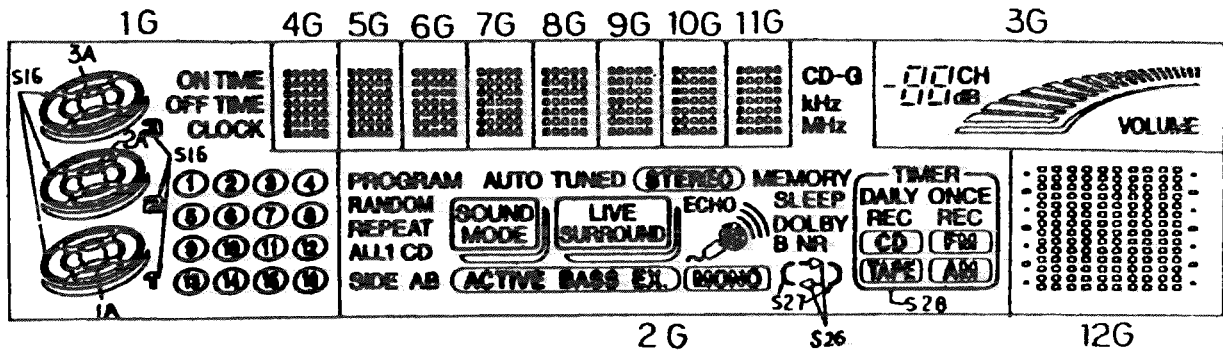
## 3. Functions

Pin No.	Symbol	I/O	Functions and operations
1	PD	I	APC amp input terminal
2	LD	O	APC amp output terminal
3	LD ON	I	APC ON/OFF control terminal
4	LDP	--	Connected to ground
5	V <sub>CC</sub>	--	Power supply
6	RF-	I	Inverse input pin for RF amp
7	RF OUT	O	RF amp output
8	RF IN	I	RF input
9	C.AGC	I/O	Connecting pin of AGC loop filter
10	ARF	O	RF output
11	C.ENV	I/O	A capacitor is connected to this terminal to detect the envelope of RF signal
12	C.EA	I/O	A capacitor is connected to this terminal to detect the envelope of RF signal
13	CS BDO	I/O	A capacitor is connected to detect the lower envelope of the RF signal
14	BDO	O	BDO output pin
15	CS BRT	I/O	A capacitor is connected to detect the lower envelope of the RF signal
16	OFTR	O	Of-track status signal output
17	/NRFDET	O	RF detection signal output
18	GND	--	Ground
19	ENV	O	Envelope output
20	V <sub>REF</sub>	O	Reference voltage output
21	LD OFF	--	Connect to ground
22	VDET	O	Vibration detection signal output
23	TE BPF	I	Input pin of tracking error through BPF
24	CROSS	O	Tracking error cross output
25	TE OUT	O	Tracking error signal output
26	TE-	I	Inverse input pin for tracking error amp
27	FE OUT	O	Output pin of focus error
28	FE-	I	Inverse input pin for focus error amp
29	FBAL	I	Focus balance control
30	TBAL	I	Tracking balance control
31	PDFR	--	Non connection
32	PDER	--	Non connection
33	PDF	I	I-V amp input
34	PDE	I	I-V amp input
35	PD BD	I	I-V amp input
36	PD AC	I	I-V amp input

# Internal Connections of FL Display

■ ELU0001-206 : (DI701)

## 1. Grid Layout



## 2. Pin Connections

PIN NUMBER	1	2	3	4	5	6	7	8	9	10	11	12	13	14	15	16	17	18	19	20	21	22	23	24	
ELECTRODE	F	F	F	N	P	P	P	P	P	P	P	P	P	P	P	P	N	N	N	N	N	N	N	1	2
	1	1	1	P	S1	S2	S3	S4	S5	S6	S7	S8	S9	S10	S11	S12	P	P	P	P	P	P	P	G	G

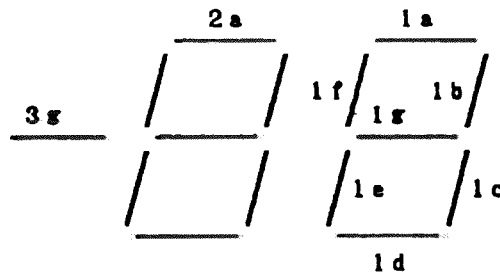
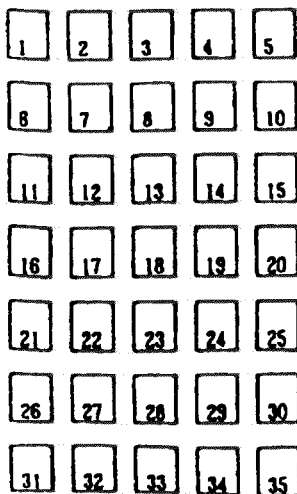
PIN NUMBER	25	26	27	28	29	30	31	32	33	34	35	36	37	38	39	40	41	42	43	44	45	46	47	48
ELECTRODE	G	G	G	G	G	G	G	G	G	G	P	P	P	P	P	P	P	P	P	P	P	P	P	P
	3	4	5	6	7	8	9	10	11	12	S13	S14	S15	S16	S17	S18	S19	S20	S21	S22	S23	S24	S25	S26

PIN NUMBER	49	50	51	52	53	54	55	56	57	58	59	60	61	62
ELECTRODE	P	P	P	P	P	P	P	P	P	P	N	F	F	F
	S27	S28	S29	S30	S31	S32	S33	S34	S35	S36	P	2	2	2

Note F : Filament, G : Grid, P : Element, NP : No Pin, NC : No Connection

(3) Anode Designation

	1G	2G	3G	4G~11G	12G
S1	3A	REPEAT	3g	1	1
S2	3B	ALL	2a	2	2
S3	3C	I	2b	3	3
S4	3D	CD	2f	4	4
S5	3E	PROGRAM	2g	5	5
S6	2A	RANDOM	2e	6	6
S7	2B	SIDE	2c	7	7
S8	2C	A	2d	8	8
S9	2D	B	1a	9	9
S10	2E	AUTO	1b	10	10
S11	1A	TUNED	1f	11	11
S12	1B	STEREO	1g	12	12
S13	1C	S13	1e	13	13
S14	1D	(SOUND MODE)	1c	14	14
S15	1E	(LIVE SURROUND)	1d	15	15
S16	S16	ACTIVE BASS EX.	CH	16	16
S17	ON TIME	ECHO )))	dB	17	17
S18	OFF TIME	S18	B1	18	18
S19	CLOCK	MONO	B2	19	19
S20		CD-G	B3	20	20
S21	①	KHz	B4	21	21
S22	②	MHz	B5	22	22
S23	③	MEMORY	B6	23	23
S24	④	SLEEP	B7	24	24
S25	⑤	DOLBY B NR	B8	25	25
S26	⑥	⇄	B9	26	26
S27	⑦	( )	B10	27	27
S28	⑧	TIMER包含心	B11	28	28
S29	⑨	DAILY	B12	29	29
S30	⑩	REC (DAILY. )	B13	30	30
S31	⑪	ONCE	B14	31	31
S32	⑫	REC (ONCE. )	B15	32	32
S33	⑬	CD	B16	33	33
S34	⑭	TAPE	B17	34	34
S35	⑮	FM	B18	35	35
S36	⑯	AM	S36		S36





# Disassembly Procedures

- (1) Top cover and heatsink cover removal
1. Remove 6 screws (A) on the rear side and 2 screws (A) on both sides of the cover.
  2. Remove the 2 screws (B) holding the heatsink cover.
  3. Remove the top cover and heatsink cover.

- (2) Rear panel removal
1. Remove the top cover and heatsink cover.
  2. Remove the 2 screws (C) holding the CD changer mech. ass'y.
  3. Remove the 14 screws (B).
  4. Remove the rear panel.

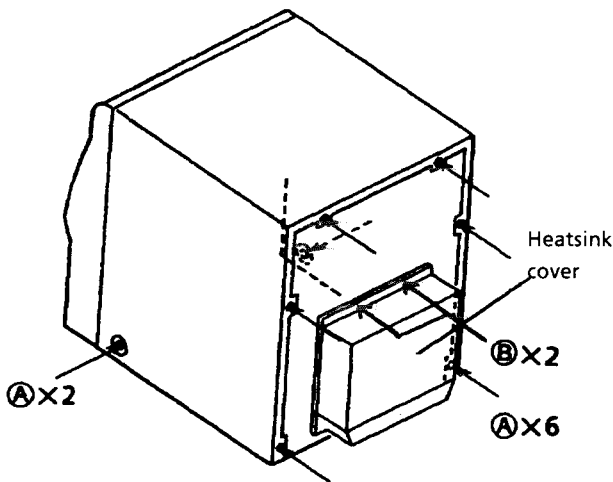


Fig 1

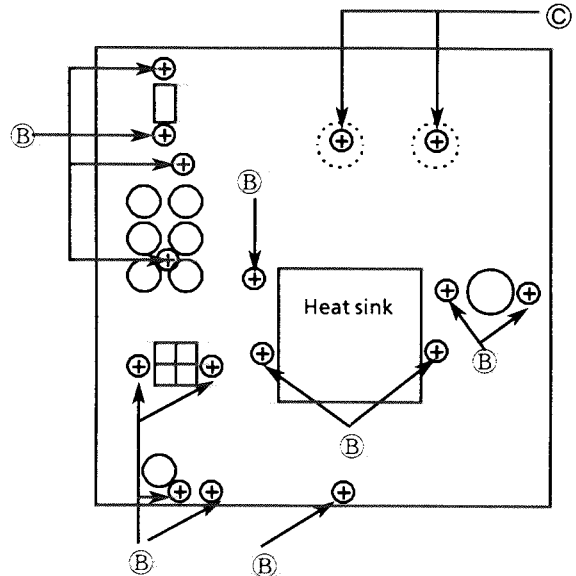


Fig 2 Rear view

- (3) CD changer mech. removal
1. Remove the rear panel.
  2. Disconnect the CN603, CN604, CN801.
  3. Remove the 2 screws (D) holding the CD changer mech. .
  4. Remove the CD changer mech. ass'y.

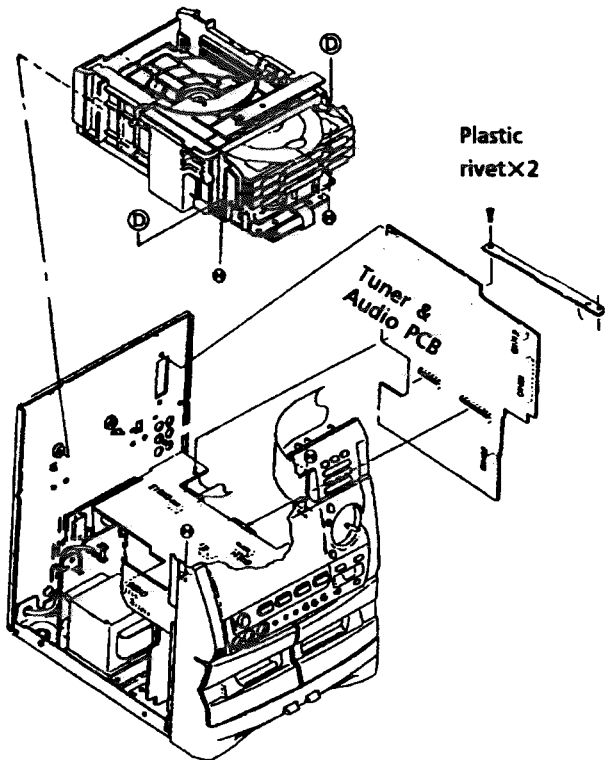


Fig 3 Front view

- (4) Tuner & Audio PCB (ENC-127-1) removal
1. Remove the CD changer mech. ass'y.
  2. Remove the plastics rivet and Remove the ENC-127-4.
  3. Disconnect CN401(Flat wire) , CN514.
  4. Disconnect CN513 and CN514.
  5. Remove the Tuner & Audio PCB (ENC-127-1).

[Note]  
Changer mech. ass'y needed connect the main PCB When servicing, so that the set can be movement.

- (A) .. SDSG3006M    (B) .... E73273-003    (C) ... SBSF3008Z    (D) ... SBSG3008Z

(5) Deck & CD control PCB (ENH-271-1) removal

1. Remove the (1)(2)(3)(4).
2. Disconnect the CN901.
3. Remove the 3 screws ⑤ holding the PCB and Remove the plastics rivet.
4. Raise up the PCB for disconnecting and you can remove the Deck & CD control PCB with the power AMP PCB.

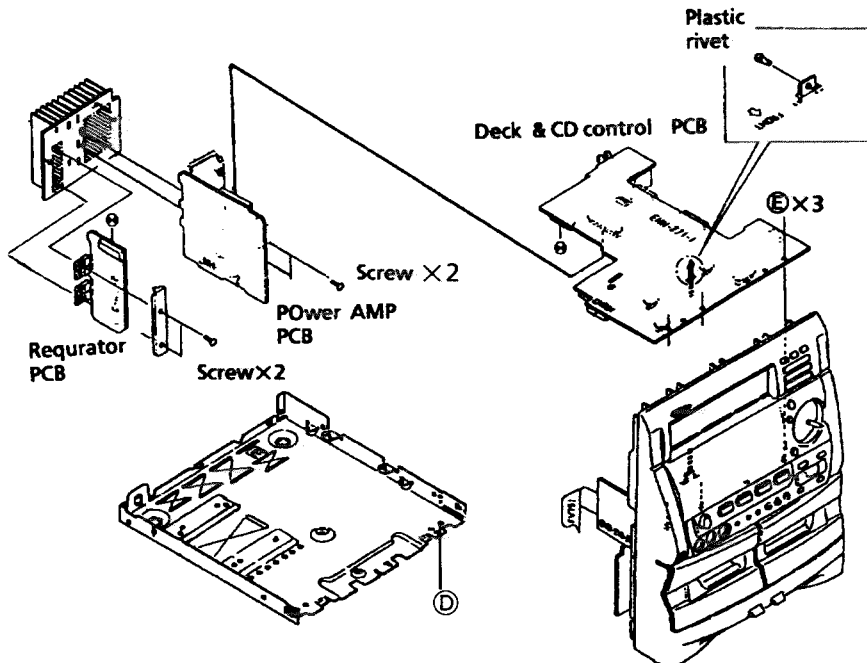


Fig 4

(6) Front PCB (ENB-219-1) removal.

1. Remove the (1)(2)(3)and(4) (5).
2. Remove the a screw ④ holding the front panel.
3. Remove the 3 Fook of the bottom side and both side and Remove the Front panel ass'y.
4. Remove the 16 screws ⑥ holding the braket.
5. Remove the Braket and Front PCB.

(7) Switch PCB(ENB-219-2) removal .

1. Remove the (1)(2)(3)and (4)(5)(6).
2. Remove the 7 screws ⑦ holding the PCB .
3. Remove the Switch PCB with the headphone PCB .

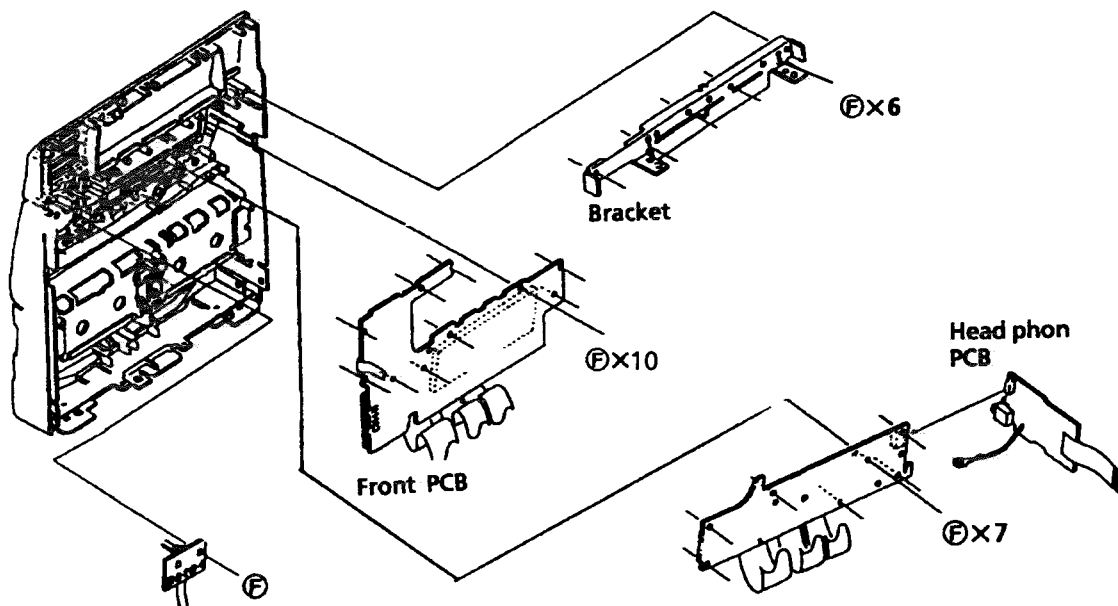


Fig 5

⑤ .. SPST2604Z

⑦ ... SDSF2608Z

④ ... SBSG3008Z

**(8) Cassette mechanism with the PCB (ENC-127-3) removal**

1. Remove the (1)(2)(3)and (4)(5).
2. Remove the 4screws Ⓞ and 4screws ©.
3. Remove the Cassette mechanism.

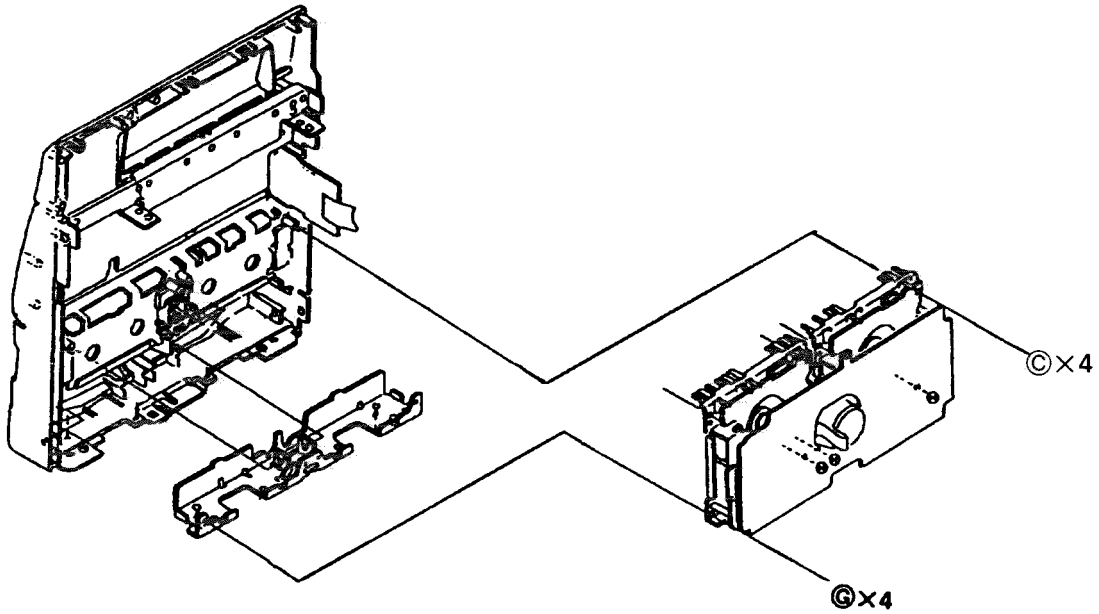
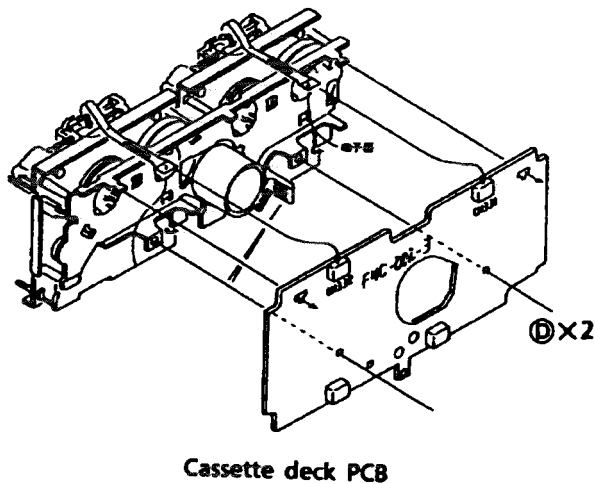


Fig 6

**(9) Cassette deck PCB (ENC-127-3) removal**

1. Remove the (1),(2),(3)and (4),(5),(8).
2. Disconnect the CN331 and CN332.
3. Remove the 2 screws Ⓞ holding the PCB.
4. Remove the Cassette deck PCB .



Cassette deck PCB

Fig 7

**(10) Cassette door lock plate removal**

1. Remove the (1)(2)(3)and (4),(5),(8) .
2. Remove the spring.
3. Push up the Elever as shown in the figure below(Fig . 8) and remove the door lock plate.

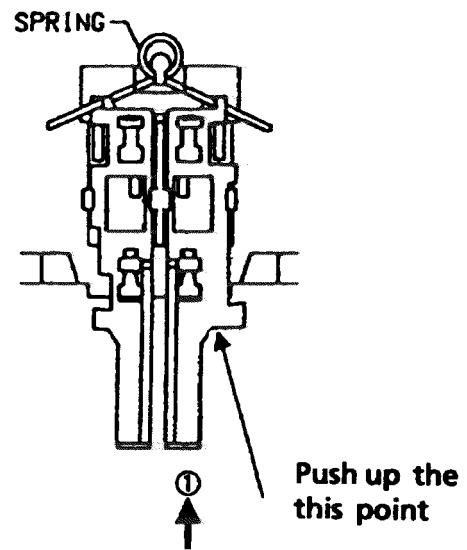


Fig 8

Ⓞ .. SBSG3008Z

Ⓞ ... SBST3006Z

© ... SBSF3008Z

**(11) Damper removal**

1. Remove the cassette mechanism.
3. Press the tab which secures the damper to remove the damper.(See the arrow shown in the figure below)

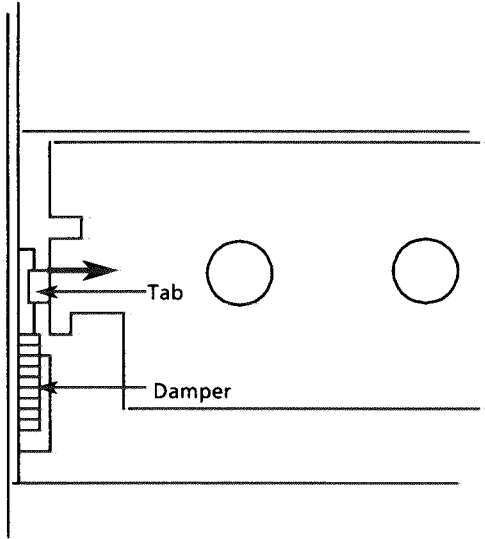


Fig 9

**(12) Cassette holder removal**

1. Remove the Cassette mechanism assembly.
2. Remove the damper.
3. Remove the spring holding the cassette holder.
4. Remove the Cassette holder .

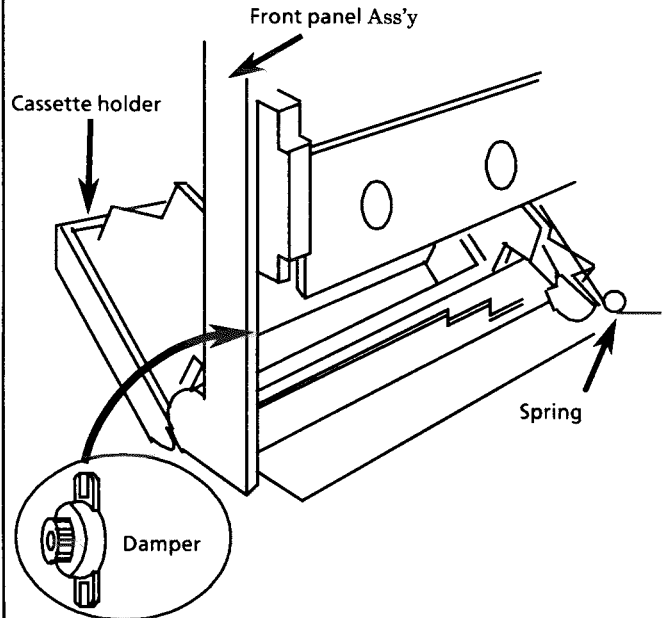


Fig 10

### Cassette Mech. Ass'y removal

**(13) Head assembly removal**

1. Remove the Cassette mech. ass'y .
2. Remove the flexible wire from the cassette deck and remove the 3 screws ① holding the head ass'y.

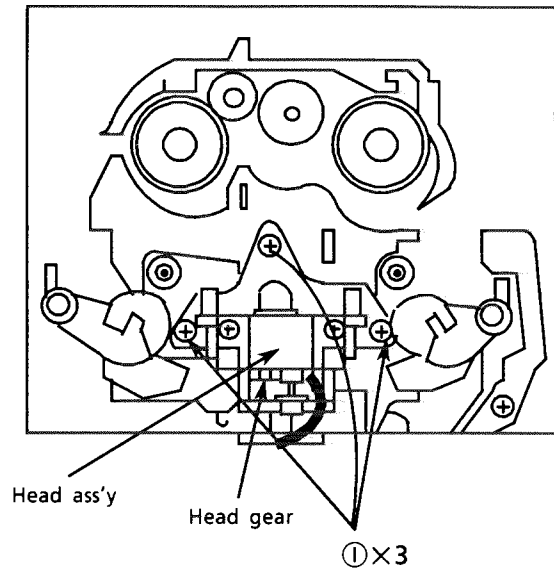


Fig.11 Cassette mechanism top view

**(15) Pinch roller (FWD/REV) removal**

1. Remove the cassette mech. assembly.
2. Remove the hook holding the pinch roller.
3. Remove the pinch roller ass'y.

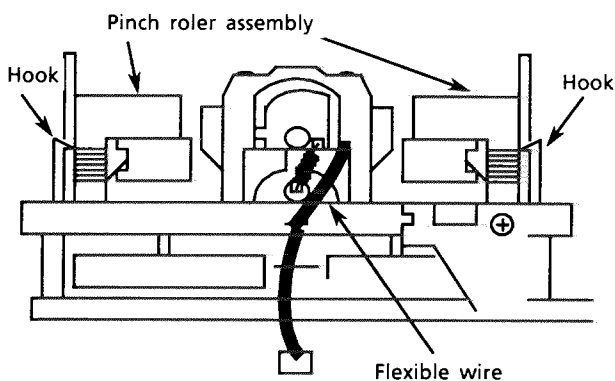


Fig. 13 Cassette mechanism bottom view

**(14) Head assembly**

1. The direction of the head is changed with the direction lever .When servicing ,install the direction lever according to the direction of the head assembly .

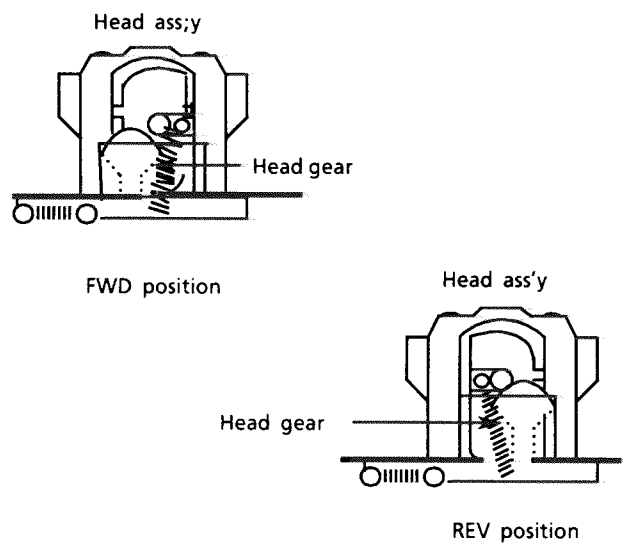


Fig.12-A Head ass'y side view

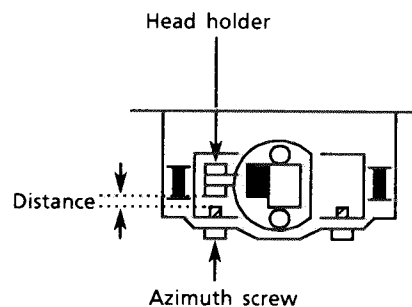


Fig.12-B A distance of between head older and azimuth screw

① .. SDST2004Z

(16) Capstan motor removal.

1. Remove the cassette mechanism.
2. Remove the cassette deck control PCB.
3. Remove the 6 screws ① holding the bracket.
4. Remove the hooks (■) of the bracket.
5. Put the cutting on the flywheel A together the bracket's pall as shown in fig. 15(Flywheel A) and check that the flywheel B is removed from the bracket's pall (fig. 15-Flywheel B).
6. Remove the capstan motor with the bracket.
7. Unsolder the broken flat wire of the capstan motor.
8. Remove the 2 screws fixing the motor and the bracket.

\* To remove the bracket, it is easier to remove mech."B" first.  
 Vice versa, assembling mech."A" is easier for reassembly.

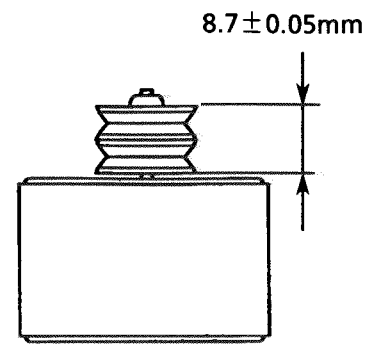
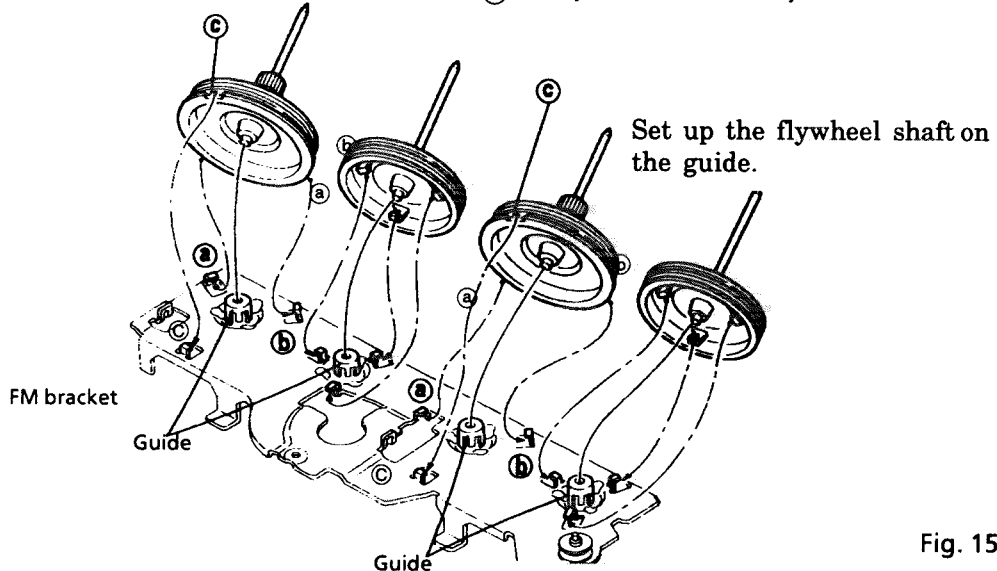
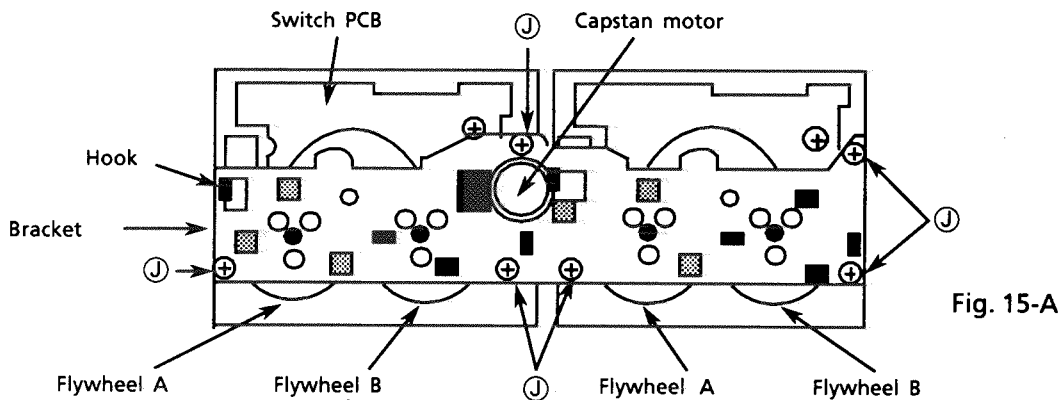


Fig. 14 Capstan motor pulley installation

(17) Flywheel removal

1. Remove the cassette mechanism assembly.
2. Remove the cassette amp PCB.
3. Remove the 6 screws ① and the bracket.
4. Remove the 4 hooks of the bracket.
5. Remove the bracket.
6. Remove the flywheels.

\*The oil on the capstan must be wiped out after reassembling.



① .. SBSF2608Z

(18) How to install the belts

1. Install the flywheels and belts as shown in the figure below . ( Fig. 16 )  
When putting the belts, put the long belt first.
2. Install the main reels to put the belts on the flywheels.

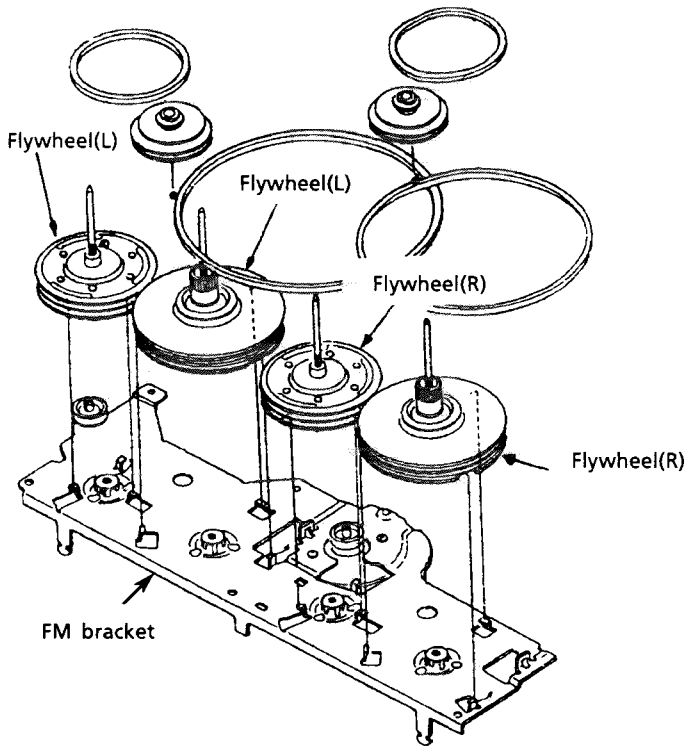


Fig. 16-A Install the Bracket and flywheels

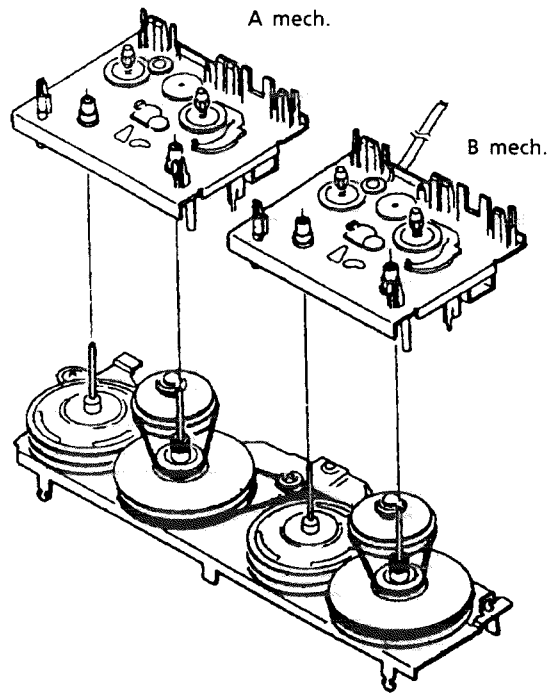
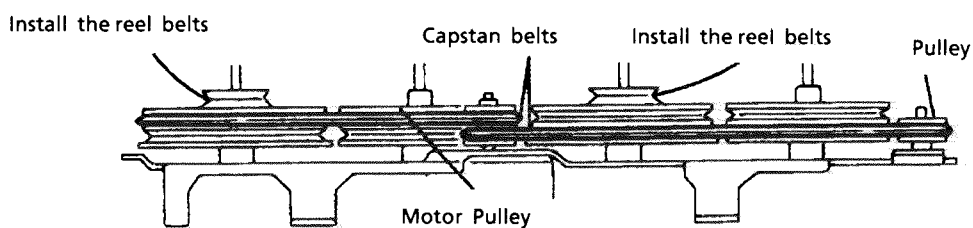


Fig. 16-C Install the cassette mech.



REEL BELTS → After hooking reel belts, no twist.

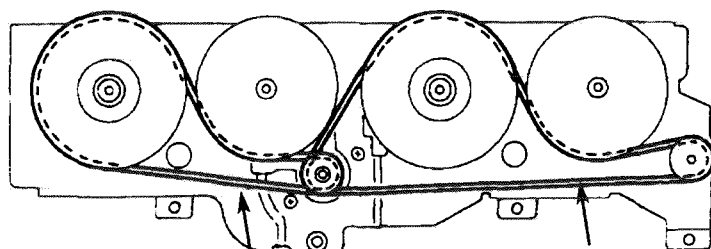
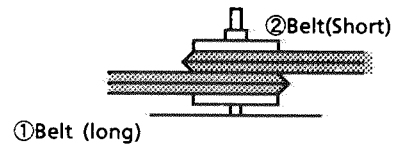


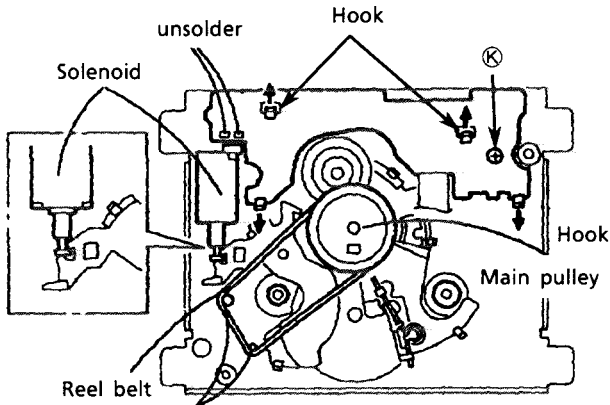
Fig. 16-B Install the Belts

②Belt(Short)

①Belt (long)

**(19) Switch PCB removal**

1. Remove the flywheel .
2. Remove the 1 screw (K) .
3. Unsolder the broken solenoid.
4. Release the 4 hooks holding the Switch PCB.
5. Remove it.



When attach the FM bracket ,  
Install the reel belt on the stud  
(See fig. 19)

Fig. 17

**(20) Control cam removal**

1. Remove the FM bracket and flywheel .
2. Pull out the main pulley .
3. Remove the trigger arm .  
While opening the two tabs (a) under the trigger arm, pull out the trigger arm from the shaft .
4. Pull out the elevator ring .
5. Remove the FWD/REV arm assembly .  
a. Remove the FWD/REV arm spring .  
b. While opening the four FWD/REV arm retaining tabs (b) outwards, pull out the FWD/REV arm .
6. Pull out the control cam .  
While pulling the shaft stopper section of the control cam in the central direction , pull out the control cam .

**When attaching the control cam**

While pressing the FWD/REV arm in the direction of the sorrow, pull the head the front.

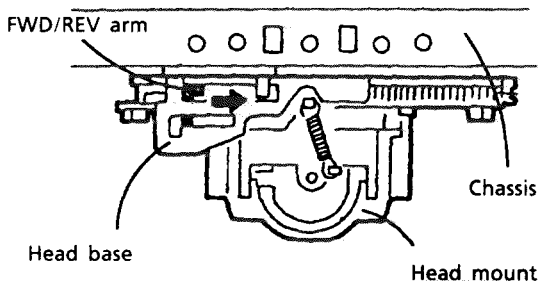
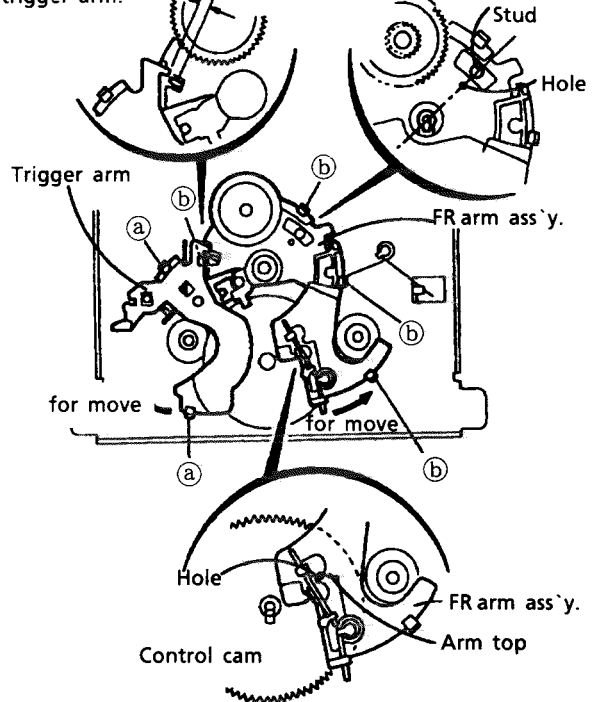


Fig. 18-c

Moving aria of the trigger arm. Position of the hole and the stud after fixing the FR arm ass'y.



Position of the hole of cam and top of the arm after fixing the FR arm ass'y.

Fig. 18-a

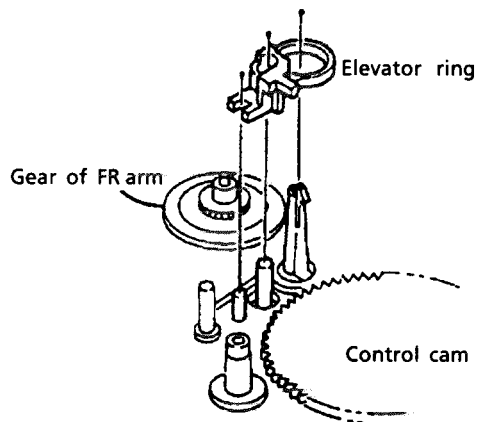


Fig. 18-b

After performing the procedure shown above, the studs under the control cam move as shown.

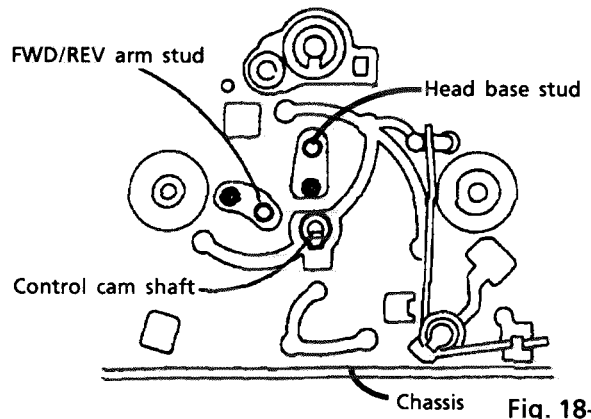


Fig. 18-d

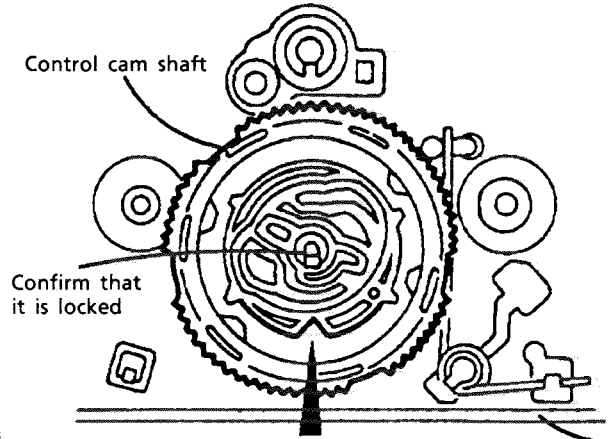
(K) .. SDST2612Z



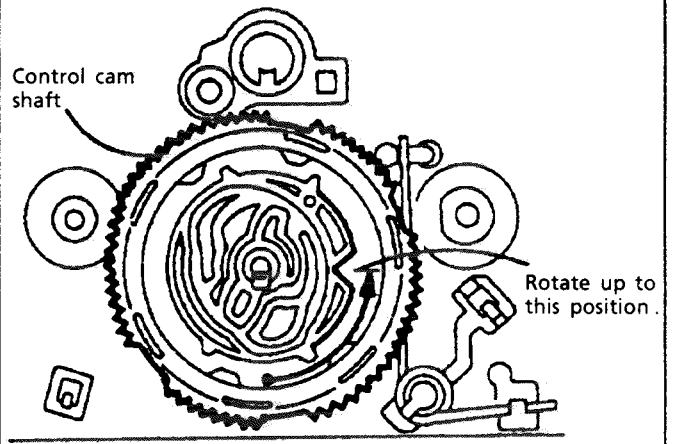
(21) How to assemble

1. Move the FWD/REV arm in the direction of the arrow .
2. In step 1 , pull the head base forward .
3. In step 2 , after inserting the cam into the shaft , move the head base and FWD/REV arm slightly until the cam is fully inserted and it clicks to inform when it has been locked.
4. Rotate the cam counterclockwise to check if the cam rotates smoothly and the spring clicks according to the forward/backward movement of the head base .
5. After checking the rotation of the cam , rotate the cam until the notch section comes to the right so that the FWD/REV arm assembly can be attached .
6. Attach the FWD/REV arm assembly while observing the positioning of:
  - the hole and stud
  - the cam hole and arm edge
 shown in the figure 18-a .  
 After attachment , move the FWD/REV arm in the direction of the arrow to check if it moves back to the original position .
7. Attach the elevator ring .
8. Attach the trigger arm .  
 After attachment , move the trigger arm in the direction of the arrow to check if it moves back to the original position .

Working confirmation:  
 If the control cam rotates counterclockwise ,the assembly was successful: if it does not rotates . It must be reassembled .



Fit the control cam its notch located as shown . (Engage with the gear of the control cam while moving the FWD/REV arm and head base slightly .)



Attach the FWD/REV arm with the control cam rotated up to the position shown .

## CD Changer mech. Ass'y removal

### (22) CD Tray assembly removal

1. Disassemble the changer mech..
2. Remove the screw ③ holding the stopper bracket.(See Fig.19) --- (U.S.A only)
3. Remove the rod from both ends' hooks which are secured on T.Bracket ④ and clamber base ⑤. (See Fig. 19)
4. Remove 3 screws ① securing T.Bracket.(See Fig. 21.)
5. Remove a screw ⑥ securing center of the clamper ass'y. (See Fig. 20)
6. Remove the clamper ass'y from ★ screw fixing side.
7. Remove a screw ② which secures the return spring and lock levers from the chassis ass'y.(See Fig. 22.)
8. Remove 2 pawls ⑦ which slightly secure the return spring to remove it.
9. Remove 3 lock levers.
10. Check that the lifter unit stopper is inserted into hole ⑧ located on CD tray ass'y. (See Fig. 23.)
11. Check that the driver unit elevator is seen from a hole (marked ⑨) on left side of the CD changer mech..(See Fig. 24 and 25.)  
[NOTE] Set the elevator in correct position (Fig. 25) by rotating the pulley gear with finger if it is not positioned correctly (Fig. 26.).
12. Rotate the motor pulley clockwise with finger until the lifter unit's stopper is lowered from ⑧ hole located on the CD tray ass'y. (See Fig. 26.)
13. And, pull all 3 CD tray assemblies forward until they stop. (See Fig. 24.)
14. Press 2 pawls (f, f) located rear side of the CD tray ass'y according to an arrow ⑩ to remove the CD tray ass'y. (See Fig. 27.)  
At first, removing the lowest tray is easier.

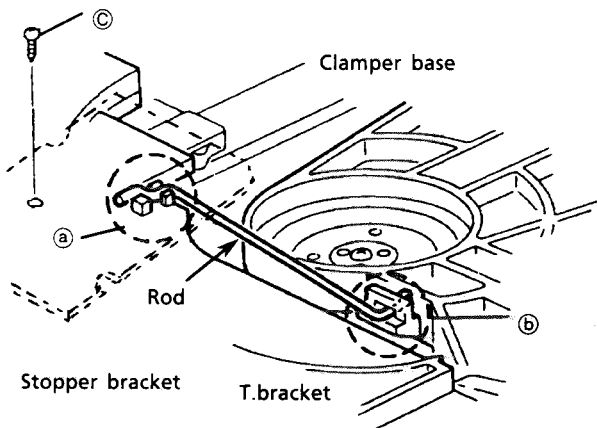


Fig. 19

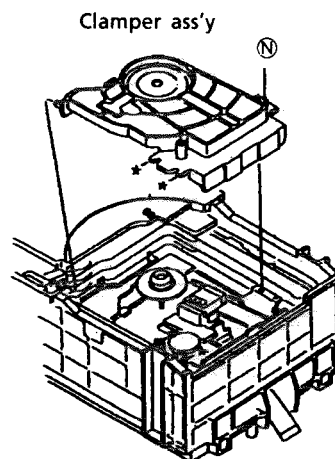


Fig.20

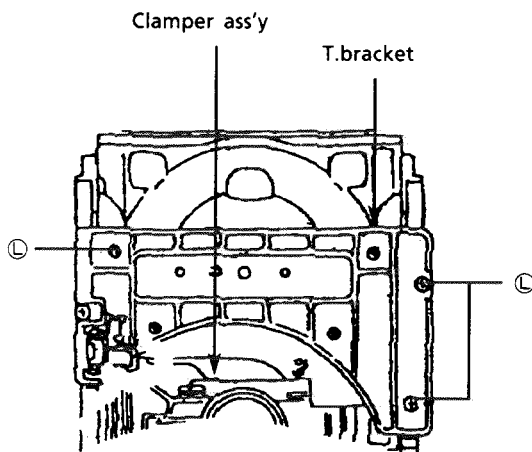


Fig.21

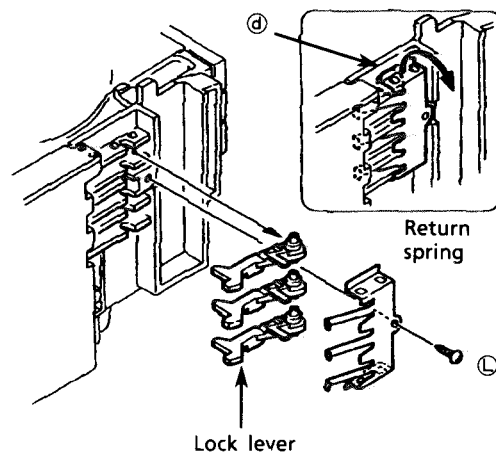


Fig.22

① .. SBSF2606Z      ⑥ ... SPST2606Z      ③ ... SBSF3008Z

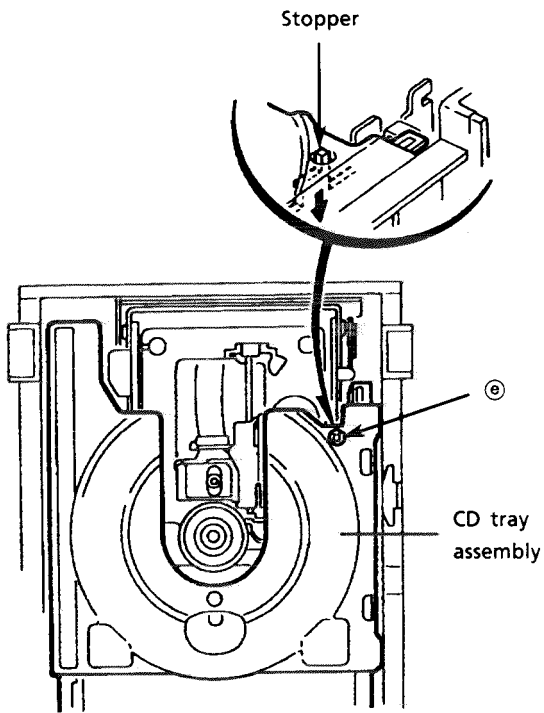


Fig. 23

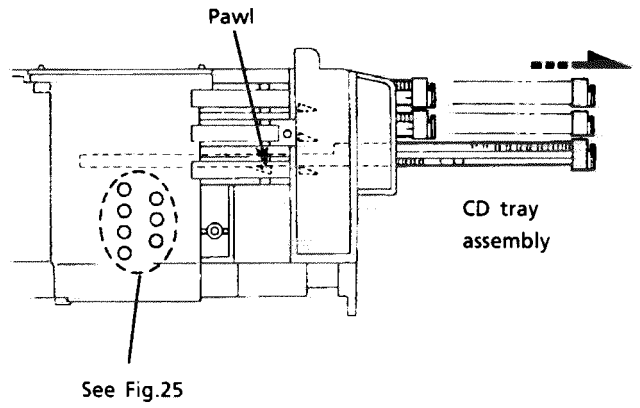


Fig. 24

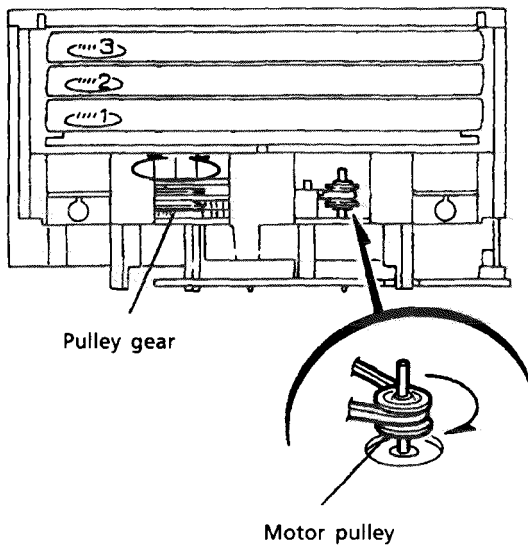


Fig. 26

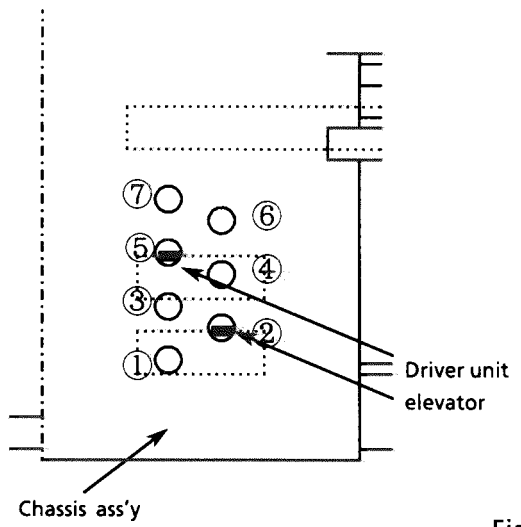


Fig. 25

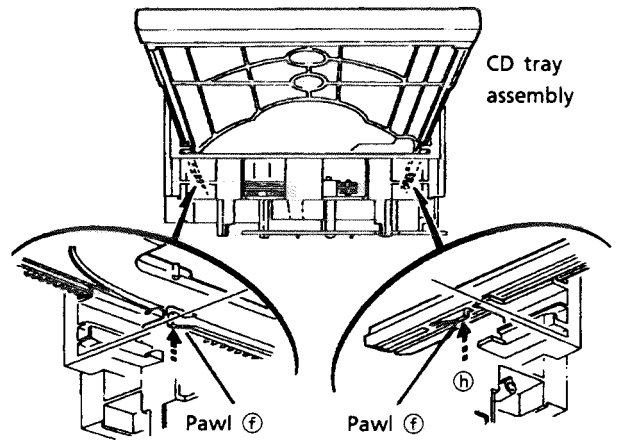


Fig. 27

(23) CD mechanism removal

1. Remove the CD tray ass'y.
2. Rotate the Cam R1, R2 ass'y counterclockwise so that CD mech. ass'y's shaft ⑧ is positioned as shown in Fig. 28.
3. Remove 4 screws ⑨ securing CD mech. ass'y. (See Fig. 28.)

\*How to replace pick-up unit

1. If CD mech. is removed without disassembling CD mech. ass'y, rotate the Cam R1, R2 ass'y clockwise to set the CD mech. ass'y's shaft(L) as shown in Fig. 29.
2. Lift the CD mech. ass'y toward the direction ⑩ to remove it from the lifter unit. (See Fig. 30.)

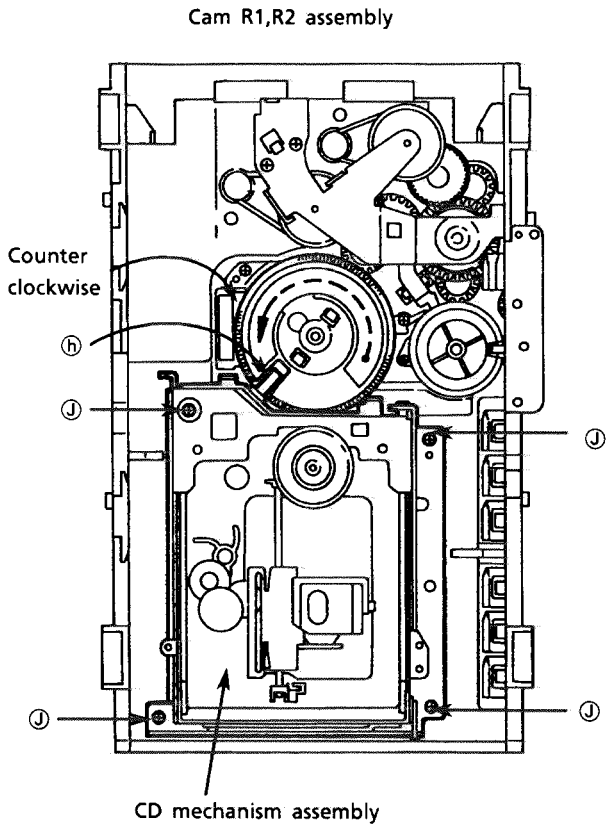


Fig. 28

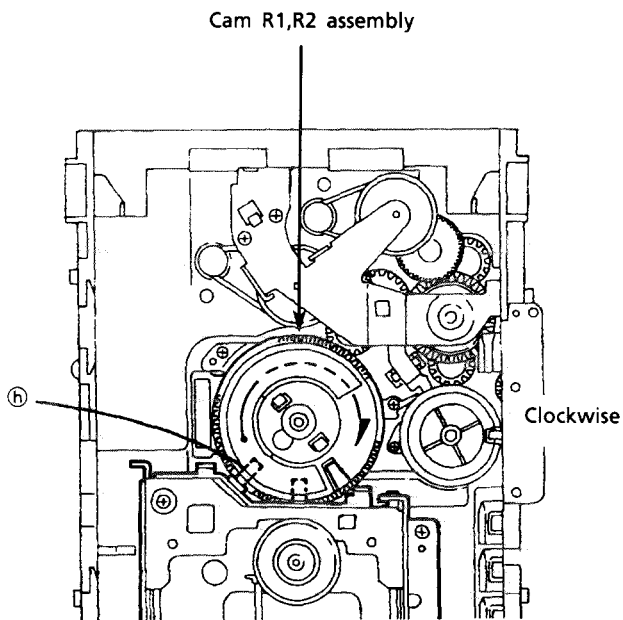


Fig. 29

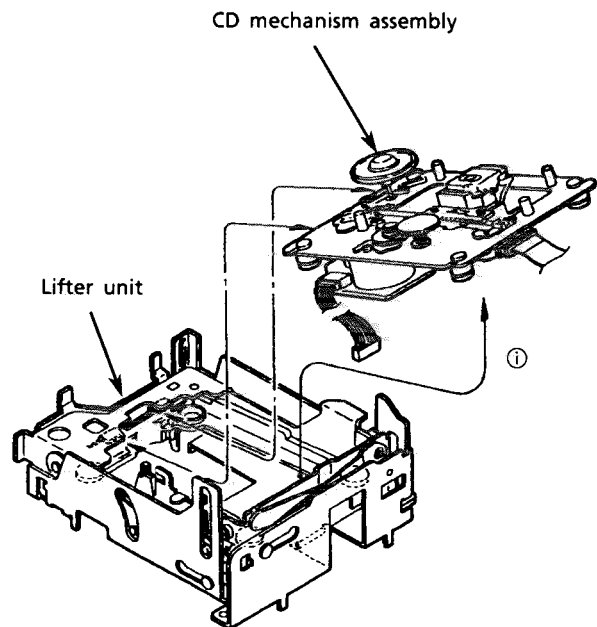


Fig. 30

⑨ .. SBSF2608Z

**(24) Actuator motor board removal**

1. Unsolder 4 soldered point ① for both motors. (See Fig. 31.)
2. Remove a screw ③ securing the CD servo board. (See Fig. 31.)
3. Press the hook and release it to remove the CD servo board.
4. Remove 2 screws ① securing the actuator motor board. (See Fig. 31.)
5. Remove 2 screws ① securing the tray select switch board. (See Fig. 32.)

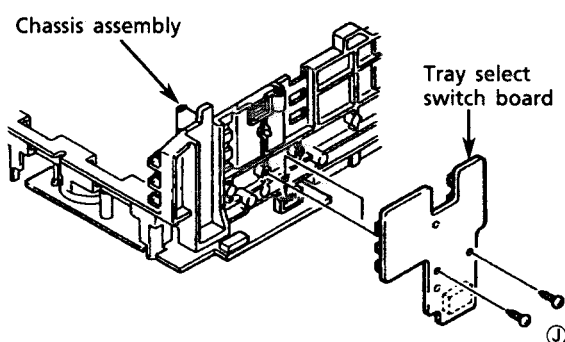


Fig. 32

**(25) Cam unit removal**

1. Disassemble CD mech. ass'y.
2. Rotate the Cam gear L so that the drive unit's pole ④ is positioned as shown in Fig. 33.
3. Remove the drive unit and cylinder gear. (See Fig. 34.)
4. Rotate the Cam gear L so that the select gear's ① is positioned as shown in Fig. 35.
5. Remove 4 screws ① securing the cam unit which includes the cam gear L and Cam R1, R2 ass'y. (See Fig. 35.)

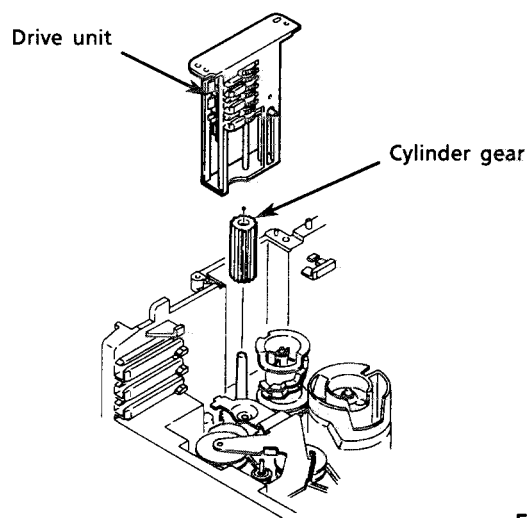


Fig. 34

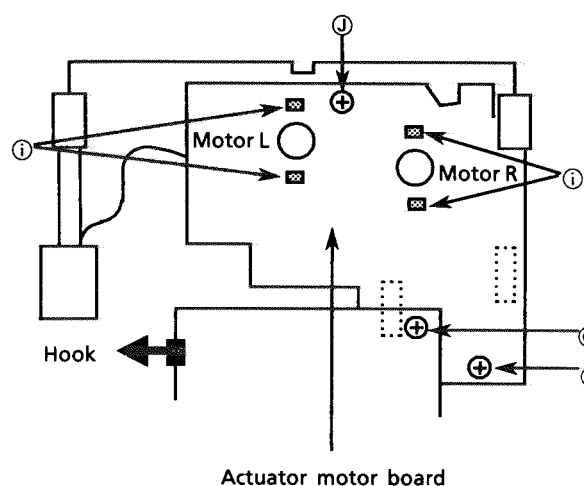


Fig. 31

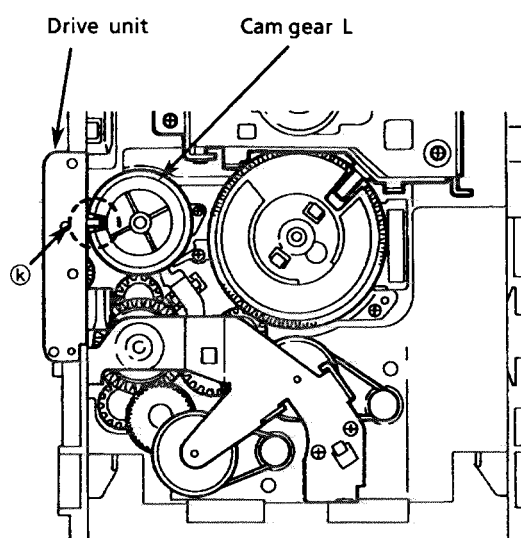


Fig. 33

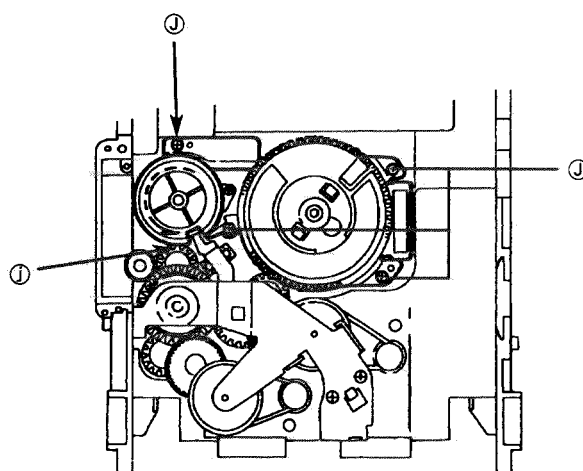


Fig. 35

① .. SBSF2608Z      ③ ... SBSF3008Z

(26) Removal for actuator motor and belt

1. Remove 2 screws ① securing the gear bracket. (See Fig. 36.)
2. Press the pawl ② securing the gear bracket to the arrow in the figure to remove the gear bracket. (See Fig. 36.)
3. Remove the gear bracket from the chassis ass'y's ③ securing top of the gear bracket. (See Fig. 37.)
4. Remove each belts from the both actuator motor pulleys and the pulley gears. (See Fig.36.)
5. Reverse the chassis ass'y and widen 4 poles ④ which secure both actuator motors to its arrows to remove the actuator motors. (See Fig.38.)

[NOTE] The pulley gears and other gears which consist the gear unit may drop separately if the chassis ass'y is reversed without gear bracket and belt. See Fig. 39 to assemble them again.

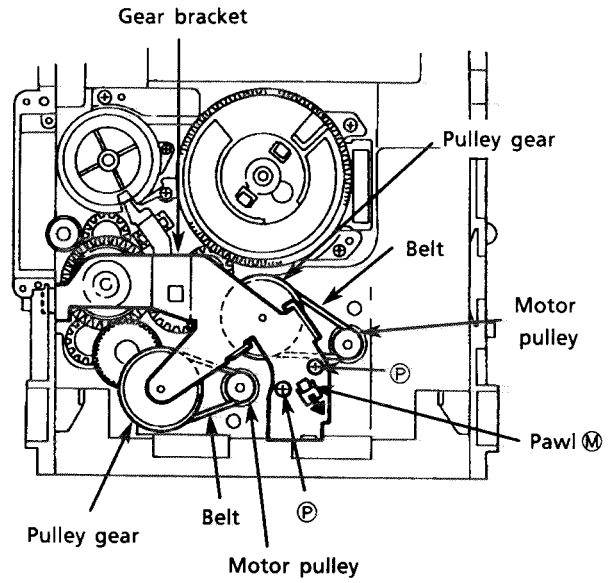


Fig. 36

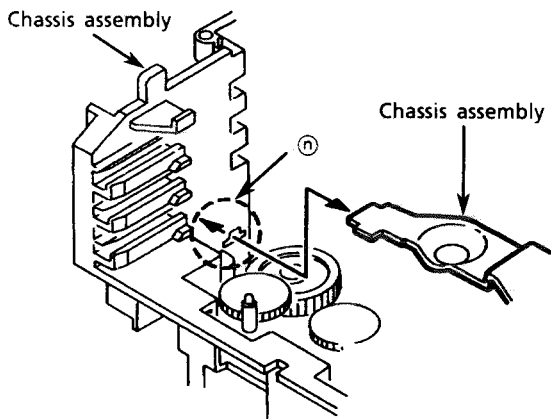


Fig. 37

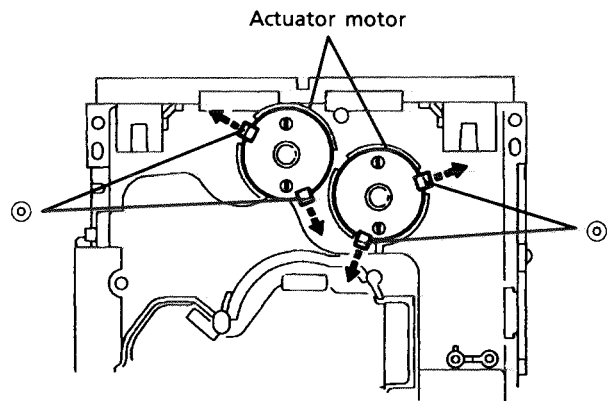


Fig. 38

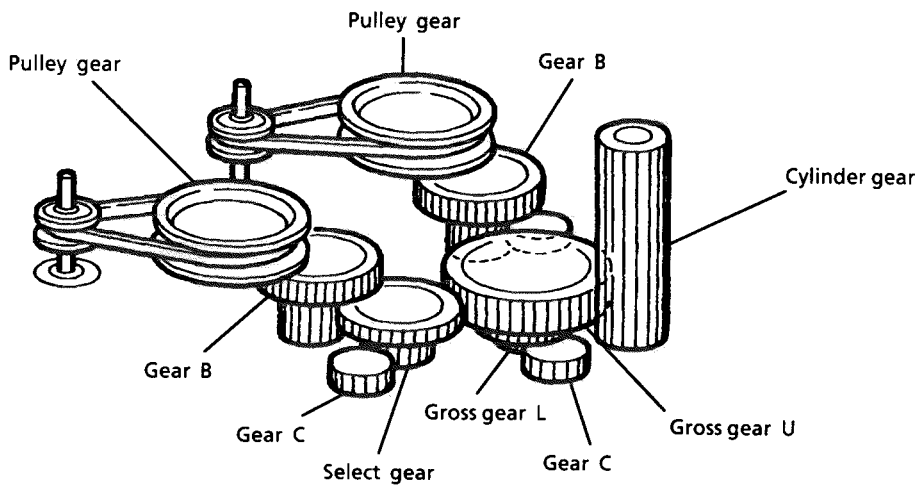


Fig. 39

① .. DPSP2616Z

(27) Removal of cam R1, R2 ass'y and cam gear L

1. Remove the slit washer securing Cam R1, R2 ass'y.  
(See Fig. 40.)
2. Remove 2 poles ⑤ securing Cam R1 to remove Cam R2 from Cam R1.
3. Remove the slit washer securing Cam gear L.
4. Remove Cam gear L from the C.G. base ass'y.

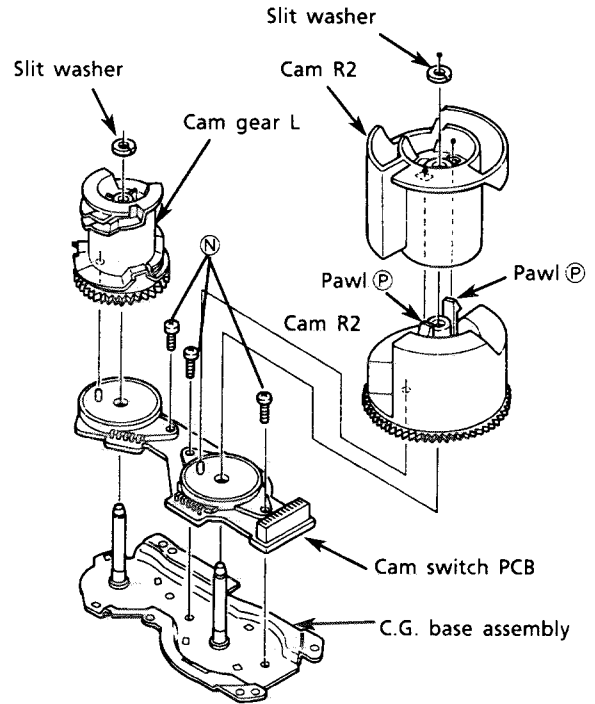


Fig. 40

(28) Removal of C.G. base ass'y

Remove 3 screws ⑥ securing the C.G. base ass'y. (See Fig. 40 and 41.)

[NOTE] Set the drive unit's pawl ⑧ so that it is positioned as shown in Fig. 41.  
Confirm that the cam gear L engages with the gear unit by rotating the cam gear L.

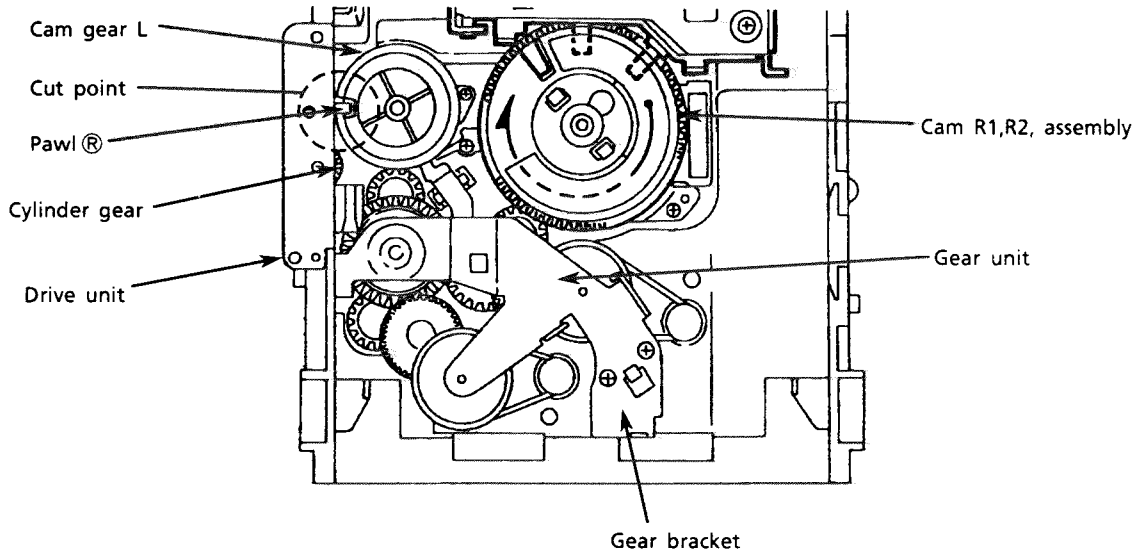


Fig. 41

⑥ .. SPST2606Z

- (29) Removing the Pickup  
 1. Remove the CD mech. assembly.  
 2. Release the shaft to remove the pickup.

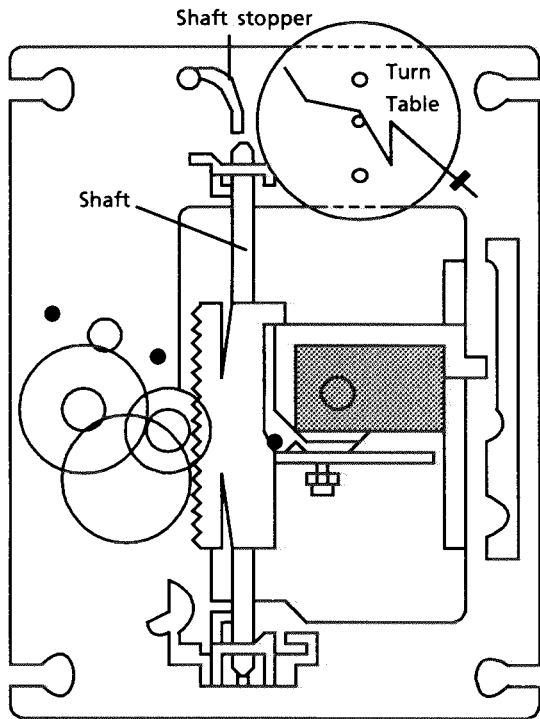


Fig. 42

- (30) Spindle motor installation  
 1. Tighten the 2 screws to the same torque.  
 2. Fasten the spindle and feed motor P.C. board with the screw and solder.  
 3. Install the turntable. When installing, press straight down at the center of the turntable until the distance from the surface of the mech. base to the turntable is exactly  $19.4 \pm 0.1\text{mm}$ .

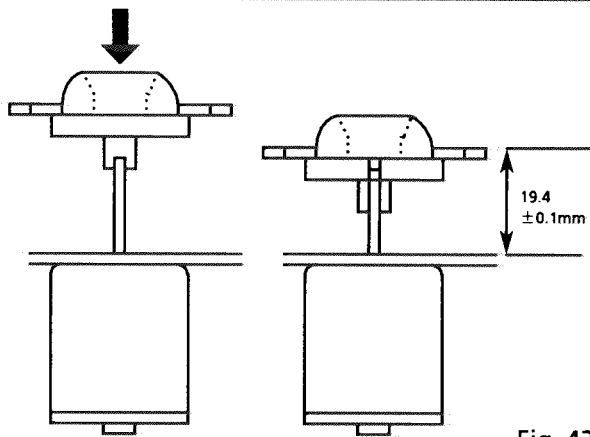


Fig. 43

- (31) Removing the Spindle motor  
 1. Remove the CD mech. assembly.  
 2. Remove the turntable, and remove the 2 screws ⊗ retaining the spindle motor.  
 3. Remove the screw retaining the spindle and feed motor circuit board and unsolder it.

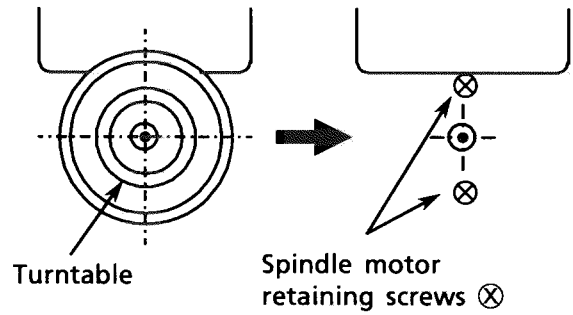


Fig. 44

- (32) After inserting the turntable, bond the motor shaft and turntable together (at the section marked by an arrow in fig 45 on the left below).

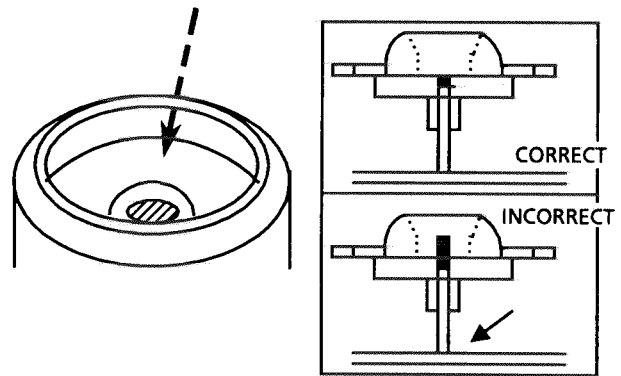


Fig. 45

- (33) Use "LOCKTITE" #460 bonding agent, and apply as little as possible.  
 Take care not to allow any excess bonding agent to get onto the turntable.  
 Be extremely careful not to allow bonding agent to adhere to the motor bearing (the section marked by an arrow in fig. 45 on the right).

⊗ .. SDSP2003N



# Adjustment procedures

## ■ Tuner section

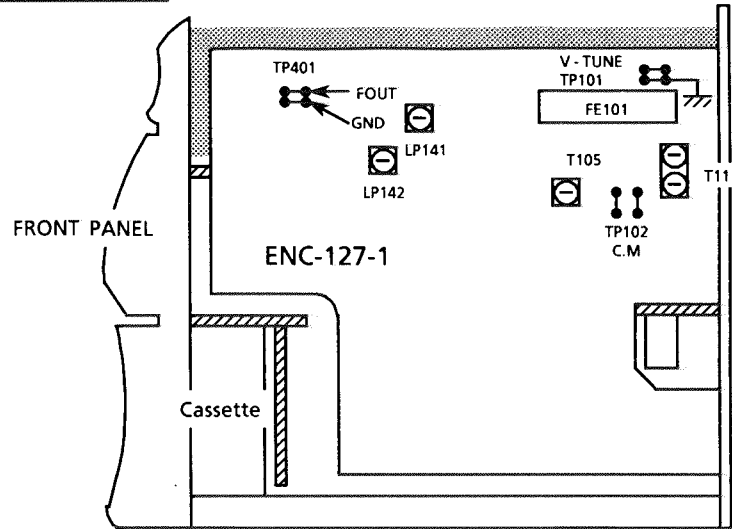
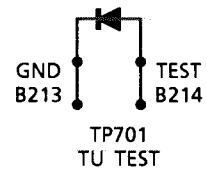


Fig.1

### Clock Adjustment

1. After connecting B213 and B214 with some wire as shown in the figure below, connect the AC power cord into an AC outlet.
2. Confirm that the display is off and remove the wire.
3. Connect a frequency counter to TP401 B268 and B349.
4. Confirm the frequency  $50000 \pm 0.29\text{Hz}$ .



ENB-219-1(Front PCB)

### (1) Tuning voltage

Confirm the voltages at TP101 is within the standard values shown in the table below. If the voltages are not satisfied, replace T111 for MW 5or FE101 for FM .

FM Tuning voltage (Unit : V)

Area	Frequency	
	87.5MHz	108MHz
Universal	$1.6 \pm 1.0 (V)$	$8.0 \pm 2.0 (V)$

AM Tuning voltage (Unit : V)

Area	Frequency (MW)						
	522KHz	530KHz	531KHz	1600KHz	1602KHz	1629KHz	1710KHz
U,UT,UB,UP,US(Channel Space 9kHz)	—	—	>0.8	—	<7.9	—	—
Universal(Channel Space 10kHz)	—	>0.8	—	<7.9	—	—	—

### (2) FM center meter

Receive a broadcast which understanding the frequency by using the function of 'MANUAL SEARCH'. Adjust T105 (detector coil) so that the voltage at TP102 becomes  $0 \pm 1.5\text{mV}$ .

#### The Marks for Designated Areas

U ..... Universal

US .... Singapore

UT ..... Taiwan

UB ..... Hong Kong

No mark indicates all area.

■ Deck Adjust point

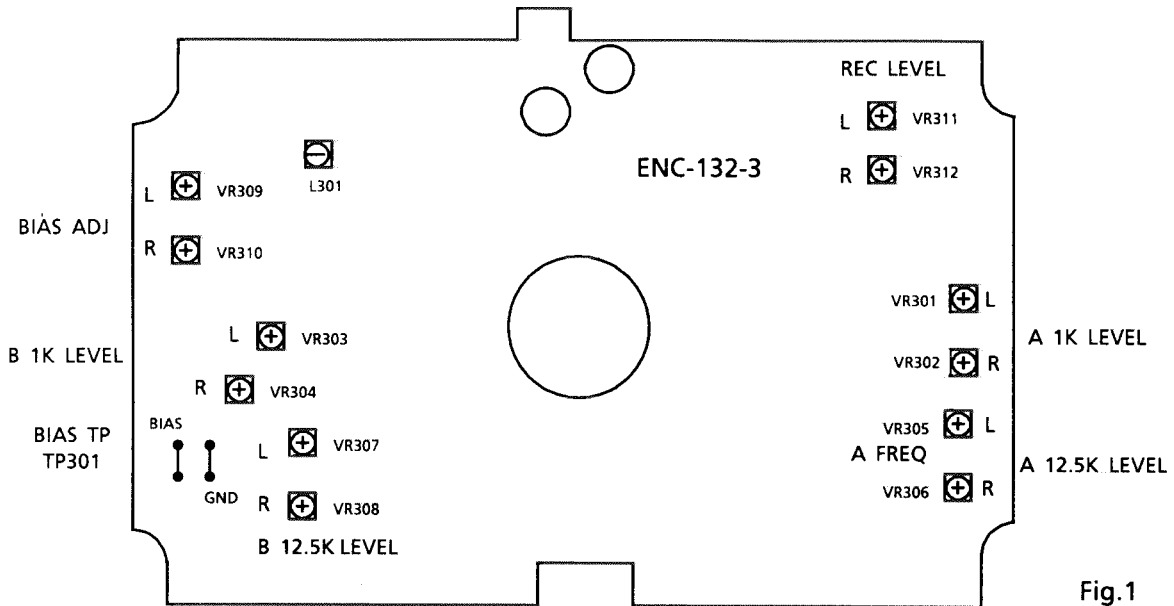


Fig.1

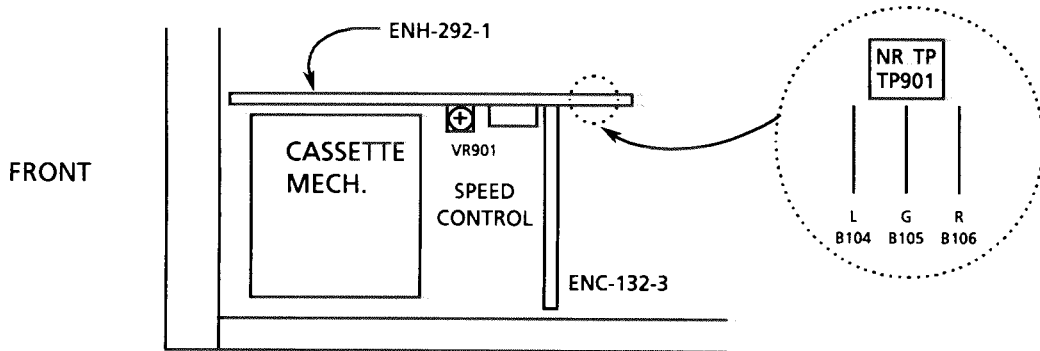


Fig.2

Deck section

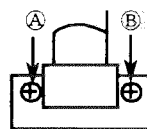
1. Measuring instruments

- Audio frequency signal generator ( 0dbs output at the 600 ohm output terminal from 50Hz to 20KHz)
- Electronic voltmeter
- Frequency counter
- Wow & Flutter meter
- Distortion Meter with band pass filter
- Attenuator (600 ohm impedance)
- A resistor with 600Ω

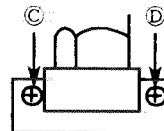
Tape No.	Frequency	Level (Wow & Flutter)	Purpose
VTT-703L	10kHz	- 10dBs	Head azimuth , Frequency Response
VTT-712	3000Hz	0dBs 0.025%WRMS	Tape Speed , Wow & Flutter
VTT-724	1kHz	- 4dBs	Standard Level
TMT-6447	-	-	Blank Skip
TMT-6247 , TMT-6237	-	-	Music Scan
TMT-7088S	-	-	Recording standard Normal : UR
AC-712	-	-	Recording standard METAL :MA
AC-513	-	-	Recording standard CrO <sub>2</sub> :SA
TW-2111, TW-2121	-	-	Forward / reverse play torque measuring
TW-2231	-	-	Feed forward / rewind torque measuring
C-120 Tape	-	-	Confirming the tape running

## 2.Adjustment and repairing the mechanism

Item	Adjustment method	Standard value	Remarks
Head azimuth	<p>Deck A</p> <ol style="list-style-type: none"> <li>1. Connect an electronic voltmeter to the NR TP901 (figure 2) to playback VTT-703L.</li> <li>2. Adjust screw Ⓐ so that the indication of the voltmeter becomes maximum when PLAY (▶) is pressed.</li> <li>3. Adjust screw Ⓑ so that the indication of the voltmeter becomes maximum when PLAY (◀) is pressed.</li> </ol> <p>Deck B</p> <ol style="list-style-type: none"> <li>4. Adjust screw Ⓒ so that the indication of the voltmeter becomes maximum when PLAY (▶) is pressed.</li> <li>5. Adjust screw Ⓓ so that the indication of the voltmeter becomes maximum when PLAY (◀) is pressed.</li> <li>6. After making the adjustment, apply screw lock to prevent screws Ⓐ, Ⓑ, Ⓒ and Ⓓ coming loose.</li> </ol>	Maximum	<ol style="list-style-type: none"> <li>1. <b>Refer to figure 3.</b></li> <li>2. When the specified characteristic cannot be obtained because of head wear, excessive magnetization, etc., replace the head assembly and adjust the head azimuth. Also, perform the electric adjustment.</li> <li>3. When there is the difference of more than 3 ~ 4 dB between left and right output levels, replace the head assembly to avoid complaints.</li> </ol>
Playback torque	<ol style="list-style-type: none"> <li>1. Measure the torque in the playback mode by the torque meter.</li> </ol>	26 ~ 72 g-cm	When the standard torque cannot be obtained, replace the FR arm assembly or motor.
Fast forward torque	<ol style="list-style-type: none"> <li>1. Measure the torque in the fast forward mode by the torque meter.</li> </ol>	75 ~ 175 g-cm	When the standard torque cannot be obtained, replace the FR arm assembly or motor.
Rewind torque	<ol style="list-style-type: none"> <li>1. Measure the torque in the rewind mode by the torque meter.</li> </ol>	75 ~ 175 g-cm	When the standard torque cannot be obtained, replace the FR arm assembly or motor.
Wow & flutter	<ol style="list-style-type: none"> <li>1. Connect the wow &amp; flutter meter to the DOLBY TP (figure 2) and play back VTT-712.</li> <li>2. Its reading should be within 0.25% (WTD).</li> </ol>	Less than 0.25%	As a complaint may occur if the wow & flutter fluctuates by 0.1% even though it is allowed in the standard, repairing is required.



Deck A



Deck B

Fig.3

### 3. Electrical Adjustments (Make the following adjustments after adjusting the head azimuth.)

In principle, the adjustments should be made in the following sequence.  
 Set the NR switch to OFF and the BEAT CUT switch to "1".  
 Adjustments marked with an asterisk (\*) should always be made after the head is replaced

0dBs = 0.775V

Item	Adjustment Method	Adjustment Location	Standard Value	Remarks
Tape Speed	1. Connect a frequency counter to the NR TP 901 (figure 2) and play back VTT-712. 2. Adjust the semi-fixed resistor VR901 on ENH-292 - 1 (figure 2).	VR901	3,000 Hz ± 10Hz	Connect a wow & flutter meter with a built-in frequency counter to the speaker terminals.
* Standard level (Playback Level)	1. Connect an electronic voltmeter to the NR TP901 (figure 2). 2. Play back VTT-724 (1 kHz : -4dBs) to adjust the semi-fixed resistors.	<b>Deck A</b> L: VR301 R: VR302 <b>Deck B</b> L: VR303 R: VR304	488mV (-4dBs)	1) The playback level varies when the head is replaced so should be adjusted. Use an electronic voltmeter with an impedance of 100 kΩ or more.
* Playback Frequency Response	1. Connect an electronic voltmeter to the NR TP 901 (figure 2). 2. Play VTT-703L (10kHz : -10dBs) and adjust semi-fixed resistors to obtain the standard values.	<b>Deck A</b> L: VR305 R: VR306 <b>Deck B</b> L: VR307 R: VR308	245mV (-10dBs)	—
* Recording Bias Frequency	1. Connect a frequency counter to the BIAS TP (figure 2), and perform a recording to adjust bias frequency.	L301	105 kHz ± 5 kHz	
* Record / Play Frequency Response (Bias current)	1. Supply 1kHz and 12.5kHz with 30mV signals to AUX terminals respectively to record them. 2. Connect an electronic voltmeter to the NR TP901 (figure 2) to confirm the recorded values. 3. If the values are not satisfied, adjust the semi-fixed resistors and record the signal again to confirm the recorded values.	L: VR309 R: VR310	0 ± 2 dB with 1 kHz as the standard.	<b>Refer to figure 4 below.</b> 1) The recording and playback frequency response of a cassette deck are adjusted by adjusting the bias. 2) Perform the adjustment with normal tape and confirm that the values are within the range for metal tape.

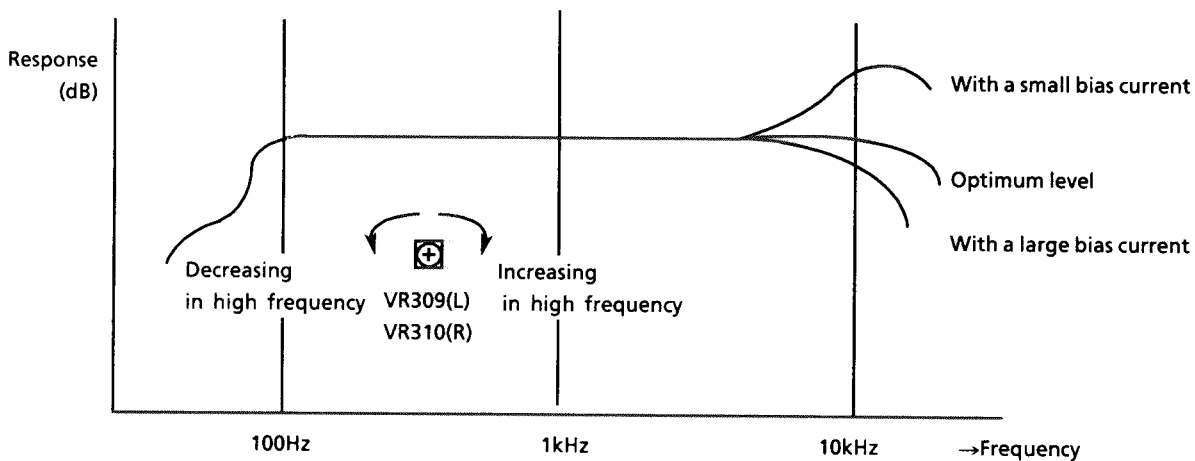
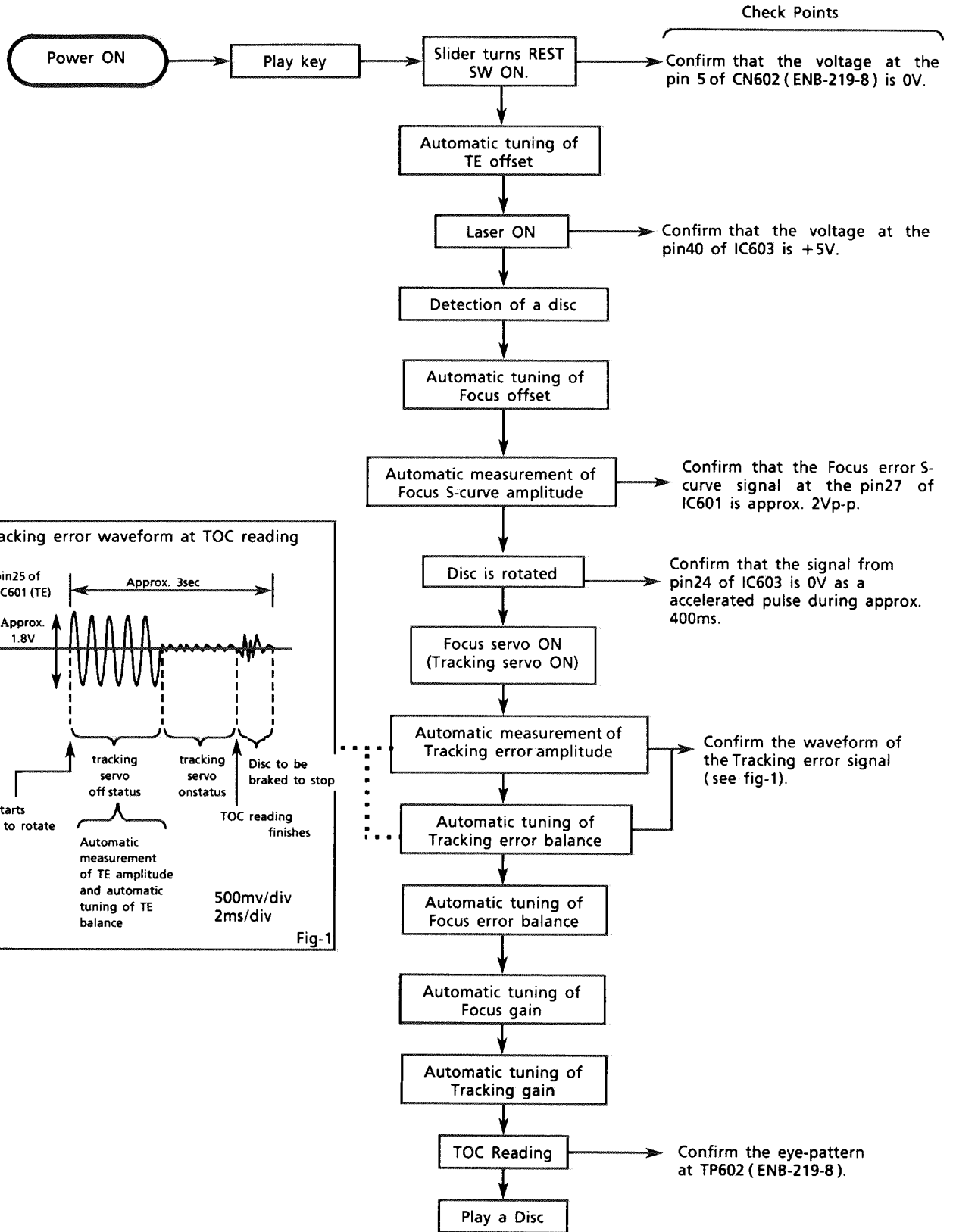


Fig.4

# Flow of Functional Operation Until TOC is Read



## Maintenance of Laser Pickup

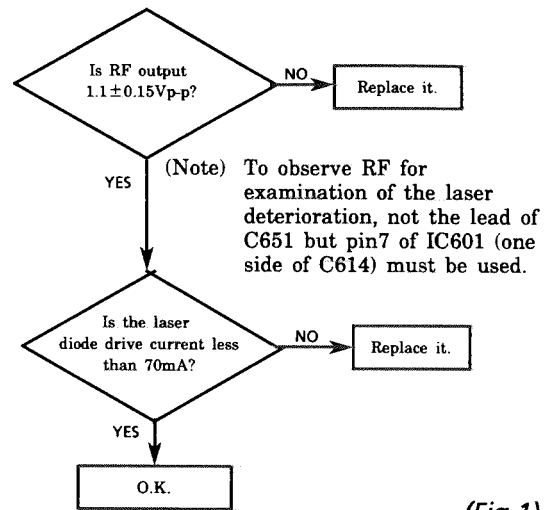
### (1) Cleaning the pick up lens

Before you replace the pick up, please try to clean the lens with a alcohol soaked cotton swab.

### (2) Life of the laser diode (Fig.1)

When the life of the laser diode has expired, the following symptoms will appear.

- (1) The level of RF output (EFM output: amplitude of eye pattern) will be low.
- (2) The drive current required by the laser diode will be increased. In such a case, check the life of the laser diode following the flowchart below.



(Fig.1)

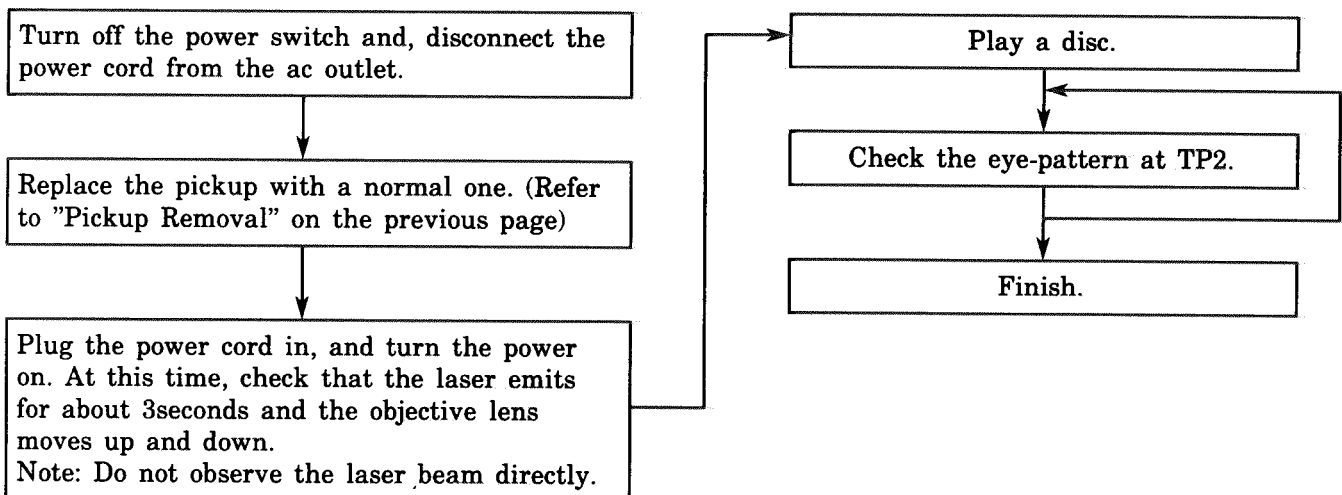
### (3) Semi-fixed resistor on the APC PC board

The semi-fixed resistor on the APC printed circuit board which is attached to the pickup is used to adjust the laser power. Since this adjustment should be performed to match the characteristics of the whole optical block, do not touch the semi-fixed resistor.

If the laser power is lower than the specified value, the laser diode is almost worn out, and the laser pickup should be replaced.

If the semi-fixed resistor is adjusted while the pickup is functioning normally, the laser pickup may be damaged due to excessive current.

## Replacement of Laser Pickup



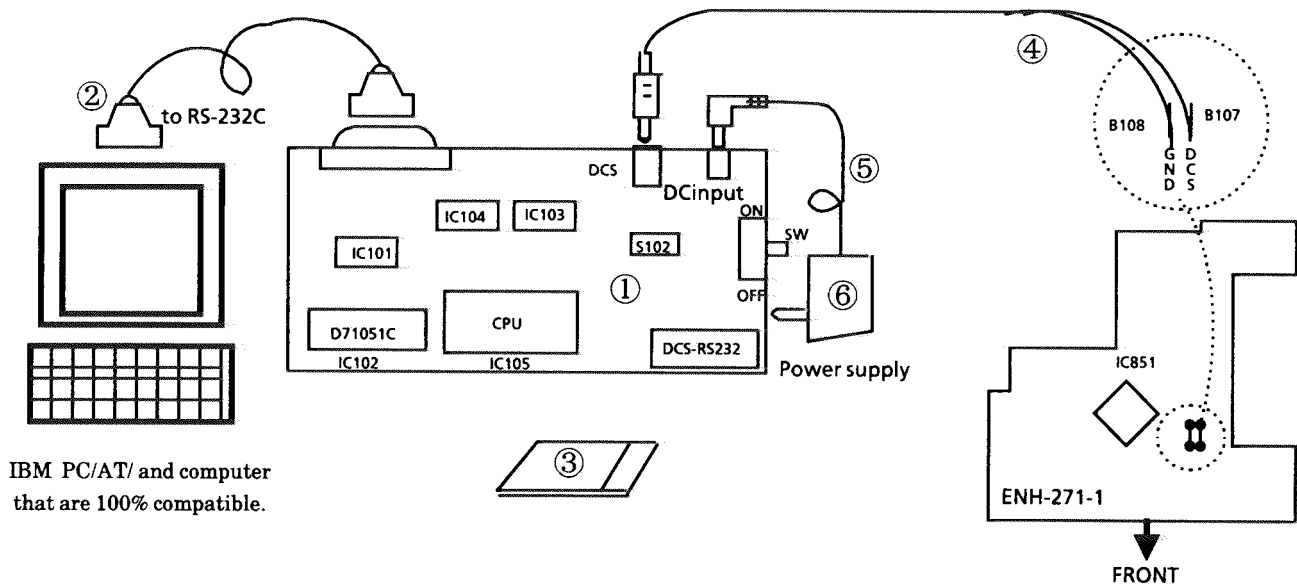
## Self-diagnosis for pickup

From DCS output, this model reads automatically adjusted data for CD so that the pickup can be judged defective or not. Following shows its details.

### 1. Necessary items

- ① DCS → 232C Converting board (No.EBSJ1022)
- ② 232C cord (straight)
- ③ Floppy disc for self-diagnosis (No.EBSJ1022)
- ④ DCS cord
- ⑤ Cord of Power supply (E407992-001)
- ⑥ Power supply DC 6.3V (AA-SV11J--America/Canada) (AA-SV11Bs--the UK)  
(AA-SV11G--Germany) (AA-SV11EF--Continental Europe) (AA-SV11U--the  
Other aria)
- ⑦ CD (without scratches or damage)

### 2. Connection



### 3. Procedure to use CD self-diagnosis jig by IBM PC

Two com pins are frequently adopted in recent IBM AT and its substitute RS232C port.

This jig can also use both COM1 and COM2.

DEFAULT is COM1. Indicate "2" to the option only for COM2.

When COM1 is used,...

I AUTO 01

When COM2 is used,...

I AUTO 02

[ NOTE ] Press ESC key to stop processing during the operation.

Contents of the attached floppy IBM self-diagnosis program VER.1.00 Execution file.

( Mistake the conection/Mistake the polarity )

## 4. Judgment

To judge whether pickup is defective or not, firstly process of automatic adjustment is checked by automatic adjustment flag. And, the value(automatic adjustment value for focus gain) displayed on the screen is used for its final judgment.

It is supposed that the pickup is defective or the signal path is faulty if the Flag1 or Flag0 indicates not "F" but a figure.

(See the following example.)

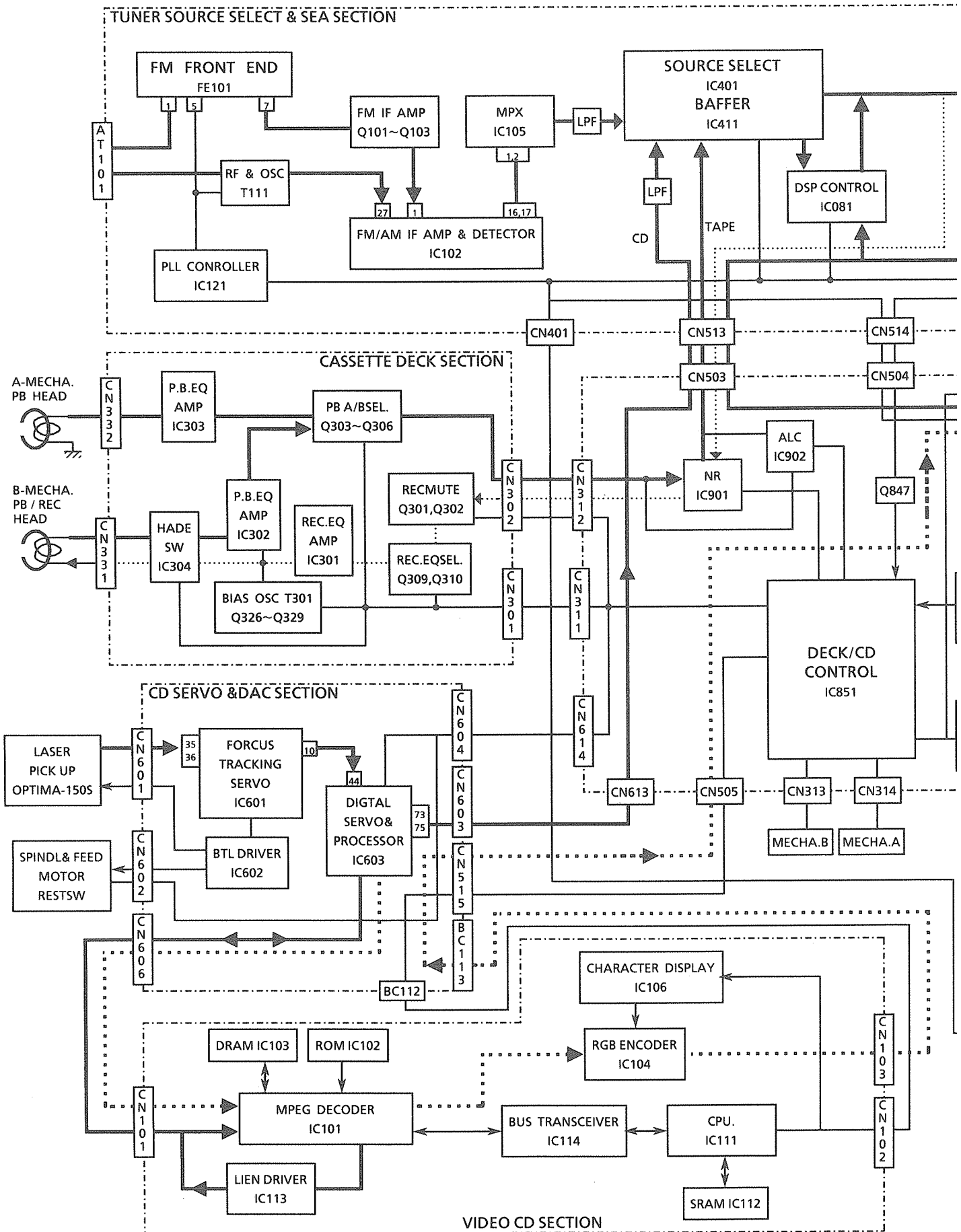
Flag1	Flag0	Details	Supposed cause
0	0	Automatic adjustment for tracking offset is failed.	The automatic adjustment is not completed. (Trouble in circuit.)
0	1	Automatic adjustment for focus offset is failed. (Disc does not rotate.)	The lens does not move. (Power supply is not turned on. Wire is cut.)
0	3	Automatic rough adjustment for focus gain is failed.	
0	7	Automatic rough adjustment for tracking gain is failed. (The focus and tracking gain are not locked though the disc rotates.)	Laser deterioration (low RF signal output). Offset beam.
0	F	Disc rotates, focus and tracking gain are locked and automatic rough adjustment for tracking gain is also completed though automatic adjustment for tracking balance is failed.	Laser deterioration (low RF signal output). Offset beam.
1	F	Automatic adjustment for focus balance is failed. (TOC is not read though the disc rotates.)	RF signal output is low. Tracking loop is not turned on. RF jitter is too much.
3	F	Automatic rough adjustment for focus gain is failed.	
7	F	Automatic rough adjustment for tracking gain is failed.	
F	F	All automatic adjustments are completed.	

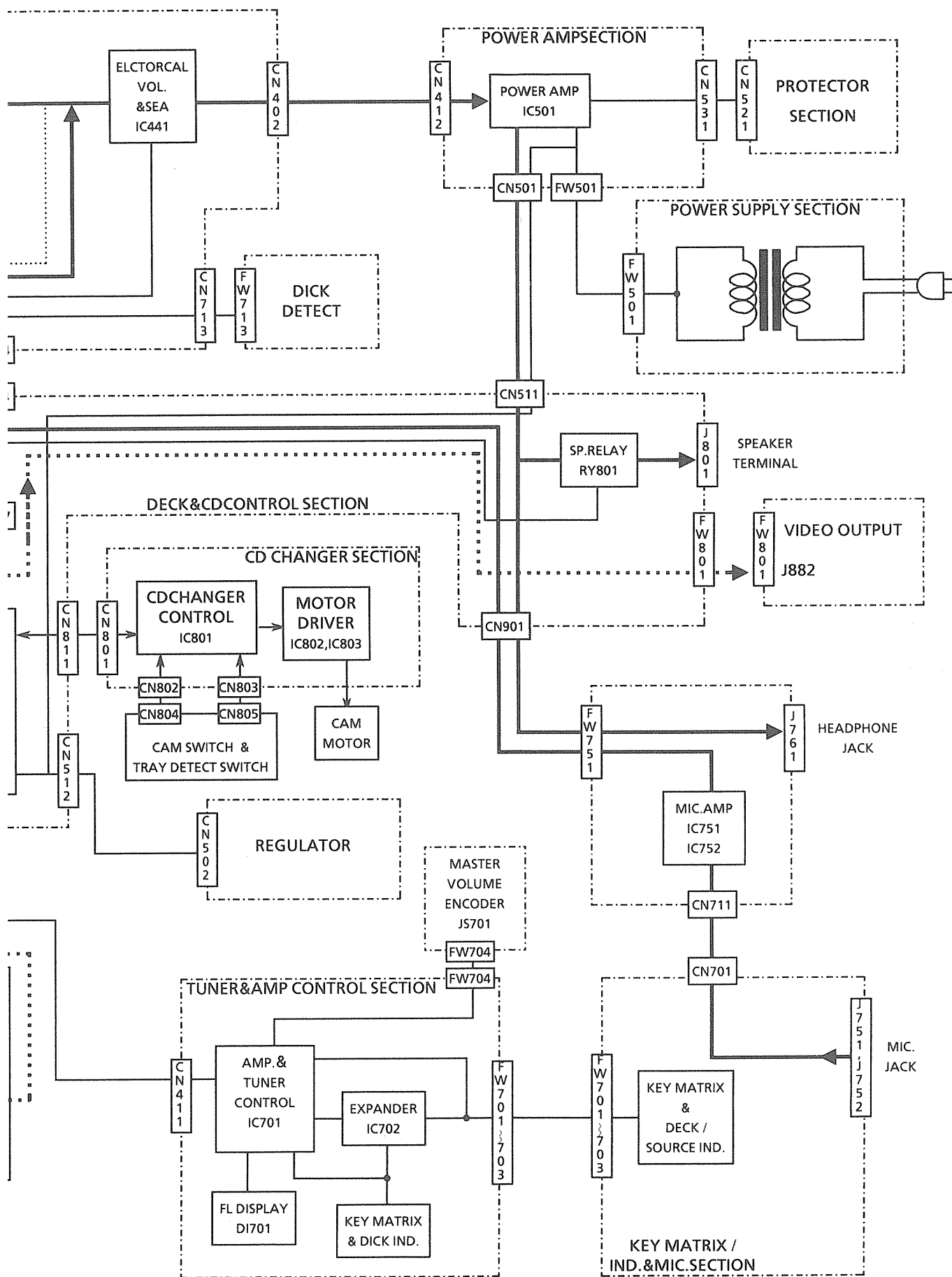
The pickup is judged defective though the Flag0 and Flag1 indicate "F" and those adjustments are completed if the adjustment value exceeds 19dB.





# Block Diagram





## Schematic Diagrams

### ■ Power Primary Section

#### VERSION CODES

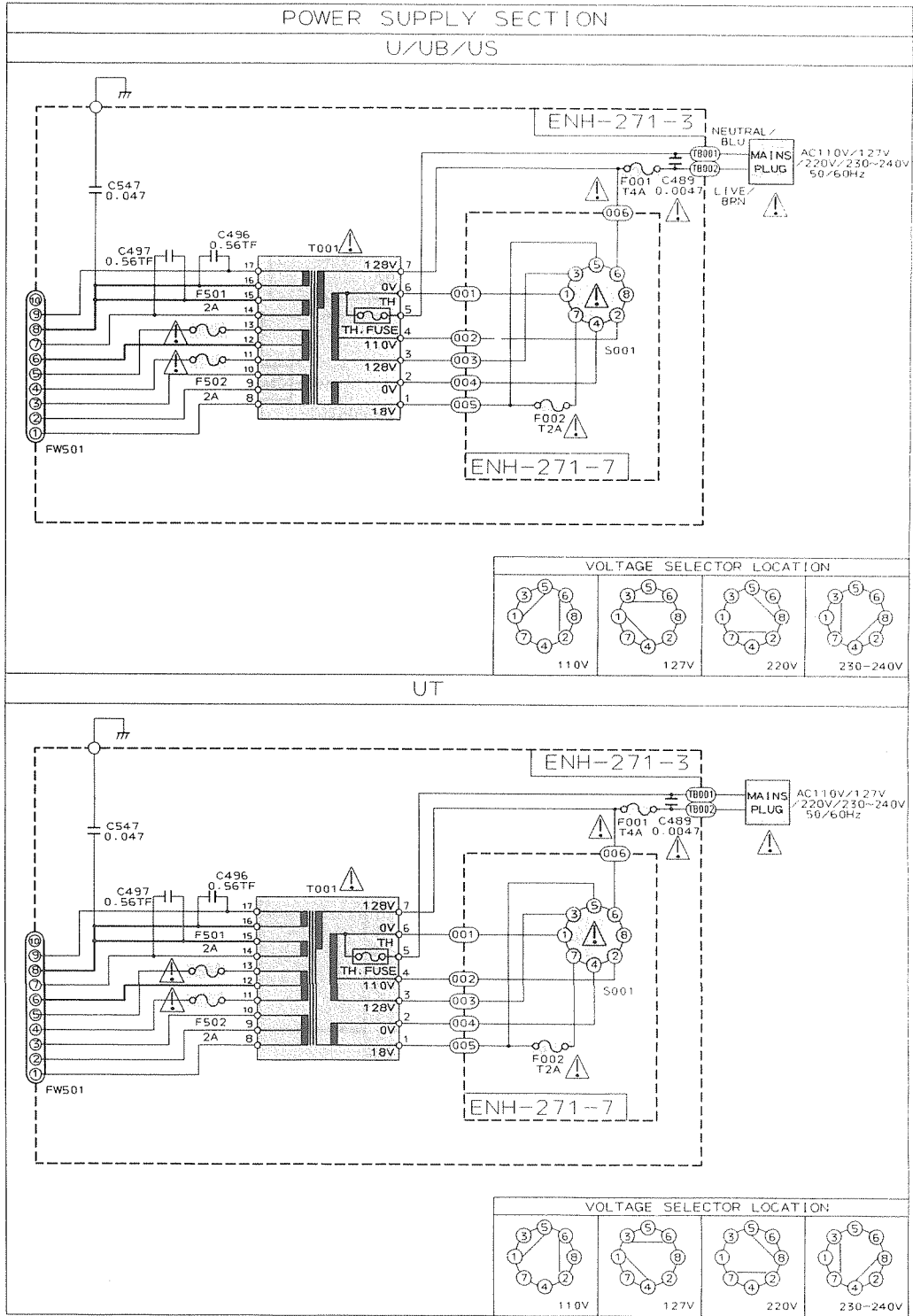
UB : HONGKONG  
 US : SINGAPORE  
 UT : TAIWAN  
 U : UNIVERSAL EXCEPT ALL OF ABOVE

### EXPLANATION OF OVERALL OF SCHEMA.

MODEL CA-V605T

SHEET NUMBER	MODEL NUMBERS TO BE APPLIED	CIRCUITS DESCRIPTION
1/7	CA-V605T	· PRIMARY WITH MAINS TRANSFORMER
2/7	CA-V605T	· DC REGULATORS/AUDIO OUTPUT · TAPE DECK MECHANISMS CONTROL · SYSTEM CONTROL LSI FOR TAPE DECK CD
3/7	CA-V605T	· EXTERNAL SIGNAL INPUT · SOURCE SELECTOR SWITCH/DSP/TUNER IF/FM MULT
4/7	CA-V605T	· FL DISPLAY/USER CONTROL KEYS/SYSTEM CONTROL · MIC AMPLIFIER
5/7	CA-V605T	· MISCELLANEOUS CIRCUITS FOR TAPE DECK SUCH AS · AMPLIFIER, SWITCH, BIAS AND OTHERS /DIGITAL PI · AND SERVO FOR AUDIO DISC
6/7	CA-V605T	· SYSTEM CONTROL LSI FOR VIDEO CD, CD GRAPHICS
7/7	CA-V605T	· AUDIO DISC MECHANISMS CONTROL

NOTES:  
 MARK (\*) IS TO SHOW DEVIATION IN VERSIONS.  
 DETAILS ARE EXPLAINED NEAR THE MARK.



MULTIPLEX

TROL LSI/

CH AS  
AL PROCESSOR

HICS

**Notes:**

1. indicates Main signal path.
2. indicates REC. signal path.
3. indicates Video signal path.

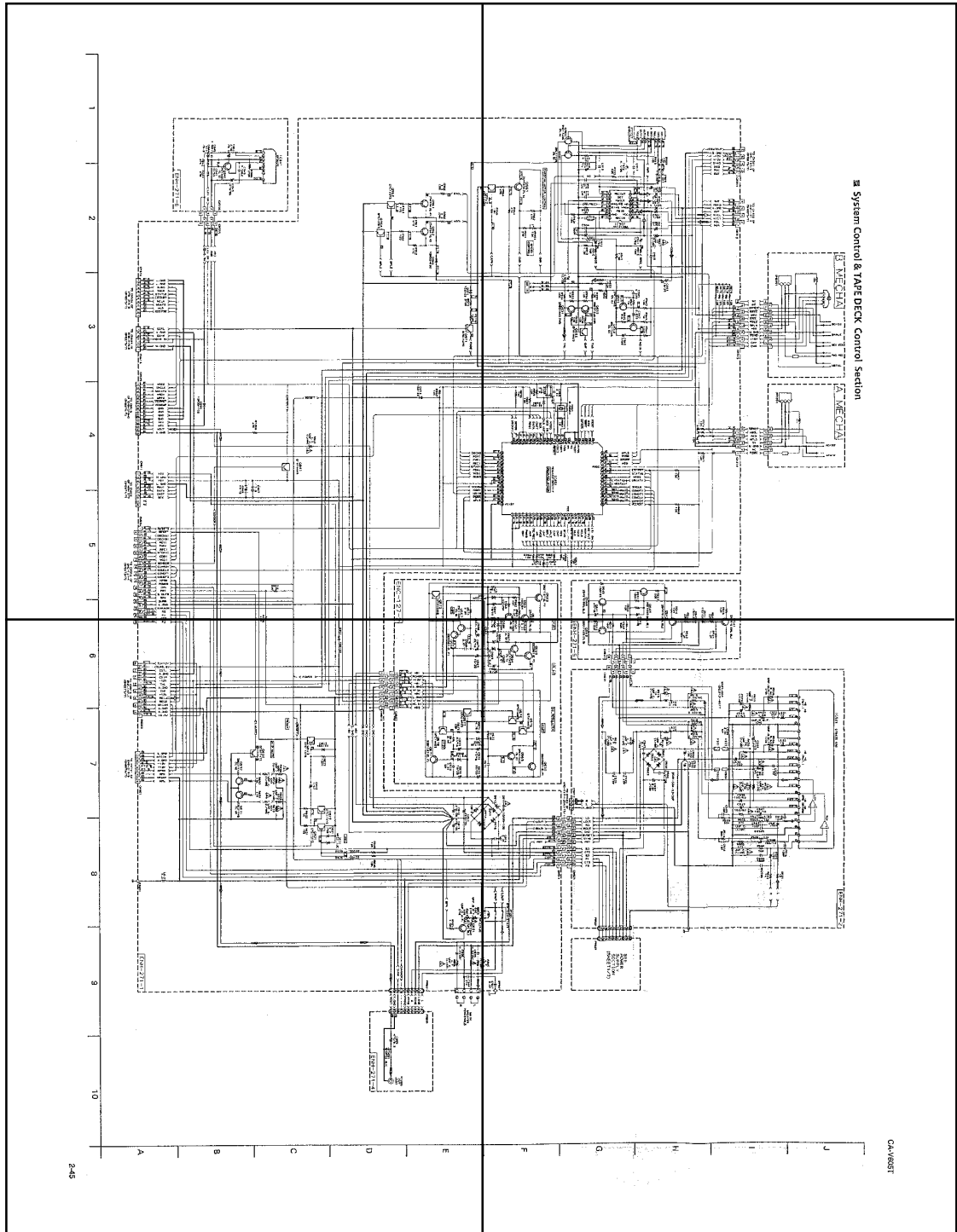
4. When replacing the parts in the darkened are ( ) and those marked with , be sure to use the designated parts to ensure safety.

5. This is the standard circuit diagram.  
The design and contents are subject to change without notice.



P2-45-a

P2-45-b



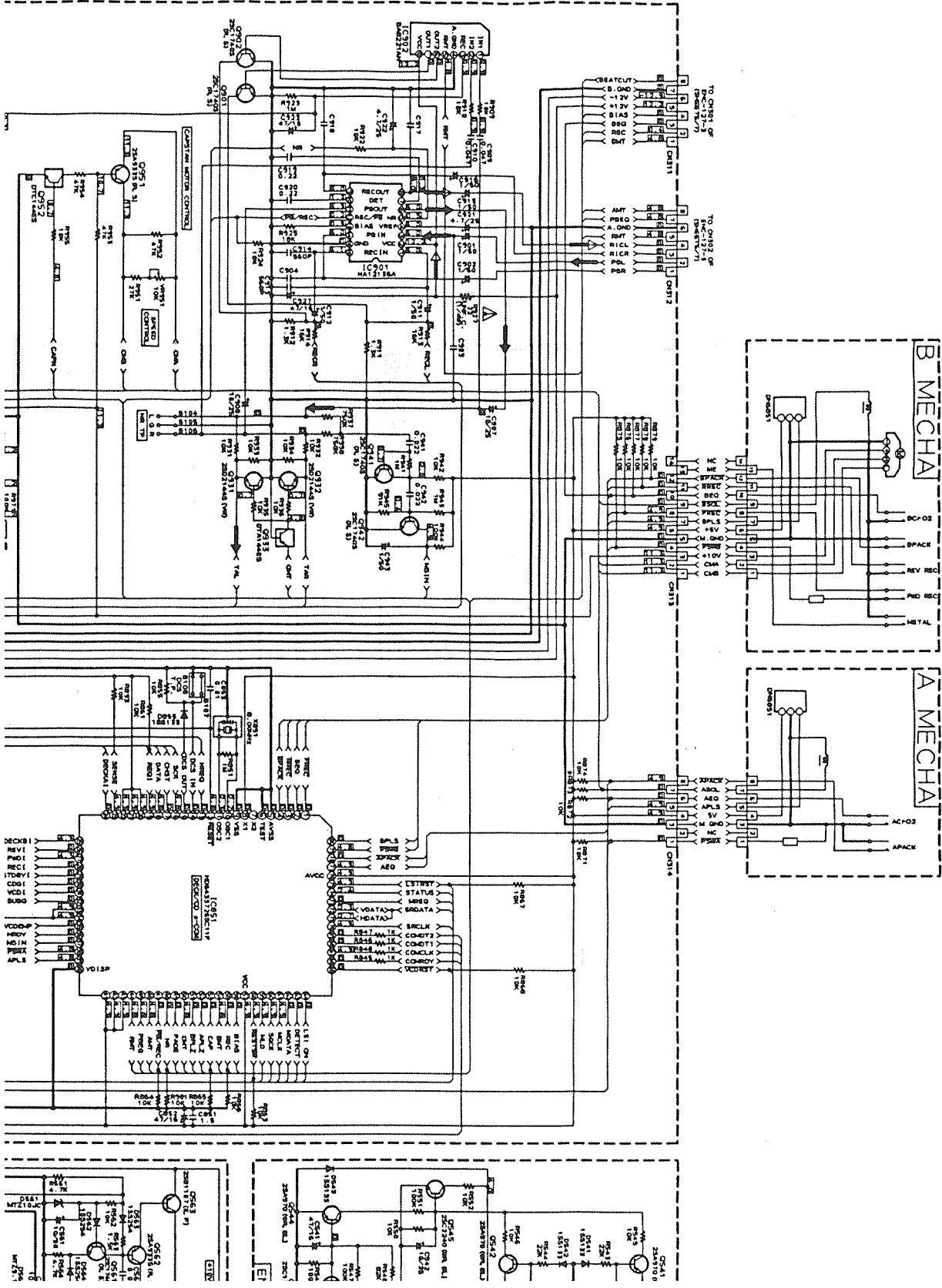
P2-45-c

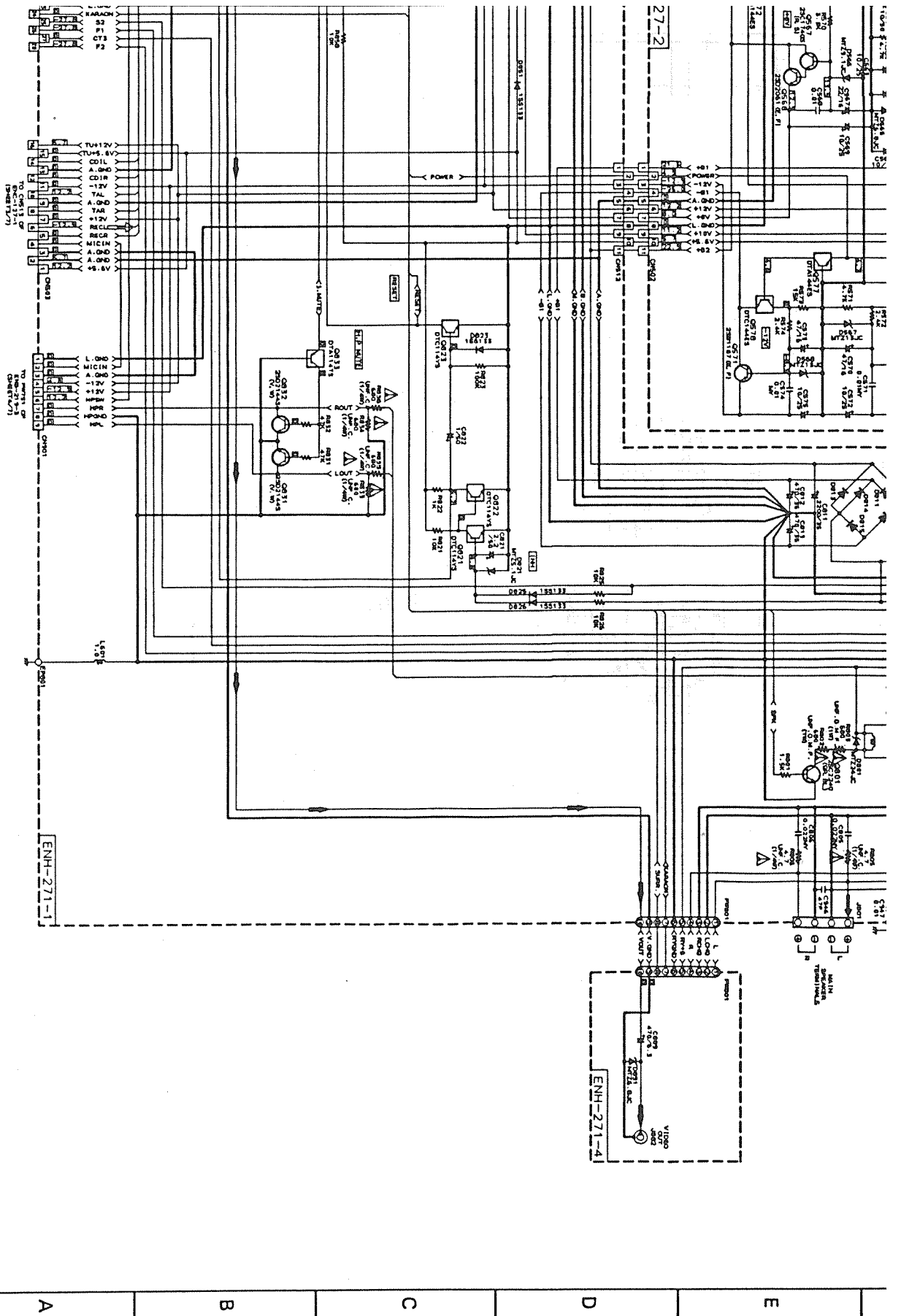
P2-45-d





# System Control & TAPE DECK Control Section





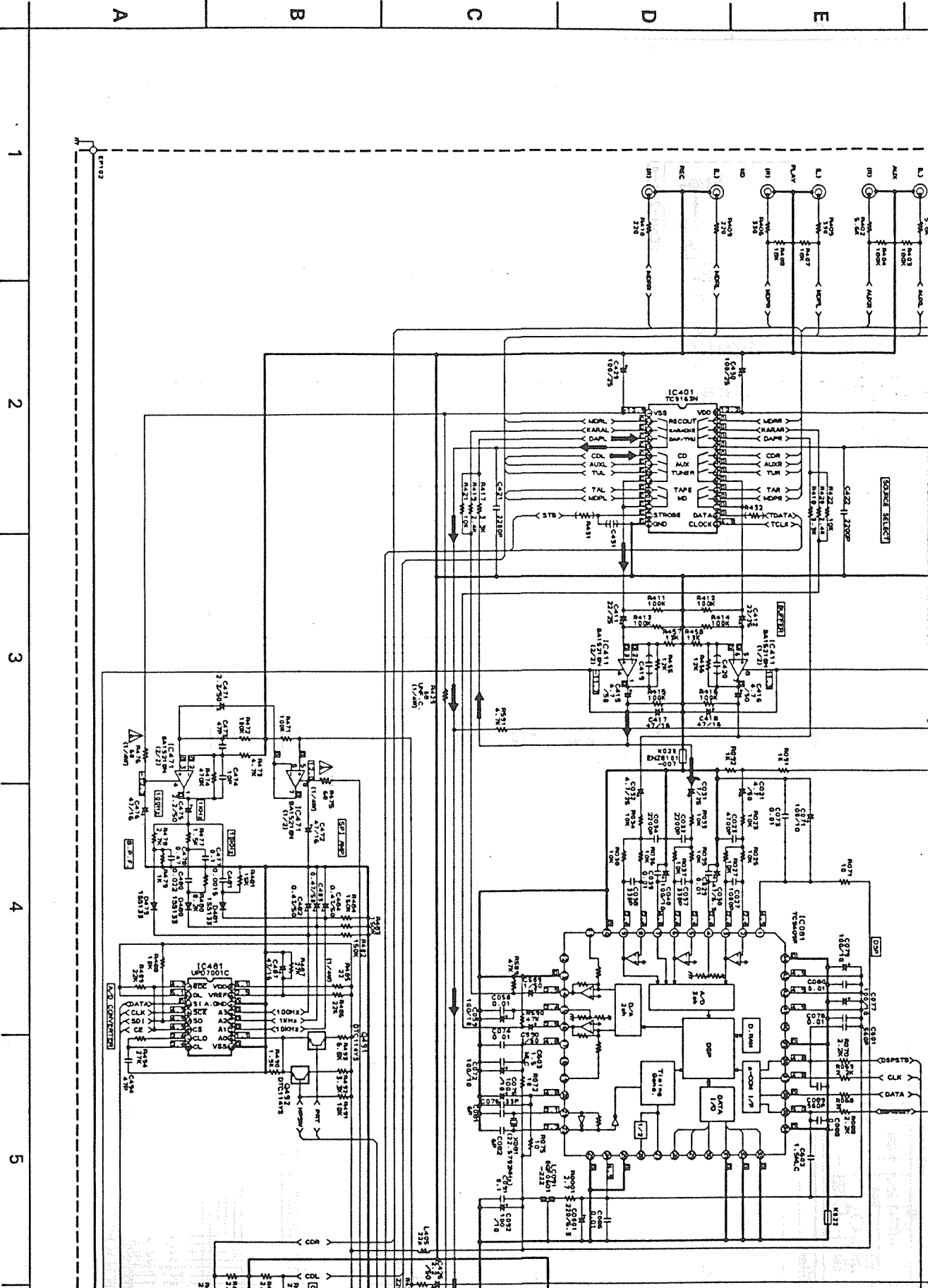
6 7 8 9 10

A B C D E

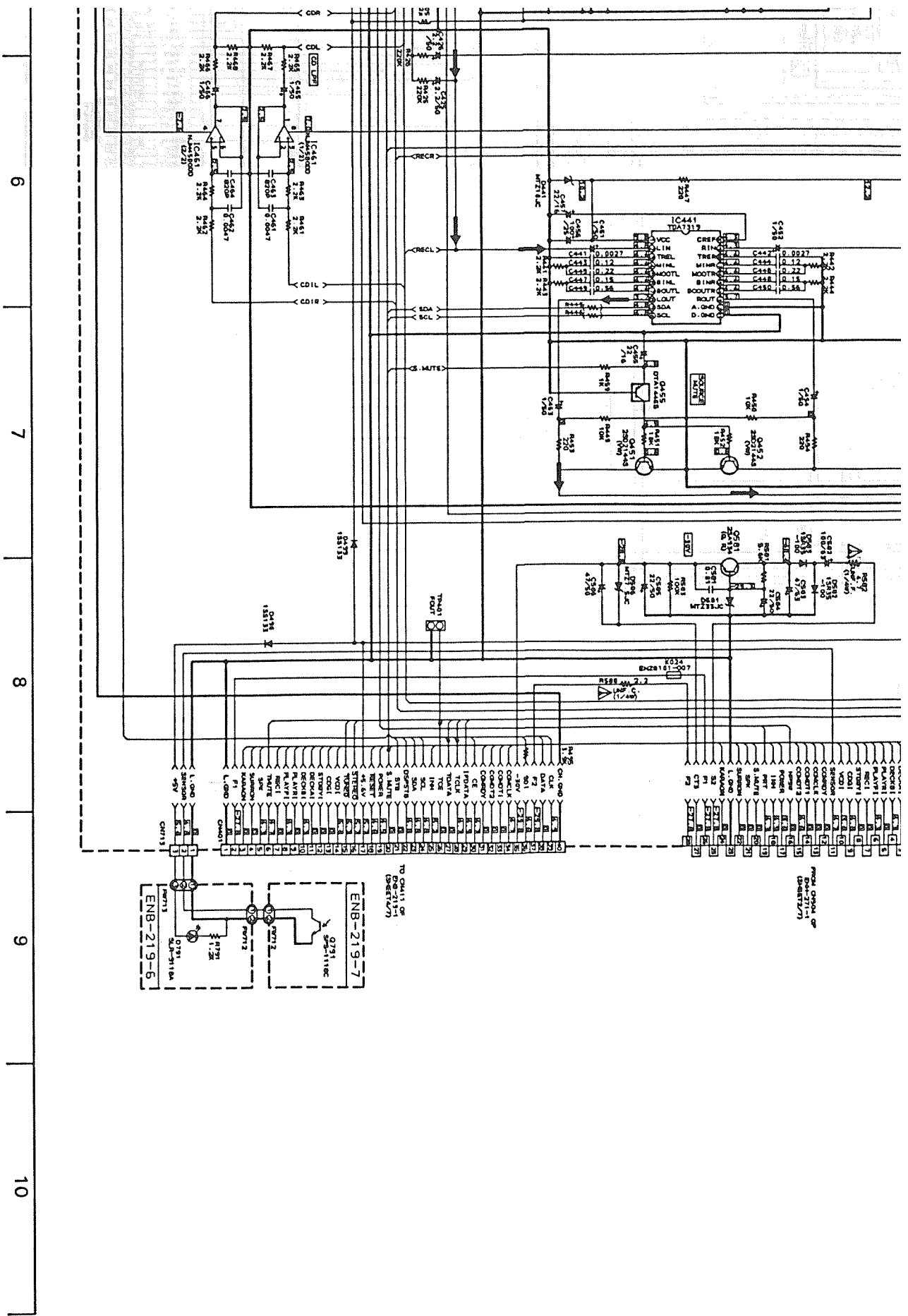






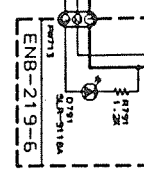
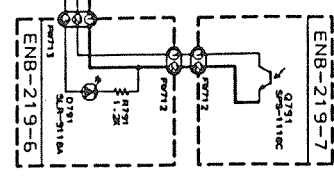






FROM CHINA OF  
R04-271-1  
D8487777

TO CHINA OF  
R04-271-1  
D8487777



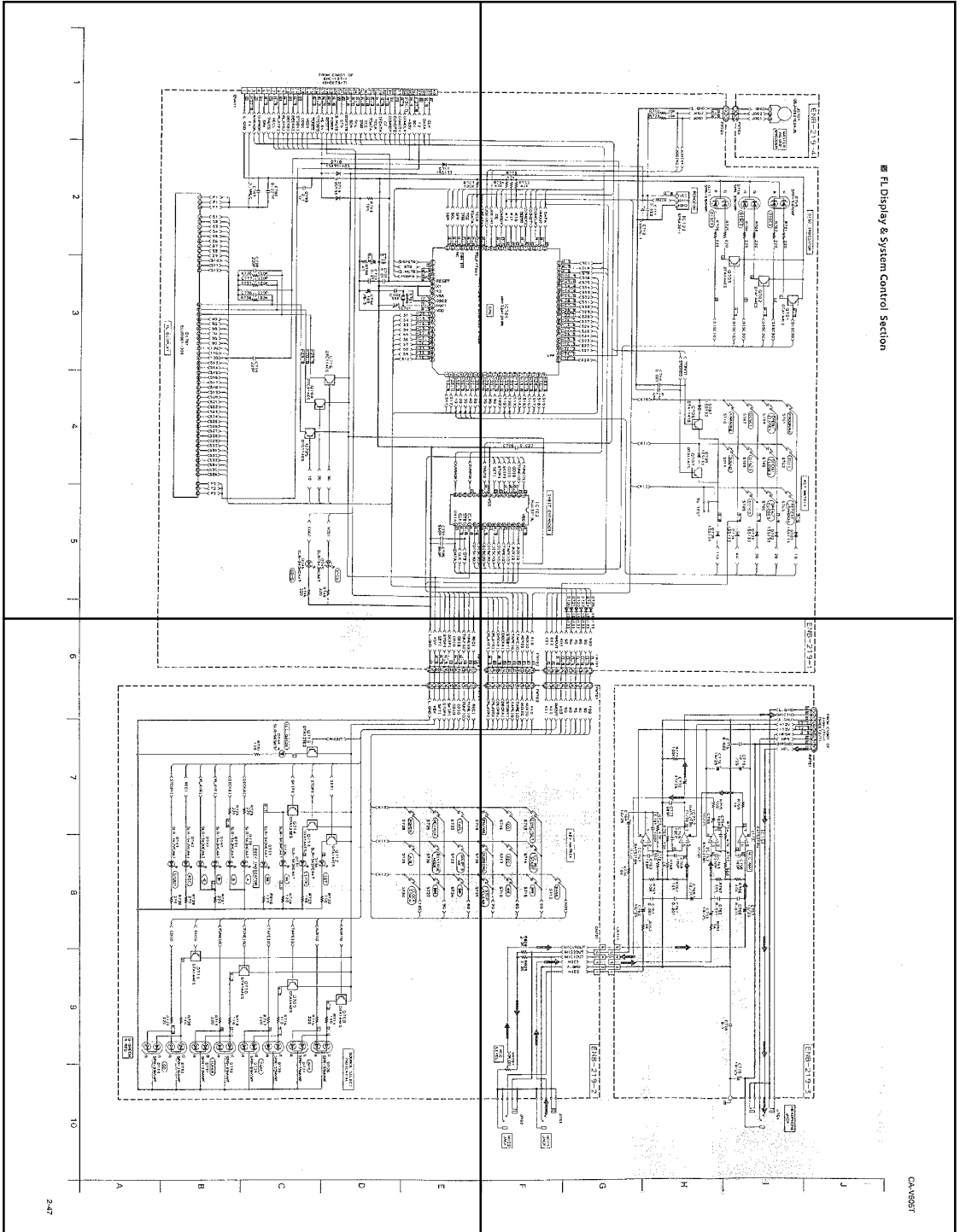






P2-47-a

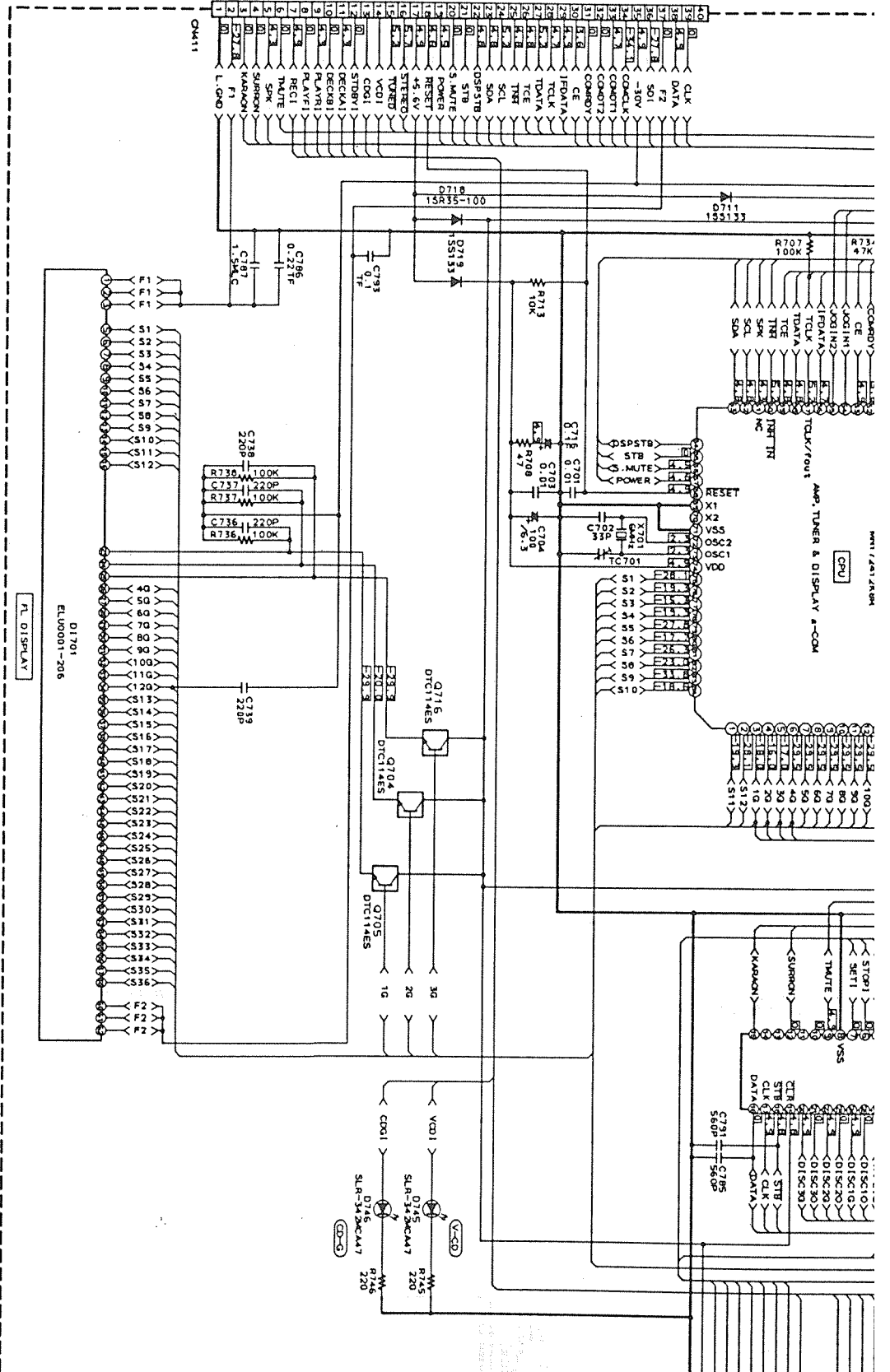
P2-47-b



P2-47-c

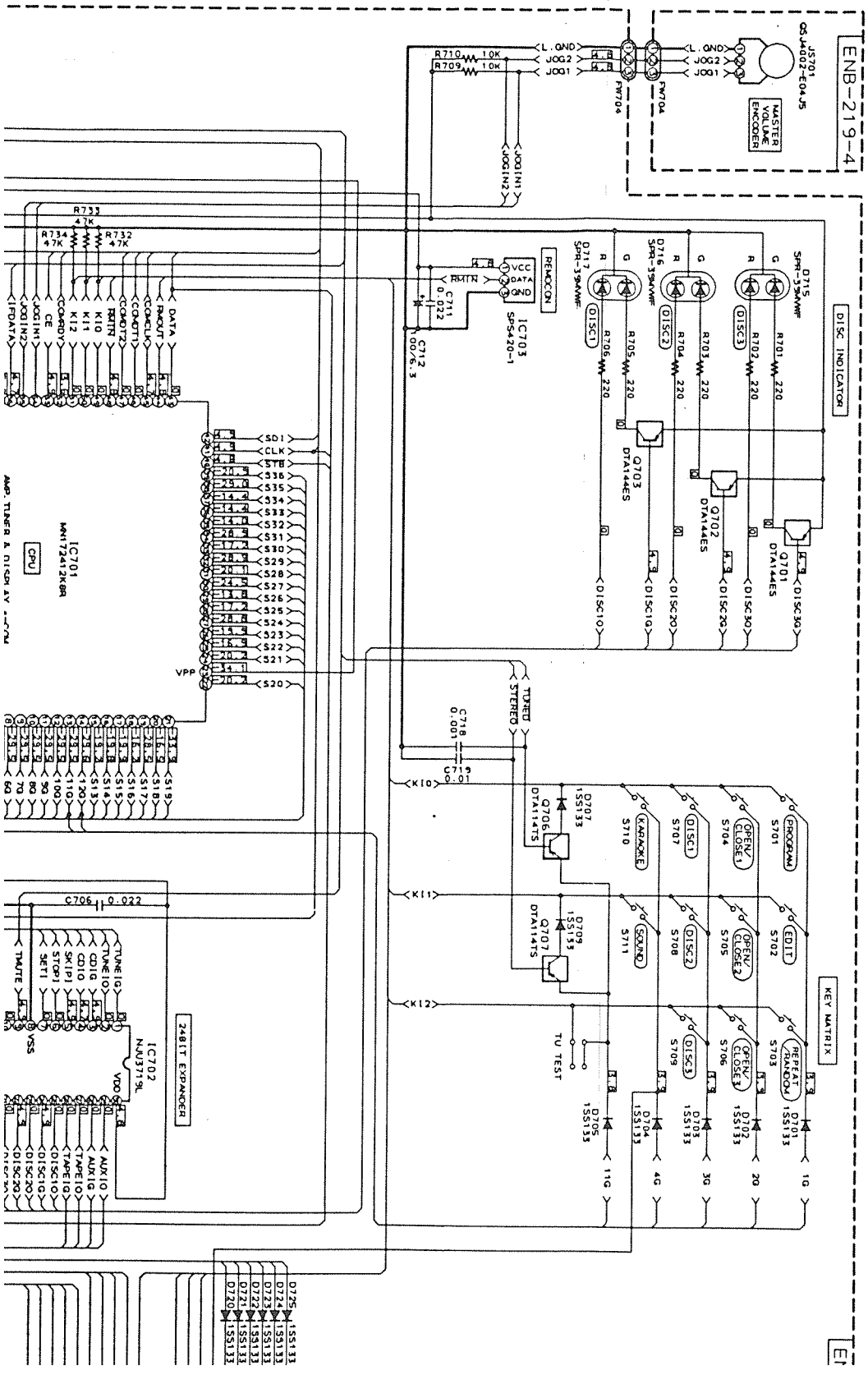
P2-47-d

FROM CN401 OF  
ENC-127  
(SHEETS/7)

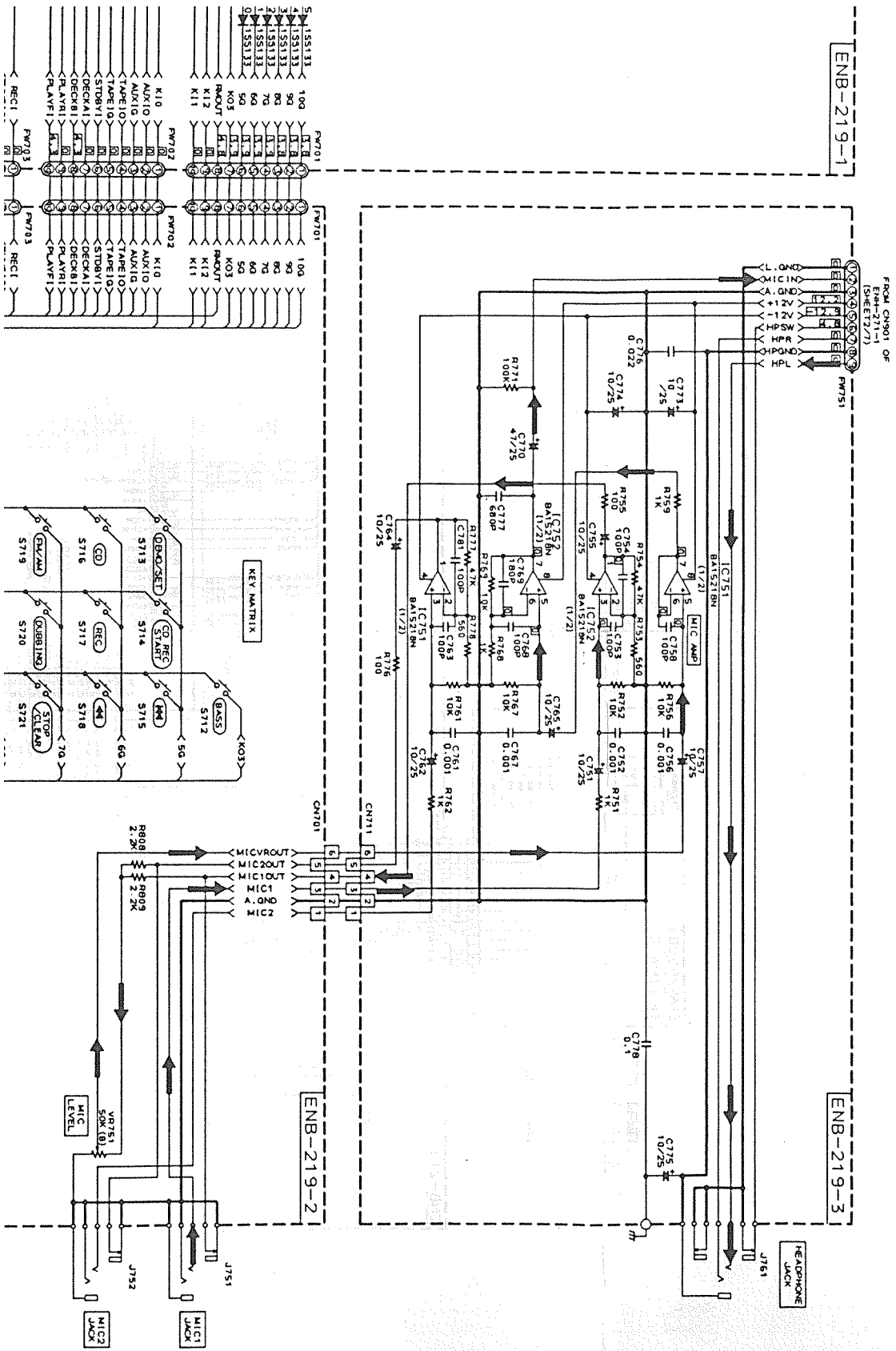


1 2 3 4 5

# FL Display & System Control Section







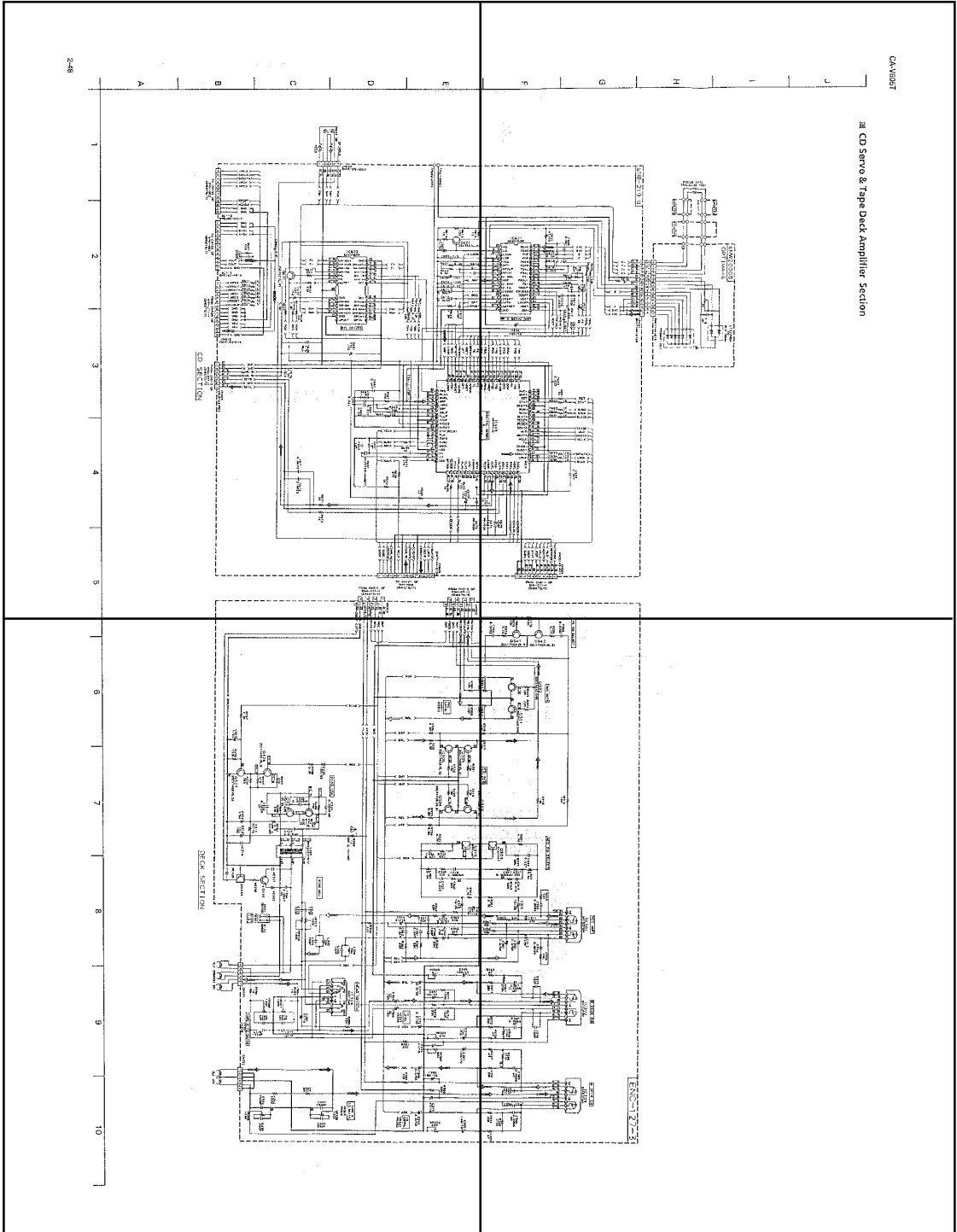
F G H I J





P2-48-a

P2-48-b

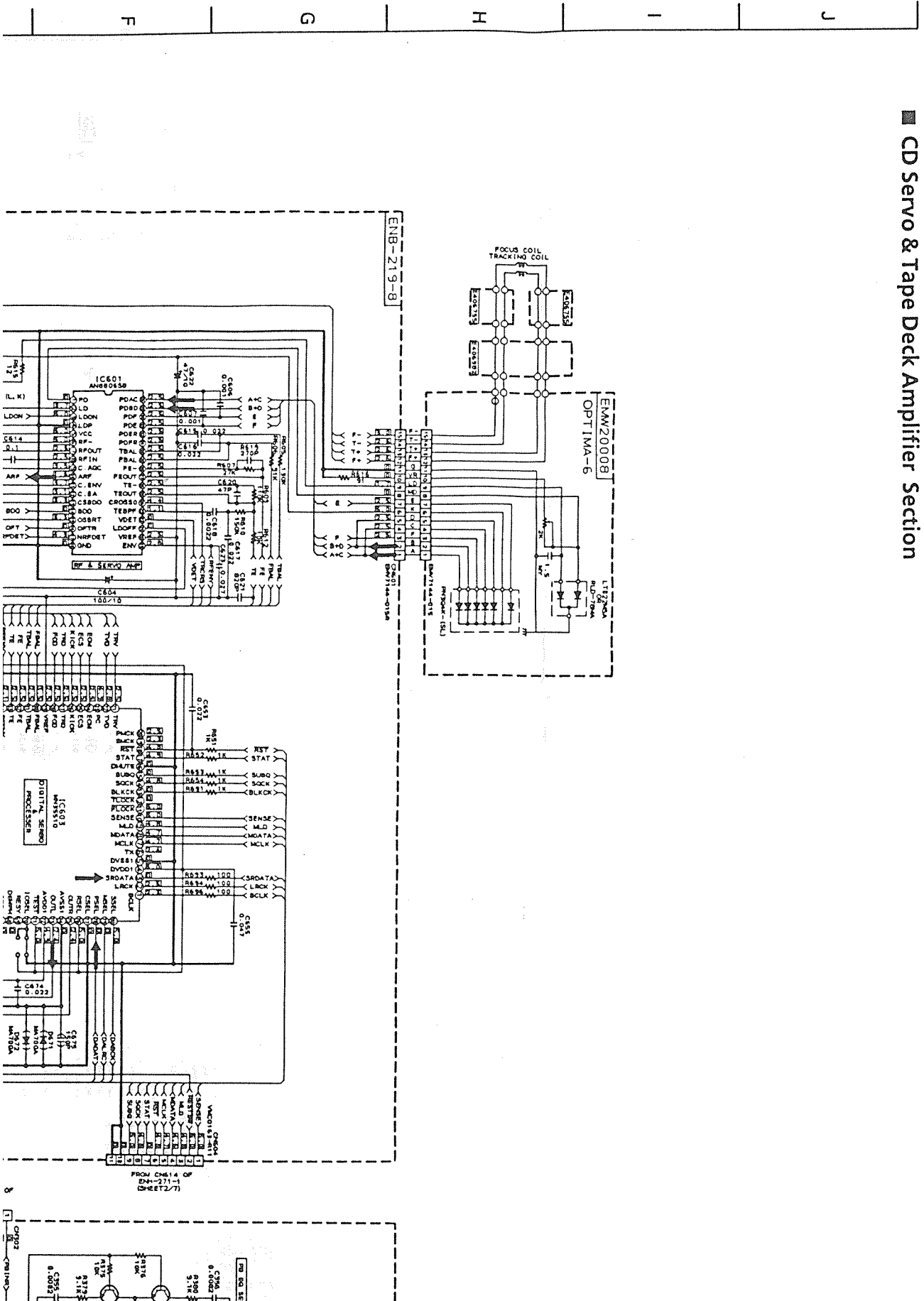


P2-48-c

P2-48-d



### CD Servo & Tape Deck Amplifier Section



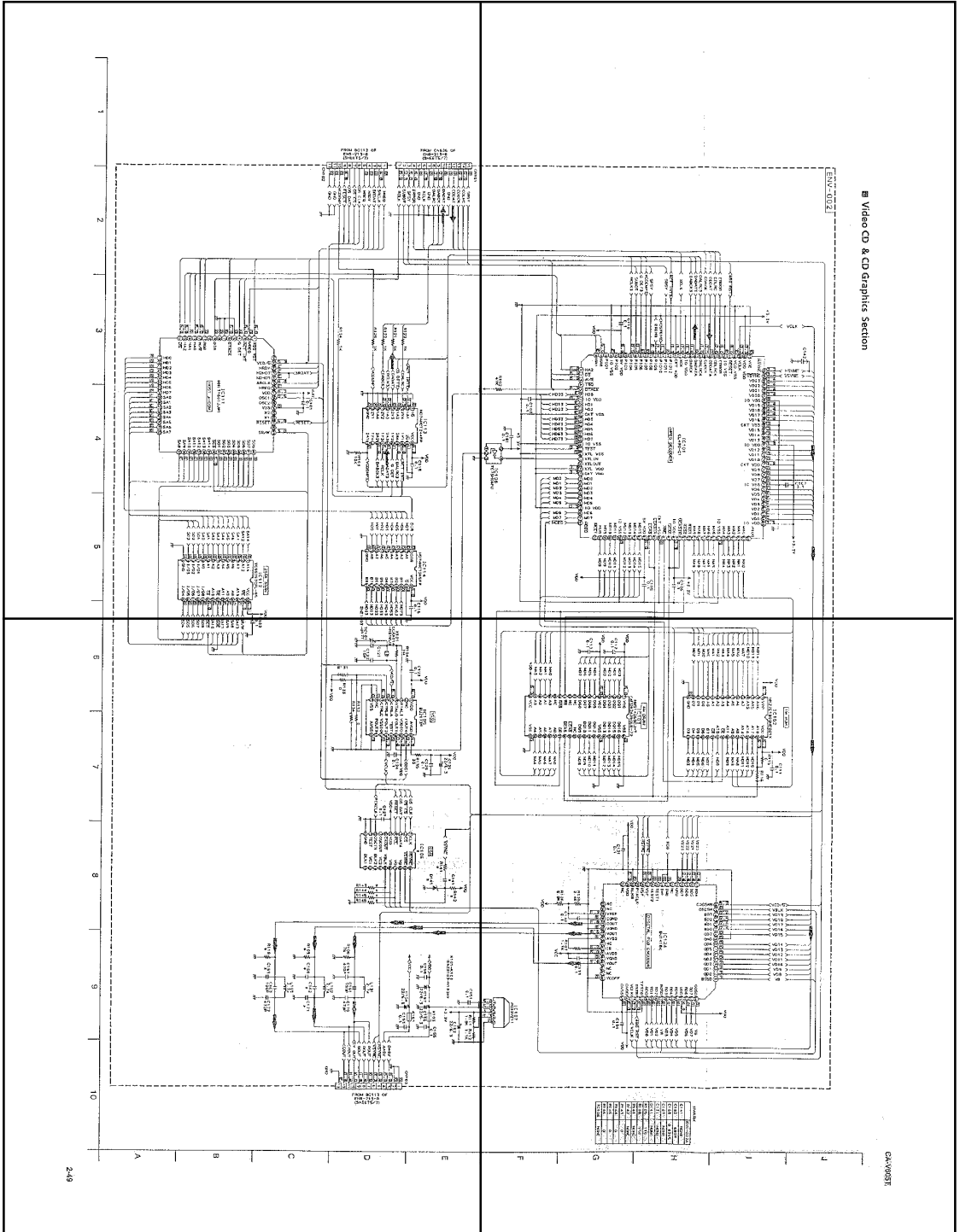






P2-49-a

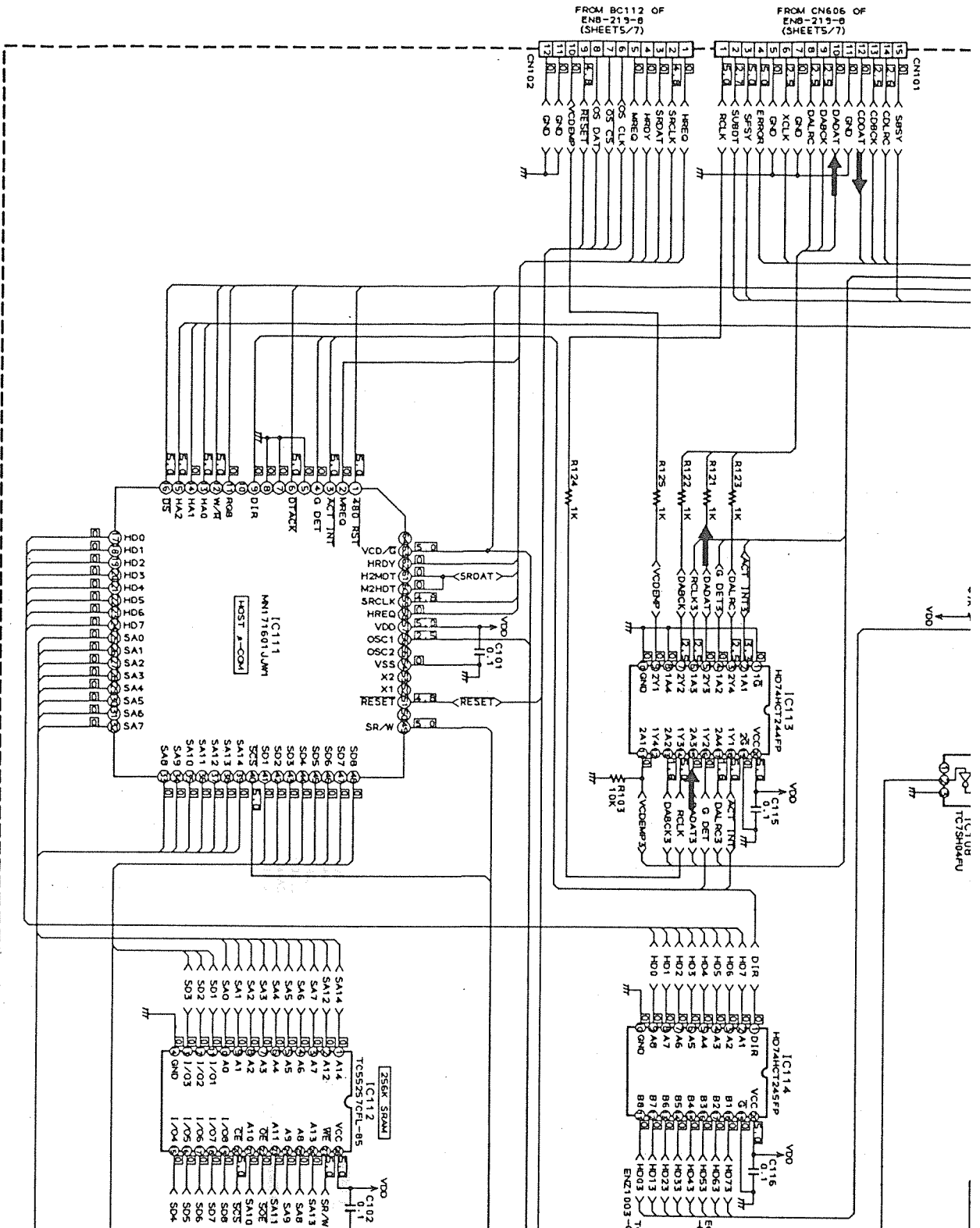
P2-49-b



P2-49-c

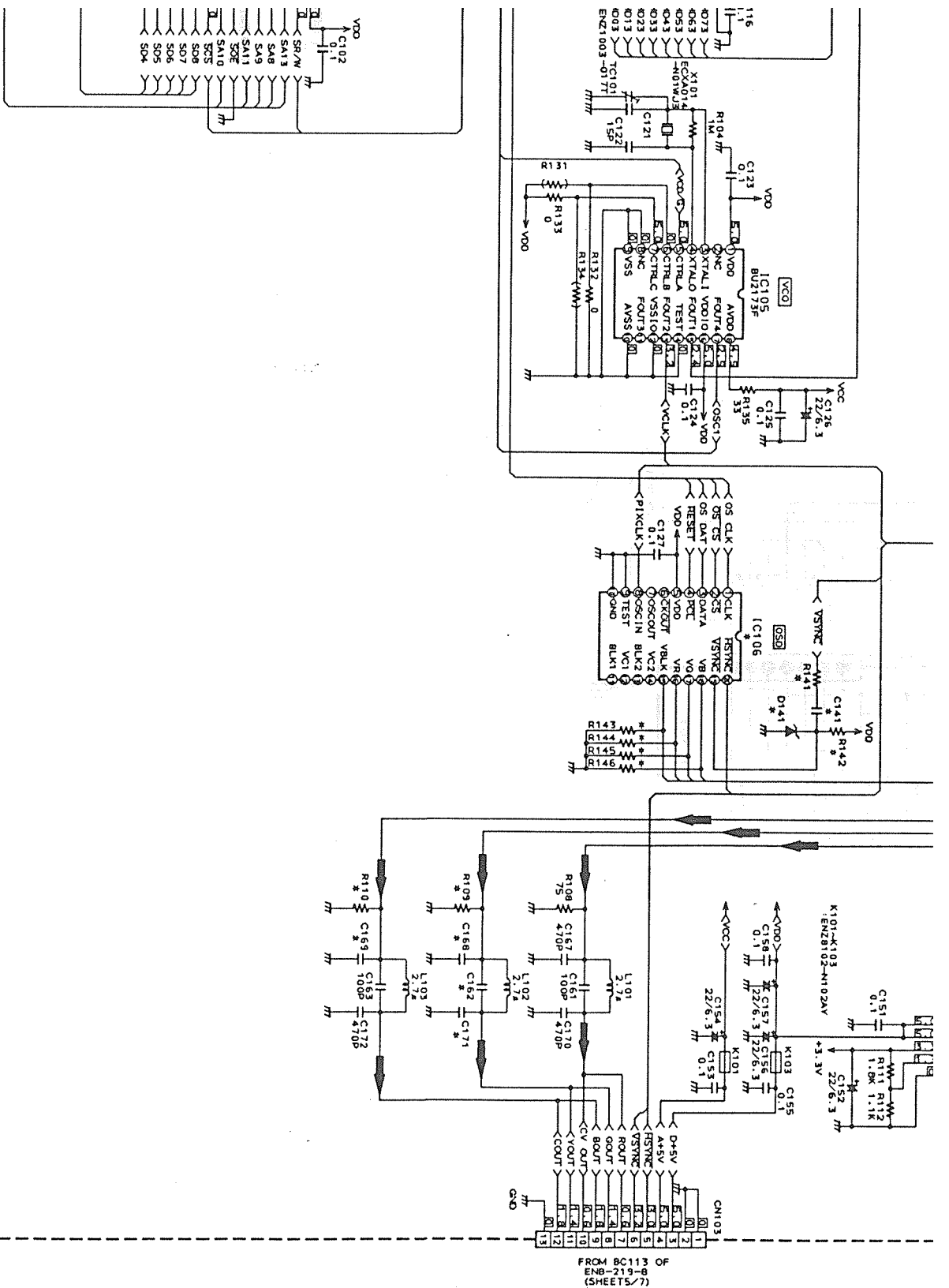
P2-49-d

1 2 3 4 5





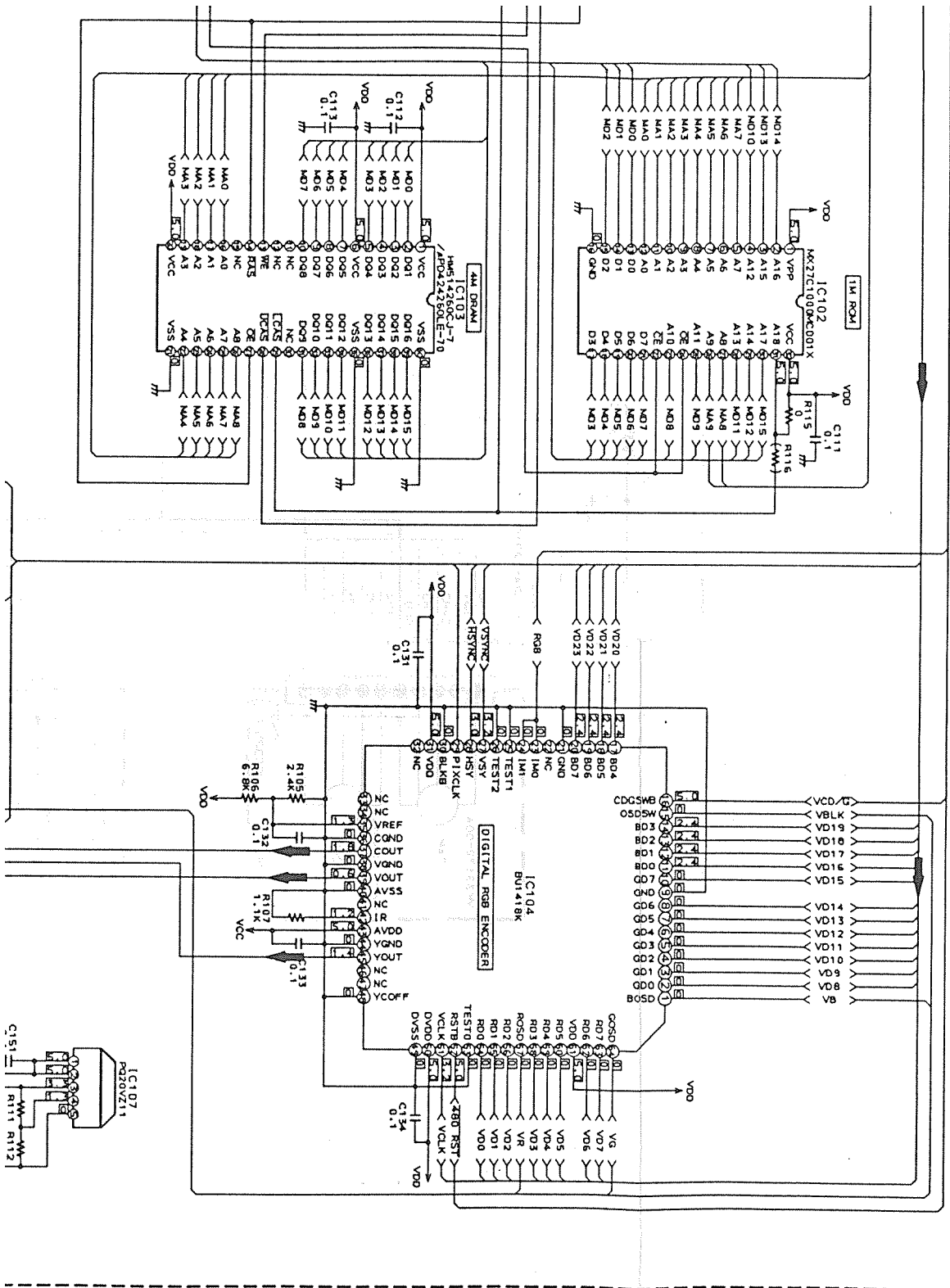




6 7 8 9 10

A B C D E

FROM BC113 OF  
ENB-215-5-3  
(SHEETS 7)



#MARK

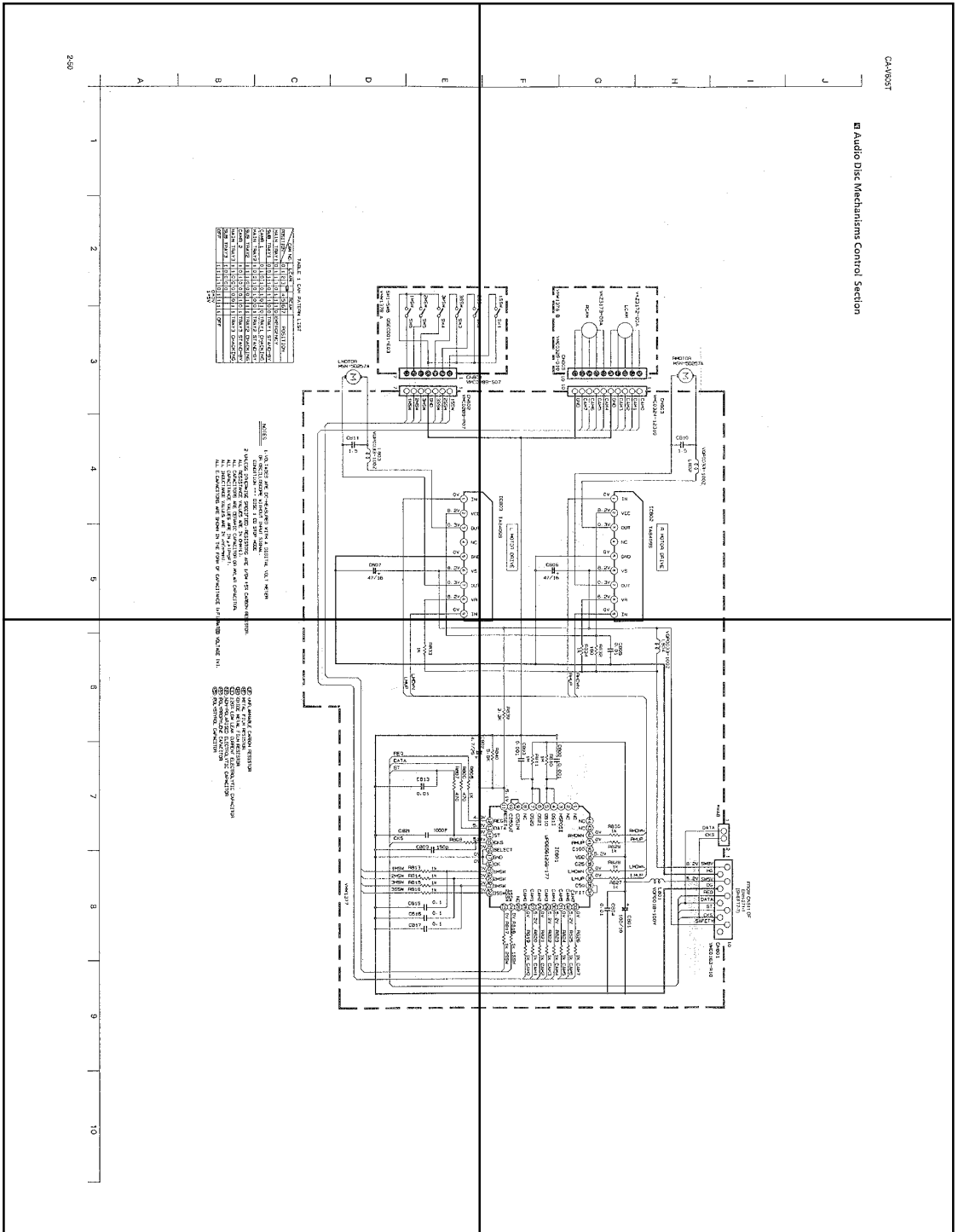
C141	ENV-G02A
C162	NONE
C168	680P
C169	0.001S
C171	NONE
C173	NONE
D141	NONE
R109	110
R110	150
R141	NONE
R142	NONE
R143	0
R144	0
R145	0
R146	0
IC106	NONE

J I H G F



P2-50-a

P2-50-b



P2-50-c

P2-50-d

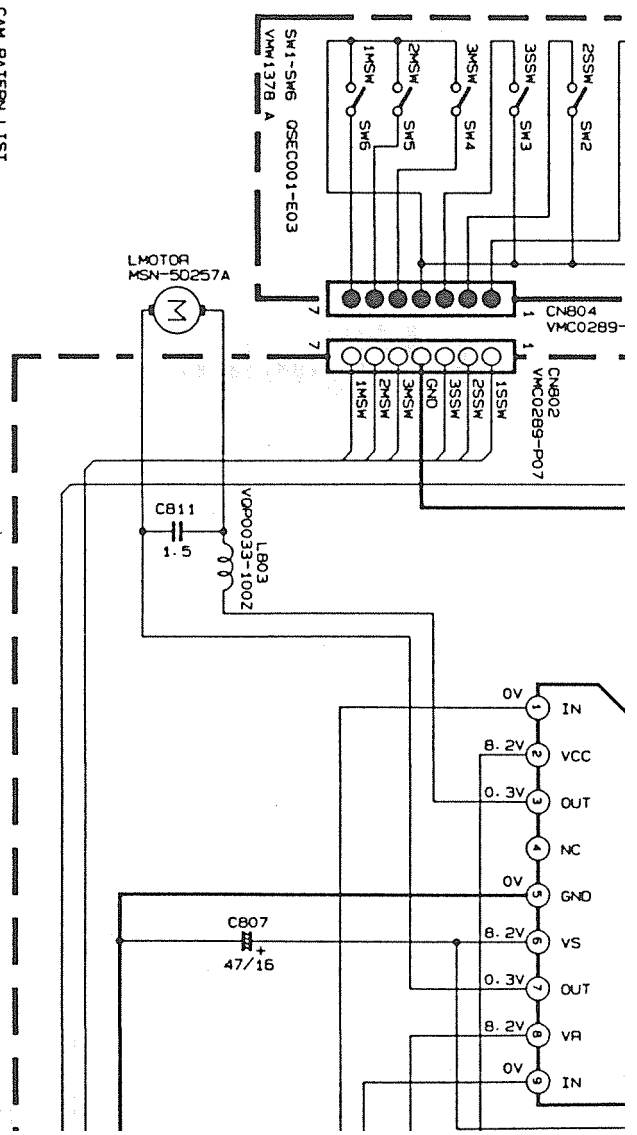


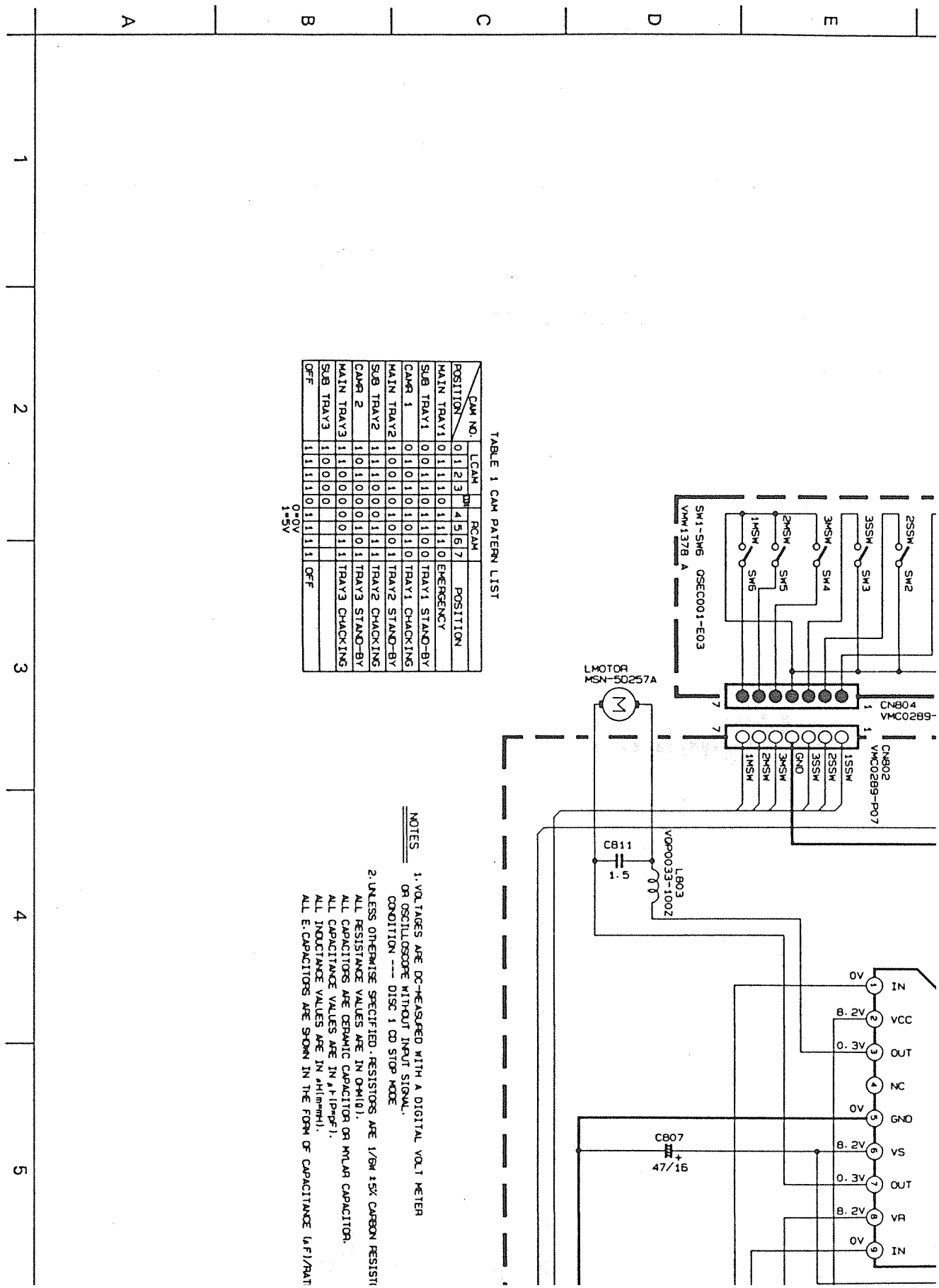
TABLE 1 CAM PATTERN LIST

CAM NO.	LCAM	RCAM	POSITION
POSITION	0 1 2 3	4 5 6 7	POSITION
MAIN TRAY1	0 1 1 1 1 0	1 1 1 1 1 0	EMERGENCY
SUB TRAY1	0 0 1 1 0	1 1 0 0	TRAY1 STAND-BY
CAMR 1	0 1 0 1 0	1 0 1 0	TRAY1 CHACKING
MAIN TRAY2	1 0 0 1 0	1 0 0 1	TRAY2 STAND-BY
SUB TRAY2	1 1 1 0 0	0 1 1 1	TRAY2 CHACKING
CAMR 2	1 0 1 0 0	0 1 0 1	TRAY3 STAND-BY
MAIN TRAY3	1 1 0 0 0	0 1 1 1	TRAY3 CHACKING
SUB TRAY3	1 0 0 0 0		
OFF	1 1 1 1 0	1 1 1 1	OFF

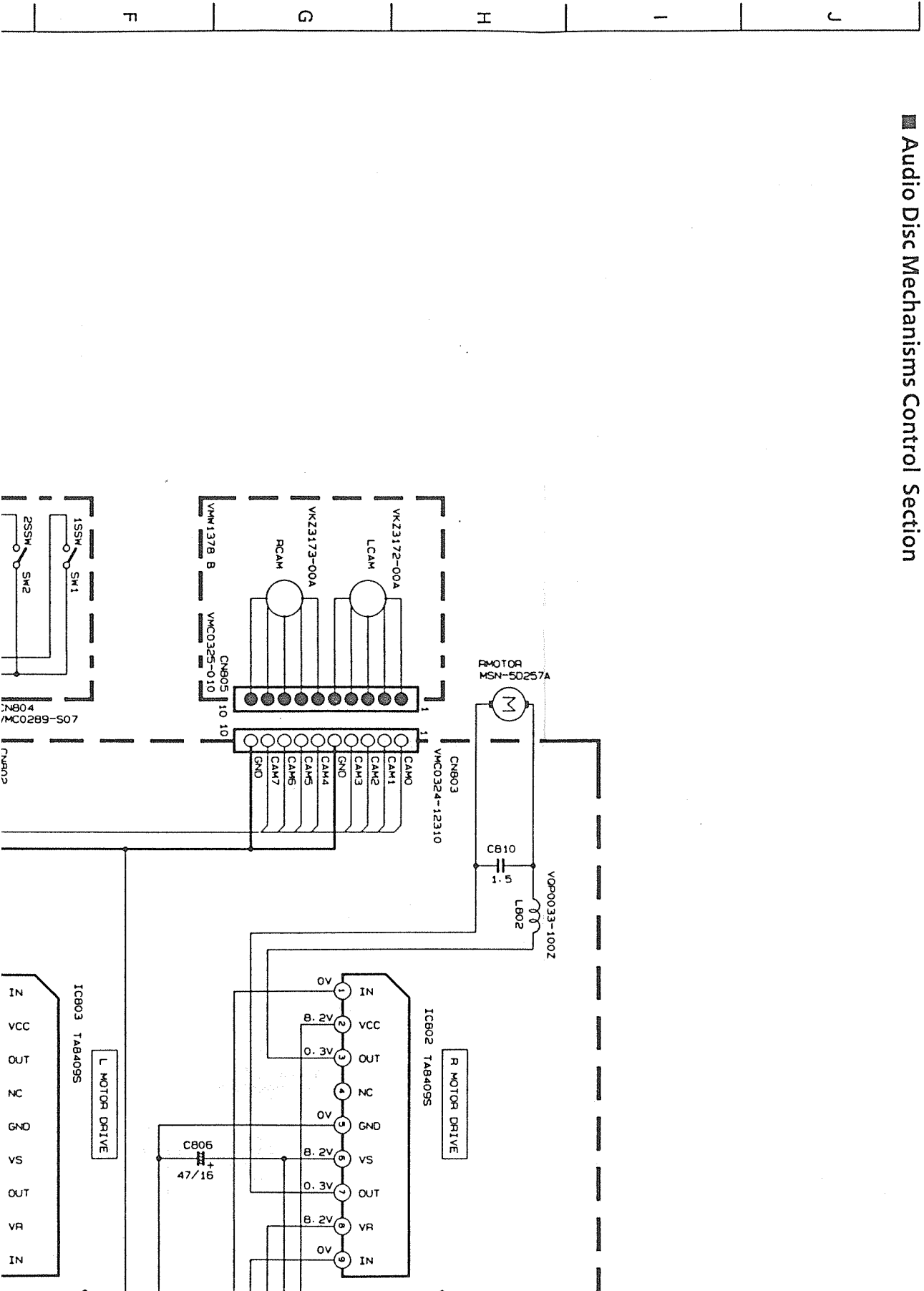
0=0V  
1=5V

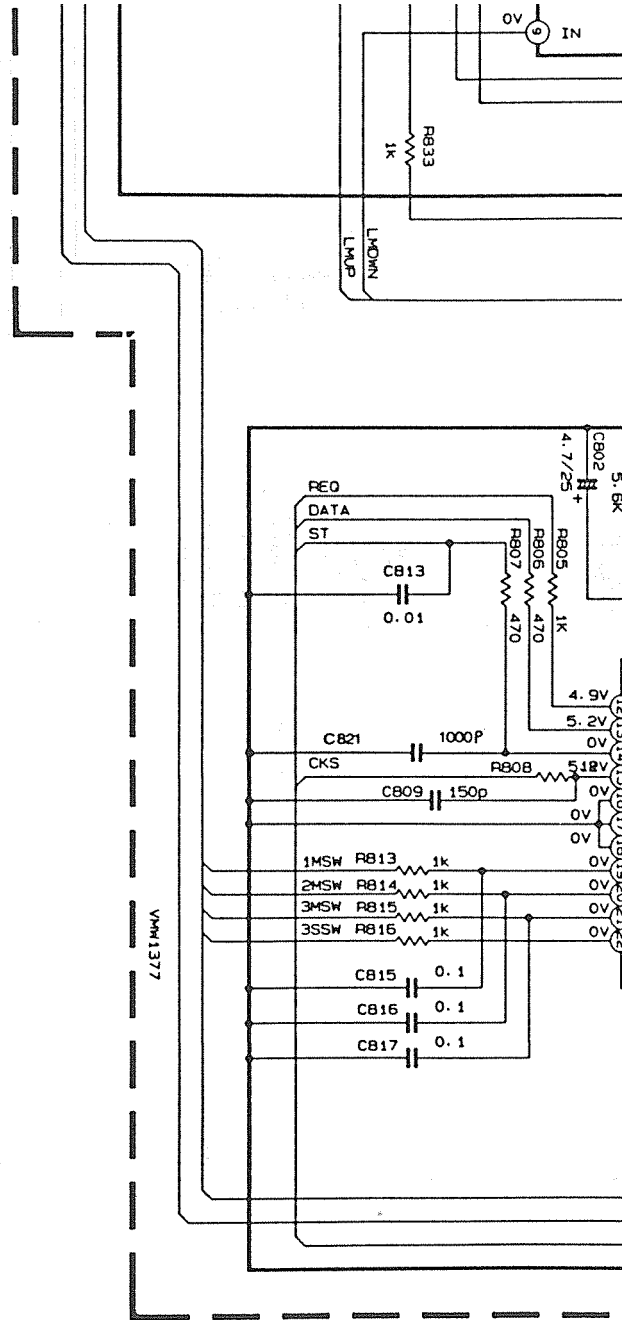
NOTES

1. VOLTAGES ARE DC-MEASURED WITH A DIGITAL VOLT METER OR OSCILLOSCOPE WITHOUT INPUT STABILIZATION --- DISC 1 CD STOP MODE
2. UNLESS OTHERWISE SPECIFIED, RESISTORS ARE 1/8W ±5% CARBON RESISTOR. ALL RESISTANCE VALUES ARE IN Ω(K)(M). ALL CAPACITORS ARE CERAMIC CAPACITOR OR MYLAR CAPACITOR. ALL CAPACITANCE VALUES ARE IN μ(F)-P(F). ALL INDUCTANCE VALUES ARE IN m(H)(mH). ALL E-CAPACITORS ARE SHOWN IN THE FORM OF CAPACITANCE (μF)/RATIO

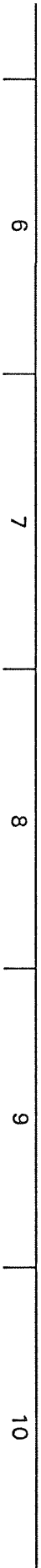


### Audio Disc Mechanisms Control Section

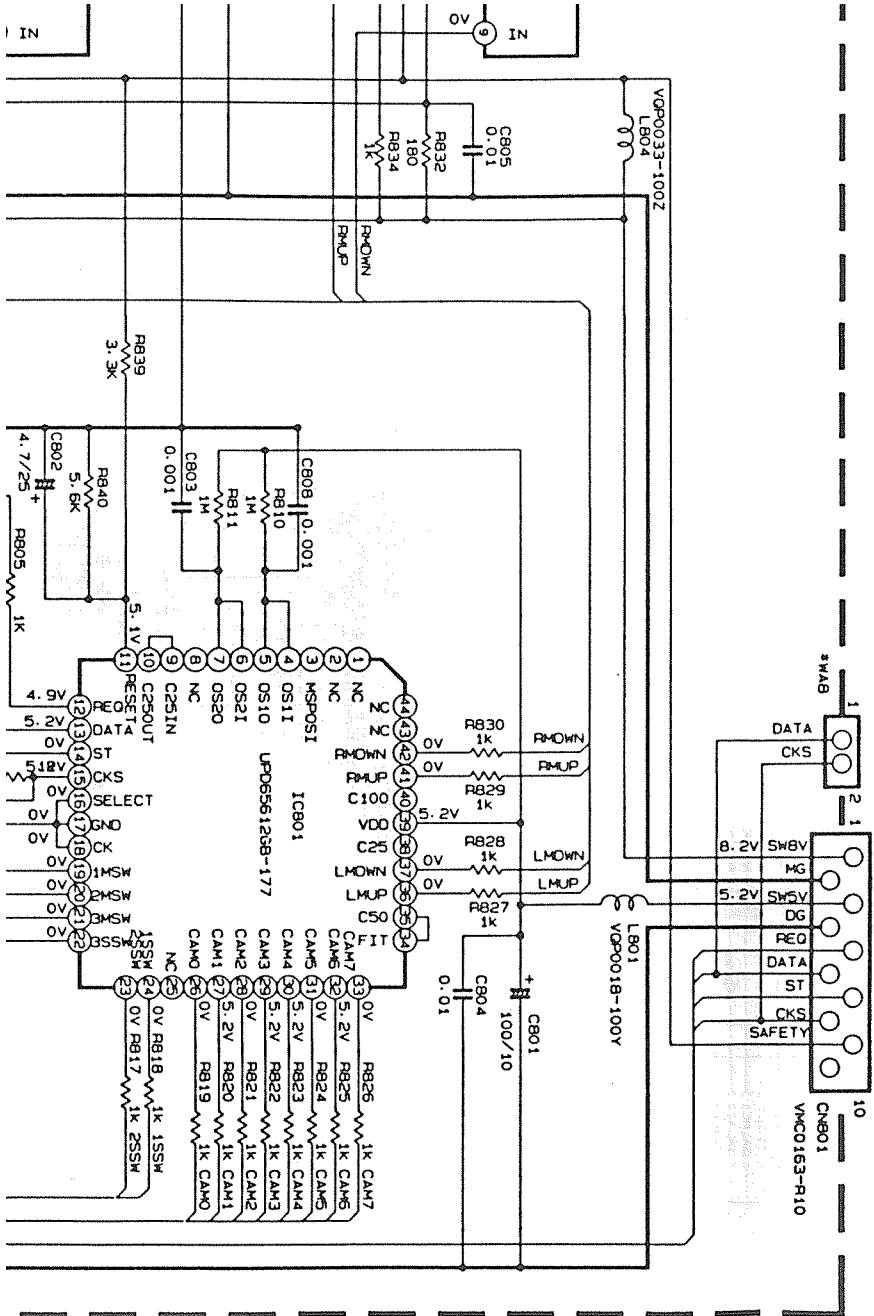




- RESISTOR:
- ① UNFLAMMABLE CARBON RESISTOR
  - ② METAL FILM RESISTOR
  - ③ OXIDE METAL FILM RESISTOR
  - ④ 120% LOW LEAK CURRENT ELECTROLYTIC CAPACITOR
  - ⑤ NON-POLARISED ELECTROLYTIC CAPACITOR
  - ⑥ POLYPROPYLENE CAPACITOR
  - ⑦ POLYSTYROL CAPACITOR
- (V)/RATED VOLTAGE (V)







FROM CN811 OF  
 ENH-271-1  
 (SHEET2-7)

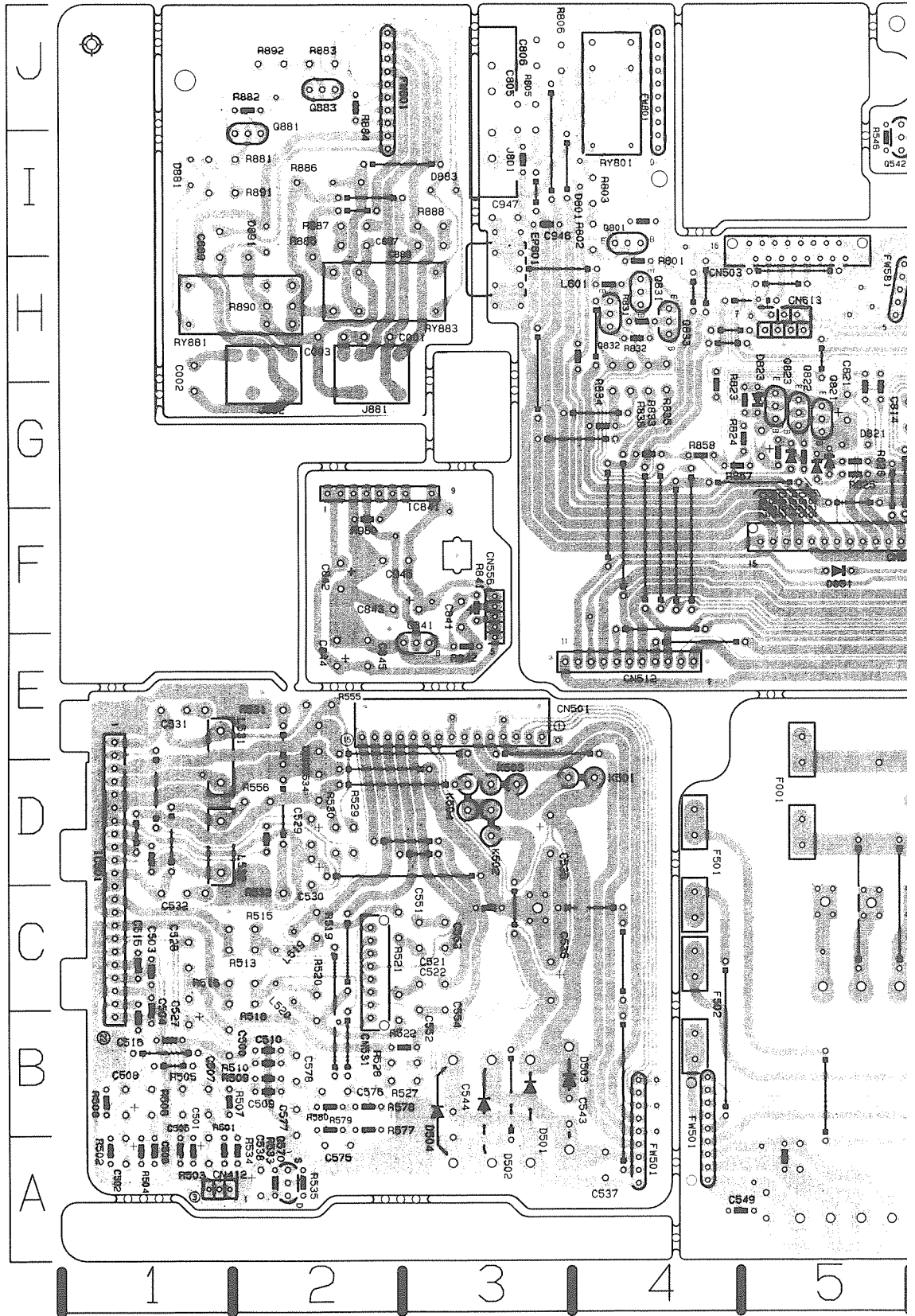
# Printed Circuit Boards

## System Control / POWER AMP. P.C. Board (ENH-271)

Location List (ENH-271)

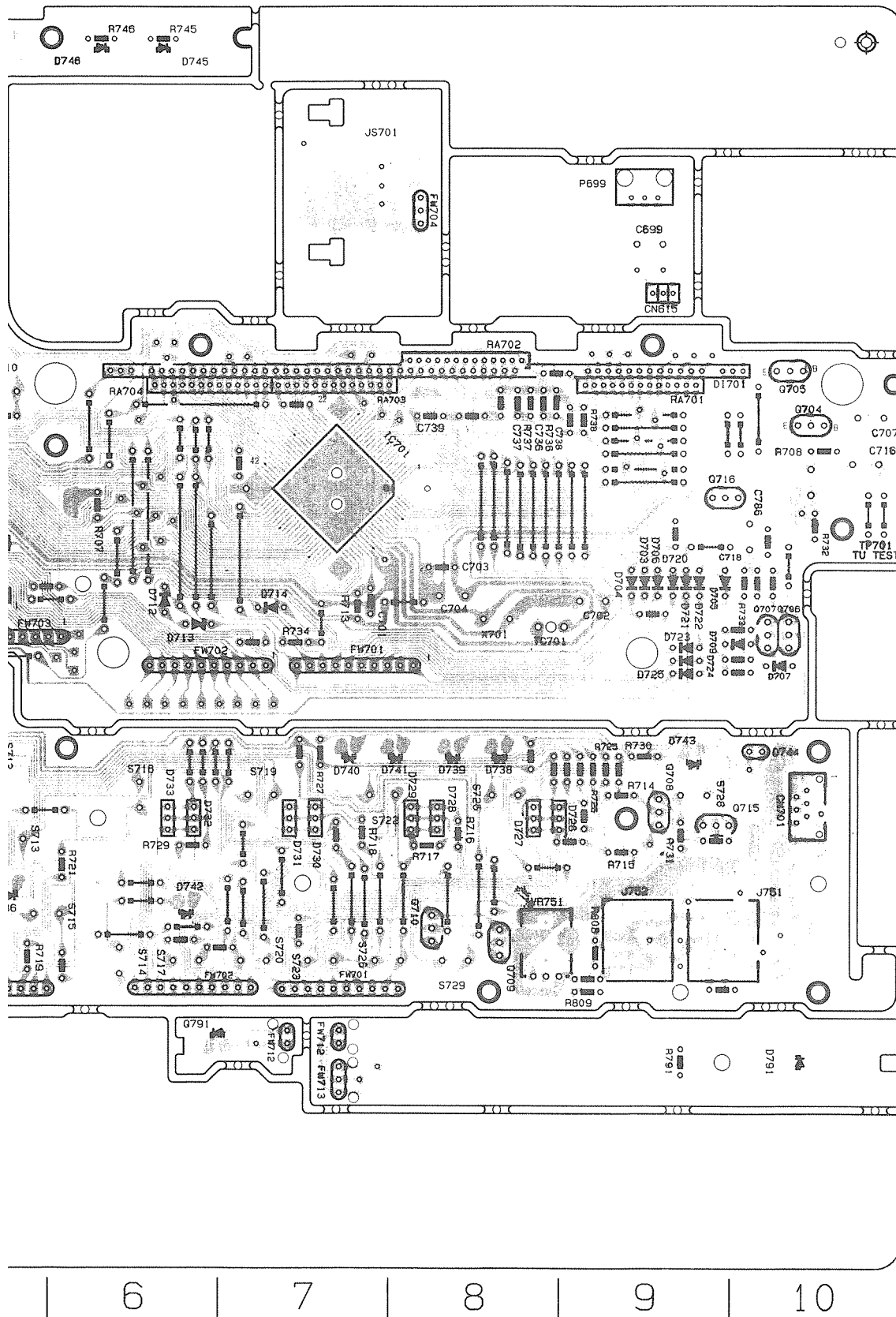
Symbol	X	Y	Symbol	X	Y	Symbol	X	Y
C001	2H	C543	3B	C901	9C			
C002	1G	C544	3A	C902	10C			
C003	2H	C547	7A	C903	9D			
C496	5A	C548	7B	C904	10D			
C497	5A	C549	5A	C907	3E			
C498	5A	C551	3C	C908	10E			
C499	5D	C552	3B	C909	9E			
C500	1B	C553	3C	C910	10F			
C501	1A	C554	3C	C911	9E			
C502	1A	C575	2A	C912	10D			
C503	1C	C576	2B	C913	9E			
C504	1B	C577	2B	C914	10E			
C505	1A	C578	2B	C915	10D			
C506	1A	C589	6A	C916	10D			
C507	1B	C590	6A	C917	9D			
C508	1B	C805	3I	C918	10D			
C509	2B	C806	3J	C919	9D			
C510	2B	C811	7G	C920	10D			
C515	1C	C812	6G	C921	9C			
C516	1C	C813	6G	C922	9D			
C521	3C	C814	5G	C923	10F			
C522	3C	C821	5G	C927	9D			
C527	1B	C822	5G	C941	9I			
C528	1C	C841	3F	C942	10I			
C529	2D	C842	2F	C943	10I			
C530	2D	C843	3F	C945	3F			
C531	1E	C844	2E	C946	3I			
C532	1C	C845	2E	C947	3I			
C533	2E	C847	9J	C971	9D			
C534	2D	C848	9J	C9311	9G			
C535	3D	C851	8G	C9312	9C			
C536	3C	C852	8G	C9313	10C			
C537	4A	C853	8G	C9314	10B			
C538	2A	C887	2I	C9412	1A			
C541	6J	C888	3I	C9501	9E			
C542	7J	C889	1I	C9503	5I			

Symbol	X	Y	Symbol	X	Y	Symbol	X	Y
C9504	6I	0990	7C	0542	5J			
C9505	8C	0891	2I	0543	6J			
C9511	6F	0961	10H	0544	6J			
C9512	3E	0962	9H	0545	5J			
C9521	6I	0963	10I	0570	2A			
C9521	2B	0971	9E	0901	4I			
C9555	7D	F001	5D	0821	5G			
C9556	3I	F002	7I	0822	5G			
C9613	5H	F501	4D	0823	5G			
C9614	8H	F502	4C	0831	4H			
C9811	9J	F9501	4B	0832	4H			
C9901	8B	F9501	4B	0833	4H			
D501	3A	F9581A	9H	0841	3E			
D502	3A	F9581B	5H	0847	7E			
D503	3A	F9583A	9F	0881	2I			
D504	3A	F9583B	6F	0883	2J			
D541	6I	F9801A	4J	0901	9E			
D542	6I	F9801B	2J	0902	10E			
D543	6J	I0501	1E	0931	9F			
D801	4I	I0841	2G	0932	10F			
D811	6G	I0851	8F	0933	10G			
D812	6G	I0901	9C	0941	9I			
D813	6G	I0902	10C	0942	10I			
D814	6G	J801	3J	0951	10J			
D815	6G	J881	2G	0952	10I			
D816	6G	J882	2G	0961	10H			
D821	5G	K501	4D	0962	10H			
D822	5G	K502	3D	0963	9H			
D823	5G	K503	3D	0964	9H			
D825	5G	K504	3D	0971	9D			
D826	5G	L519	2C	R1006	7F			
D851	5F	L520	2C	R501	1A			
D855	8G	L531	1E	R502	1A			
D859	8G	L532	1D	R503	1A			
D881	1I	L601	4H	R504	1A			
D883	3I	0541	6J	R505	1B			









Symbol	X	Y	Symbol	X	Y
R641	2	H	R708	10	G
R642	2	H	R709	5	H
R643	1	H	R710	4	H
R644	1	H	R711	7	F
R645	1	I	R714	9	D
R646	1	I	R715	9	D
R647	2	H	R716	8	D
R651	1	H	R717	8	D
R652	1	H	R718	7	D
R653	1	H	R719	5	C
R654	1	H	R720	4	D
R655	1	G	R721	6	D
R661	3	G	R722	5	D
R662	3	G	R723	5	D
R663	3	G	R724	5	C
R664	3	G	R725	9	D
R666	1	F	R726	9	D
R671	1	F	R727	7	E
R672	1	G	R729	6	D
R681	2	D	R730	9	E
R691	1	F	R731	9	D
R692	2	F	R732	10	F
R693	1	F	R733	10	F
R694	1	F	R734	7	E
R695	2	F	R736	8	D
R696	1	G	R737	8	G
R697	2	F	R738	9	G
R698	2	F	R745	6	J
R699	2	F	R746	6	J
R701	4	J	R751	4	B
R702	5	H	R752	4	B
R703	4	J	R753	4	B
R704	5	H	R754	4	B
R705	4	I	R755	3	B
R706	5	H	R756	4	A
R707	6	F	R759	3	A

Symbol	X	Y	Symbol	X	Y
R761	4	B	S711	5	H
R762	4	B	S712	5	E
R767	3	B	S713	5	D
R768	3	B	S714	6	C
R769	3	B	S715	5	C
R770	3	B	S716	6	D
R771	3	A	S717	6	C
R775	3	B	S718	5	C
R776	4	A	S719	7	D
R777	4	A	S720	7	C
R778	4	B	S721	5	C
R781	9	B	S722	7	D
R801	3	D	S723	7	D
R802	3	D	S724	5	C
R803	2	D	S725	8	D
R804	2	D	S726	7	C
R805	2	D	S727	4	C
R806	2	D	S728	9	D
R807	2	D	S729	8	C
R808	9	C	S730	4	D
R809	9	C	TC701	8	F
R810	4	C	TP601	3	I
RA701	9	G	X551	3	G
RA702	8	H	X701	8	F
RA703	7	G			
RA704	7	G			
S701	5	J			
S702	4	J			
S703	5	J			
S704	5	I			
S705	5	I			
S706	5	J			
S707	5	I			
S708	5	I			
S709	5	J			
S710	5	G			

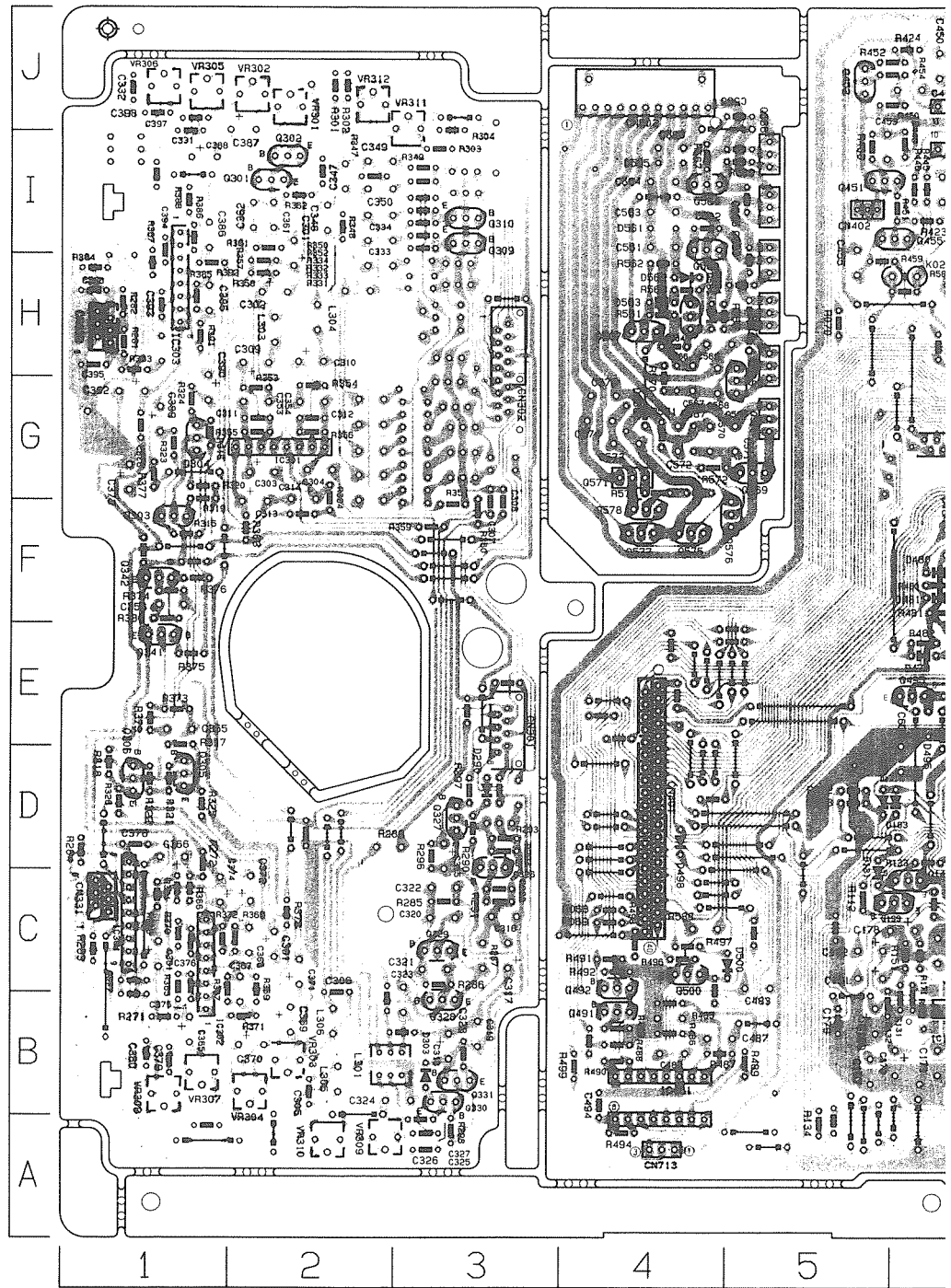


# ■ Tuner & Input P.C. Board (ENC-127)

Location List (ENC-127)

Symbol	X	Y	Symbol	X	Y	Symbol	X	Y	Symbol	X	Y
C0001	8	J	C107	8	C	C164	7	D	C315	3	D
C0021	9	H	C111	10	C	C165	6	B	C316	3	C
C0023	8	H	C112	10	C	C167	5	B	C317	3	C
C0027	8	I	C113	10	C	C168	8	C	C318	3	B
C0029	8	I	C121	7	A	C169	9	C	C319	3	B
C0030	8	I	C122	7	B	C170	6	B	C320	3	C
C0031	9	H	C123	7	A	C171	6	B	C321	3	C
C0032	9	I	C124	7	A	C172	6	B	C322	3	C
C0033	9	I	C126	7	A	C173	6	B	C323	3	C
C0034	9	I	C127	7	A	C174	6	C	C324	2	B
C0037	9	I	C128	8	A	C175	6	C	C325	3	A
C0038	9	I	C129	8	A	C176	6	C	C326	3	A
C0039	9	I	C130	7	A	C177	6	C	C327	3	A
C0040	9	I	C131	6	B	C178	6	C	C328	3	B
C0058	9	J	C132	5	B	C179	5	B	C329	2	G
C0059	9	J	C141	9	D	C180	5	B	C330	3	H
C0071	8	I	C142	9	D	C181	7	C	C331	1	I
C0072	8	J	C143	8	D	C182	7	D	C332	1	J
C0073	8	H	C144	8	D	C185	6	D	C333	2	I
C0074	8	J	C145	8	D	C186	6	D	C334	2	I
C0075	8	I	C146	8	B	C191	5	C	C337	2	F
C0076	8	J	C147	7	D	C192	5	C	C338	2	F
C0077	8	I	C148	7	D	C301	2	H	C341	2	H
C0078	8	I	C149	7	D	C302	2	H	C342	2	H
C0079	8	I	C150	8	C	C303	2	G	C345	2	G
C0080	8	I	C153	8	B	C304	2	G	C346	2	G
C0081	8	J	C154	8	C	C305	2	G	C347	2	I
C0082	8	J	C155	8	C	C306	2	B	C348	2	I
C0086	8	J	C156	8	B	C307	3	F	C349	2	I
C0088	7	J	C157	9	C	C308	3	F	C350	2	I
C0089	7	I	C158	10	D	C309	2	H	C353	2	G
C101	8	A	C159	8	C	C310	2	H	C354	2	G
C102	8	B	C160	8	C	C311	2	G	C355	1	F
C103	9	A	C161	8	C	C312	2	G	C356	1	F
C104	9	B	C162	7	C	C313	2	F	C361	2	I
C106	9	C	C163	7	C	C314	2	F	C362	2	I

Symbol	X	Y	Symbol	X	Y	Symbol	X	Y	Symbol	X	Y
C365	1	B	C415	7	F	C471	7	F	C569	9	J
C366	1	D	C416	8	H	C472	7	F	C590	9	J
C367	2	C	C417	7	H	C473	6	F	C600	6	D
C368	2	C	C418	8	H	C474	6	F	CF101	8	B
C369	2	B	C419	7	I	C475	6	F	CF102	8	C
C370	2	B	C420	8	I	C476	6	F	GH001	8	I
C371	2	C	C421	7	G	C477	6	F	GH002	8	J
C372	2	C	C422	7	G	C478	6	F	GH003	7	I
C373	1	G	C425	7	E	C480	6	F	GH004	8	I
C374	1	C	C426	7	H	C481	6	F	GH005	8	J
C375	1	B	C429	8	F	C482	4	B	GH006	8	J
C376	1	C	C430	8	F	C483	5	C	GH007	8	I
C377	1	C	C431	7	E	C484	6	F	GH008	8	I
C378	1	D	C441	6	I	C487	4	B	GH009	8	J
C379	1	B	C442	6	J	C494	4	A	GH010	8	J
C380	1	B	C443	6	I	C561	4	I	GH001	3	D
C381	1	C	C444	6	J	C562	4	I	GH002	3	E
C385	1	I	C446	6	I	C563	4	I	GH031	1	C
C386	1	I	C446	6	J	C564	4	I	GH032	1	H
C387	2	J	C447	6	I	C565	4	J	GH401	4	C
C388	1	I	C448	6	J	C566	4	I	GH402	5	I
C389	1	G	C449	6	I	C567	4	G	GH502	4	J
C390	1	H	C450	6	J	C568	4	G	GH513	9	G
C391	2	C	C451	7	I	C569	5	H	GH713	7	A
C392	1	G	C452	7	J	C570	4	G	GH713	4	A
C393	1	H	C453	5	I	C571	5	G	D121	5	D
C394	1	I	C454	6	J	C572	4	G	D126	6	B
C395	1	H	C455	5	H	C573	4	G	D127	7	A
C396	1	H	C456	7	I	C574	4	G	D129	6	B
C397	1	J	C457	7	J	C575	4	G	D130	6	B
C398	1	J	C461	9	E	C581	6	H	D142	6	C
C401	10	F	C462	9	F	C582	6	H	D182	5	D
C411	7	H	C463	9	E	C583	6	H	D183	6	D
C412	8	H	C464	9	F	C584	6	I	D190	7	C
C413	7	I	C465	9	E	C585	6	I	D200	3	D
C414	7	I	C466	9	F	C586	7	H	D301	3	D



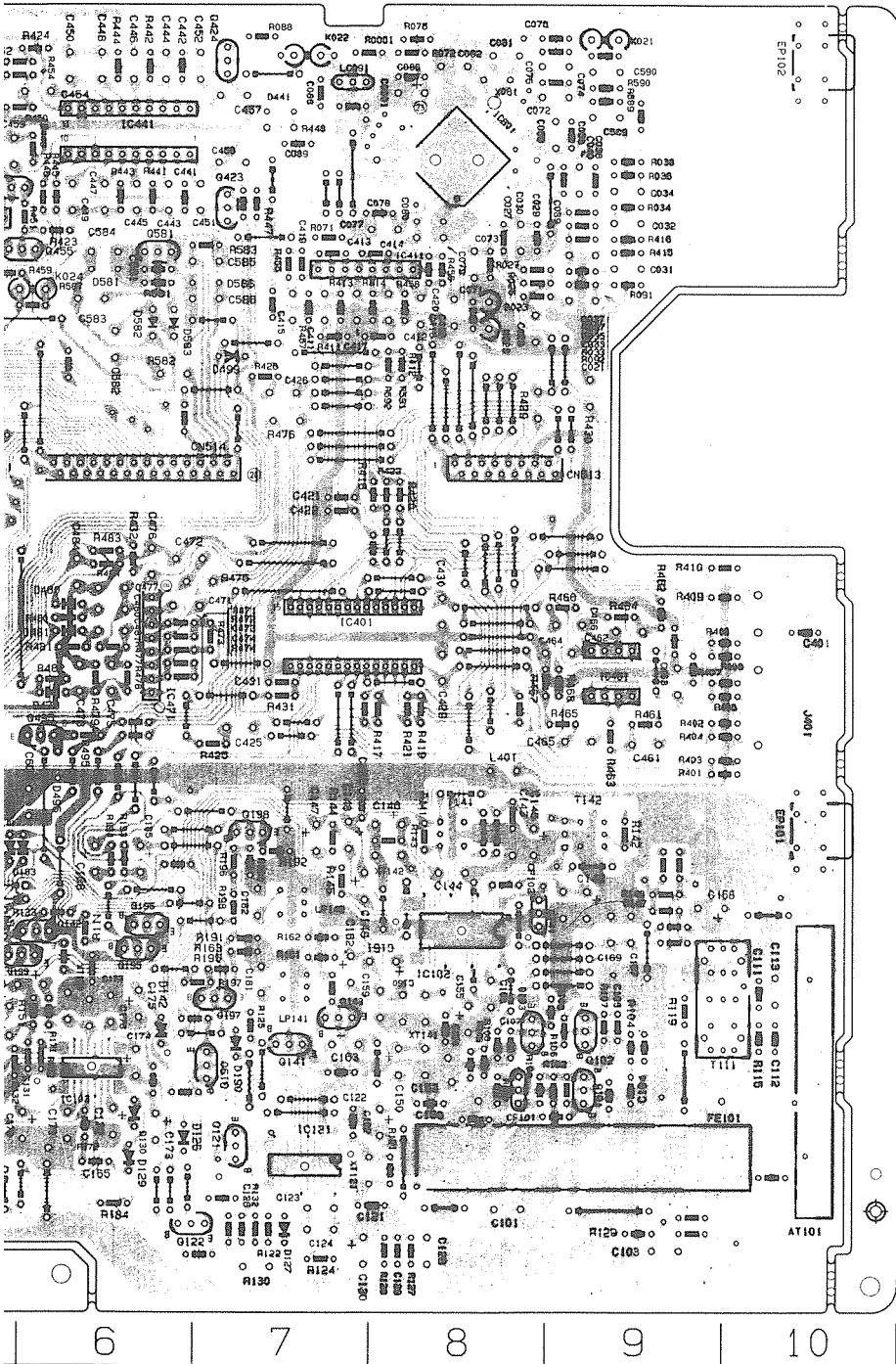
Location List(ENG-127)

Symbol	X	Y	Symbol	X	Y	Symbol	X	Y	Symbol	X	Y
D302	3	G	IC601	8	I	L301	2	B	Q314	3	H
D303	3	B	J401	10	E	L303	2	H	Q315	3	G
D441	7	J	J00571	7	G	L304	2	H	Q316	3	G
D479	6	E	J00571	6	G	L305	2	B	Q317	3	I
D480	6	F	J00571	9	G	L306	2	B	Q318	3	I
D481	6	F	J00571	7	H	L401	8	E	Q323	1	I
D495	6	E	J00571	7	I	LC091	7	J	Q324	1	I
D498	4	D	J00571	8	G	LP141	7	C	Q325	3	D
D499	7	H	J00571	5	I	LP142	7	D	Q326	3	D
D500	5	C	J00571	5	I	O101	9	B	Q327	3	D
D561	4	I	J00571	7	J	O102	9	C	Q328	3	B
D562	4	H	J00571	4	B	O103	8	C	Q329	3	C
D563	4	H	J00571	6	I	O121	7	B	Q330	3	B
D564	4	H	J00571	8	E	O122	6	A	Q331	3	B
D565	4	I	J00571	7	E	O141	7	C	Q341	1	E
D566	4	H	J00571	4	A	O142	6	C	Q342	1	F
D567	4	G	J00571	7	F	O143	7	C	Q343	7	I
D568	4	G	J00571	9	F	O190	7	B	Q424	7	J
D581	6	H	J00571	9	F	O195	6	C	Q451	6	I
D582	6	H	J00571	8	F	O196	6	C	Q452	5	G
D583	6	H	J00571	6	E	O197	7	C	Q455	6	I
D586	6	H	J00571	4	A	O198	7	D	Q491	4	B
FE101	9	B	J00571	9	E	O199	5	D	Q492	4	C
IC102	9	C	J00571	9	E	O301	2	I	Q495	5	E
IC103	6	B	J00571	4	B	O302	2	I	O500	4	C
IC121	7	B	J00571	4	A	O303	1	F	O561	4	H
IC301	2	G	J00571	4	A	O304	1	G	O562	4	I
IC302	1	B	J00571	6	J	O305	1	D	O563	5	I
IC303	1	I	J00571	6	F	O306	1	D	O564	4	I
IC304	1	D	J00571	4	E	O307	3	G	O565	5	I
IC401	9	H	J00571	8	H	O308	3	H	O566	5	I
IC411	9	H	J00571	4	C	O309	1	D	O567	5	H
IC411	9	H	K031	9	J	O310	3	I	O568	5	H
IC461	9	H	K032	7	J	O311	3	G	O569	5	G
IC471	6	E	K033	8	H	O312	3	G	O570	5	G
IC481	4	A	K024	6	H	O313	3	H	O571	4	G

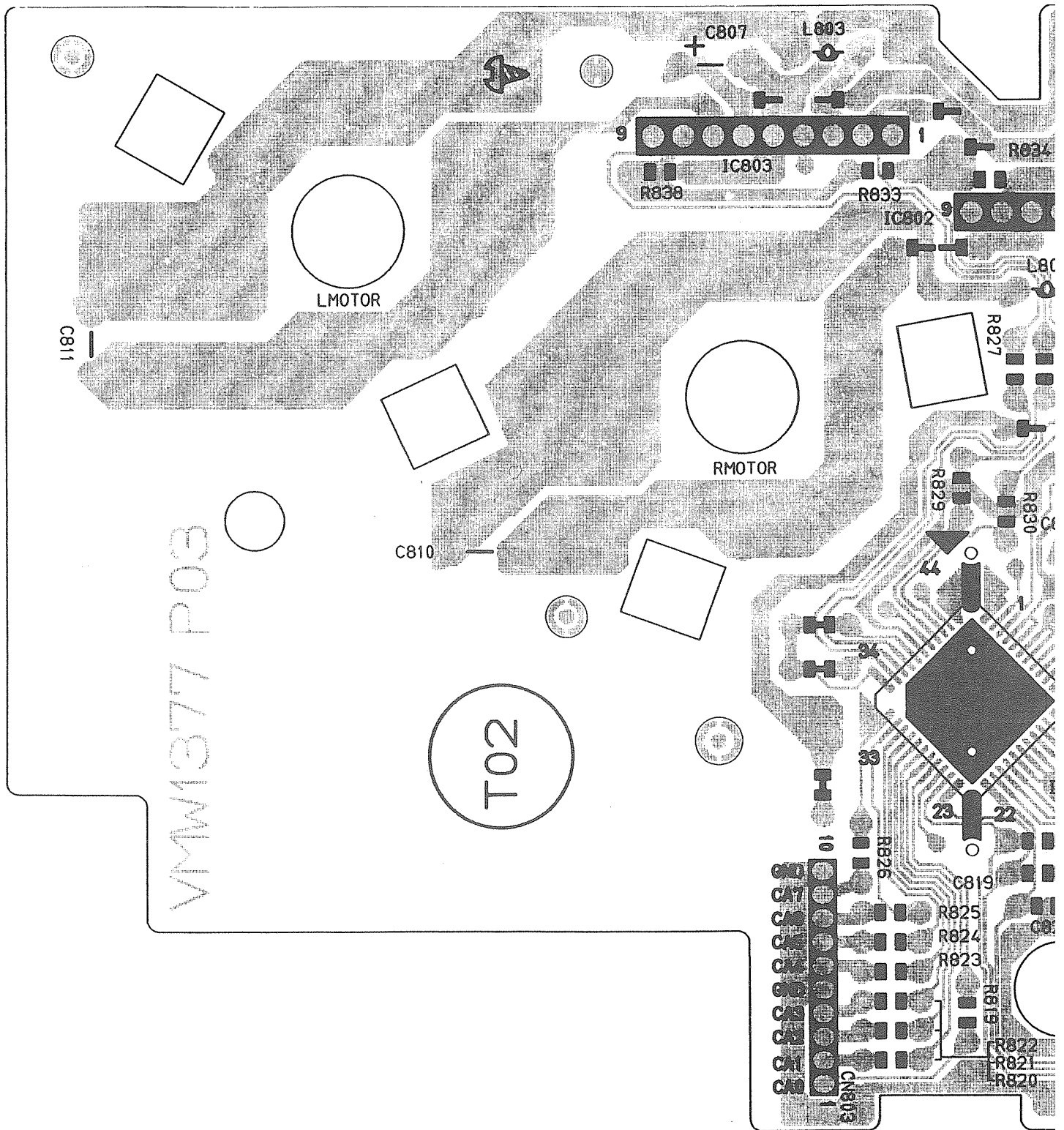
Symbol	X	Y	Symbol	X	Y	Symbol	X	Y	Symbol	X	Y
O572	4	H	R115	10	B	R195	7	C	R325	1	G
O573	5	H	R119	9	C	R196	7	D	R324	1	G
O575	4	F	R121	8	A	R197	7	C	R325	1	D
O576	5	F	R122	7	A	R198	7	D	R326	1	D
O577	4	F	R124	7	A	R271	1	B	R327	3	G
O578	4	F	R125	7	C	R272	1	C	R328	3	H
O581	6	I	R127	8	A	R280	1	C	R329	3	G
R0001	8	J	R128	8	A	R281	1	H	R330	3	H
R0023	9	H	R129	9	A	R282	1	H	R331	3	I
R0025	9	H	R130	7	A	R283	1	C	R332	3	I
R0031	9	H	R132	7	A	R284	1	D	R333	3	I
R0033	9	H	R133	6	D	R285	3	C	R334	3	I
R034	9	I	R134	5	B	R286	3	C	R335	3	F
R035	9	I	R141	8	D	R287	3	C	R336	3	G
R036	9	I	R142	9	D	R288	2	D	R337	3	G
R037	9	I	R143	8	D	R290	3	C	R338	3	G
R038	9	I	R144	7	D	R291	3	C	R339	3	H
R068	4	C	R145	7	G	R292	3	C	R340	3	H
R069	4	C	R146	8	B	R293	3	D	R341	3	H
R070	5	H	R147	9	D	R294	3	D	R342	3	H
R071	7	I	R148	9	D	R295	3	D	R343	3	G
R072	8	J	R151	6	C	R296	3	C	R344	3	G
R075	8	J	R152	6	C	R297	3	D	R345	3	G
R088	7	J	R161	7	C	R298	3	A	R346	3	G
R091	9	H	R162	7	C	R301	2	J	R347	2	I
R092	9	H	R163	7	C	R302	2	J	R348	2	I
R102	9	H	R164	7	B	R303	3	J	R349	2	I
R103	9	H	R171	6	C	R304	3	J	R350	3	I
R104	9	B	R172	6	B	R315	1	F	R351	1	F
R105	9	B	R182	5	D	R316	1	G	R352	1	I
R106	9	C	R183	5	D	R317	1	E	R353	2	I
R107	9	C	R184	5	A	R318	1	D	R354	2	G
R108	8	C	R191	7	C	R319	1	G	R355	2	G
R109	9	C	R192	7	D	R320	1	G	R356	2	G
R111	6	D	R193	6	D	R321	1	G	R357	2	H
R112	5	C	R194	6	D	R322	1	D	R358	2	H

Symbol	X	Y	Symbol	X	Y	Symbol	X	Y	Symbol	X	Y
R359	3	F	R405	10	E	R451	6	I	R490	4	B
R360	3	F	R406	10	F	R452	6	I	R491	4	C
R361	2	I	R407	10	F	R453	5	J	R492	4	C
R362	2	I	R408	9	F	R454	6	I	R493	4	B
R363	2	F	R409	10	F	R455	7	I	R494	4	A
R364	2	F	R410	10	F	R456	8	I	R495	5	E
R365	1	B	R411	7	H	R457	7	H	R496	4	C
R366	1	C	R412	7	H	R458	8	H	R497	4	C
R367	1	B	R413	7	H	R459	9	F	R498	5	C
R368	2	B	R414	8	H	R461	9	F	R499	4	B
R369	2	B	R415	9	F	R462	9	F	R561	4	H
R370	1	C	R416	9	F	R463	9	F	R562	4	H
R371	2	B	R417	8	E	R464	9	F	R563	4	H
R372	1	C	R418	8	E	R465	9	F	R564	4	H
R373	1	E	R419	8	E	R466	9	F	R566	4	H
R374	1	F	R420	9	F	R467	8	E	R567	4	H
R375	1	E	R421	8	E	R468	5	E	R569	4	H
R377	1	G	R422	8	G	R411	6	F	R570	4	H
R378	2	D	R423	6	I	R472	6	E	R571	4	G
R379	1	E	R424	6	J	R473	7	E	R572	4	G
R380	1	F	R425	7	E	R474	6	E	R573	4	G
R381	1	C	R426	7	H	R475	6	F	R574	4	G
R382	1	G	R427	8	G	R476	7	H	R581	5	H
R383	1	H	R428	8	H	R477	6	F	R582	6	H
R384	1	H	R429	9	H	R478	6	F	R583	7	H
R385	1	H	R430	9	H	R479	6	F	R584	7	H
R386	1	I	R441	6	I	R480	5	F	R585	6	H
R387	1	I	R442	6	J	R481	6	F	R589	9	J
R388	1	I	R443	6	J	R482	6	F	R590	9	J
R391	1	H	R444	6	J	R483	6	F	R591	8	H
R392	1	H	R445	6	J	R484	6	F	R592	8	H
R401	10	E	R446	6	J	R485	4	B	R593	8	J
R402	10	E	R447	7	J	R486	4	B	R594	7	J
R403	10	E	R448	7	J	R487	5	B	R595	9	C
R404	9	E	R449	6	I	R488	4	B	R596	8	D
			R450	6	J	R489	5	B	R597	8	D

Symbol	X	Y
X081	8	J
XT121	7	A
XT141	8	C
XT144	8	D
XT161	6	C

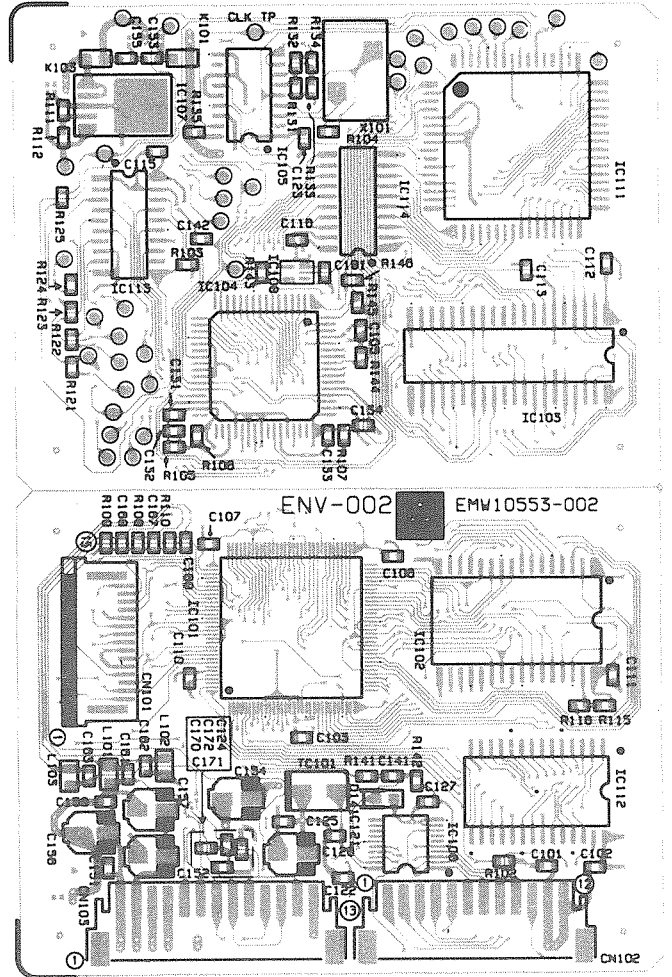
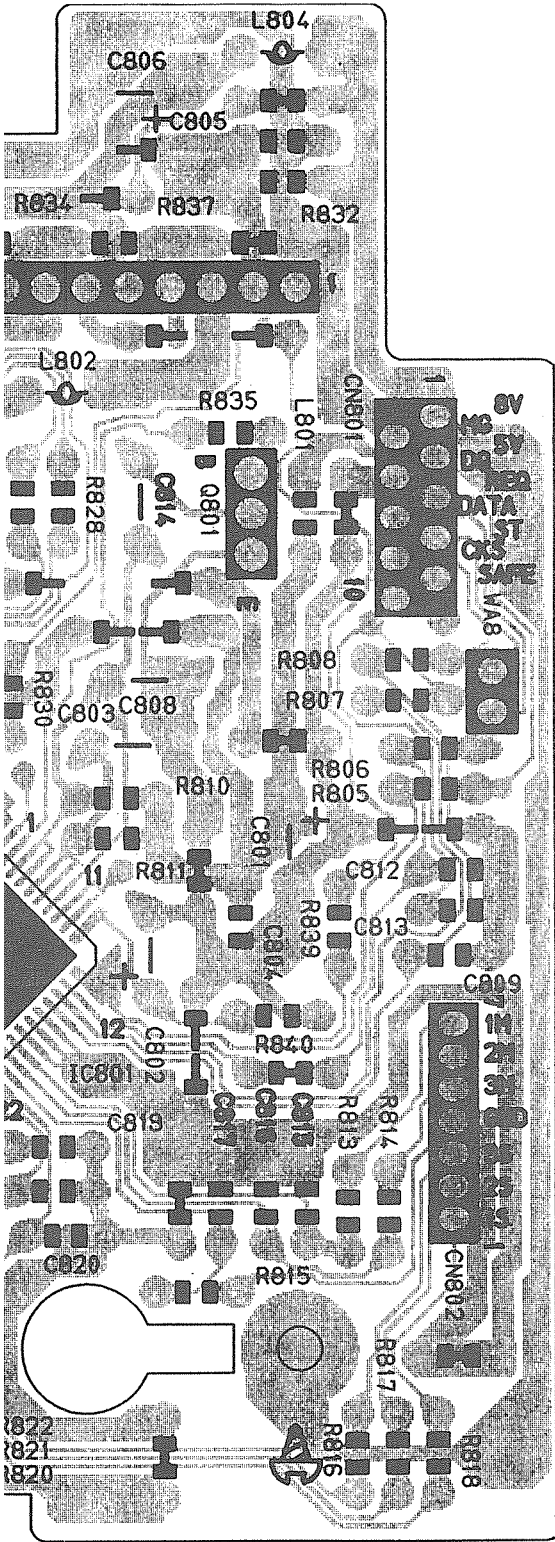


■ CD Changer Control P.C.BOARD





■ VIDEO CD P.C. Board (ENV-002)





# PARTS LIST

\* All printed circuit boards and its assemblies are not available as service parts.

## The Markes for Dasignated Areas

UB . . . Hong Kong      U . . . Universal Type      US . . . Singapore      UT . . . Taiwan

No markes indicates all areas.

## - Contents -

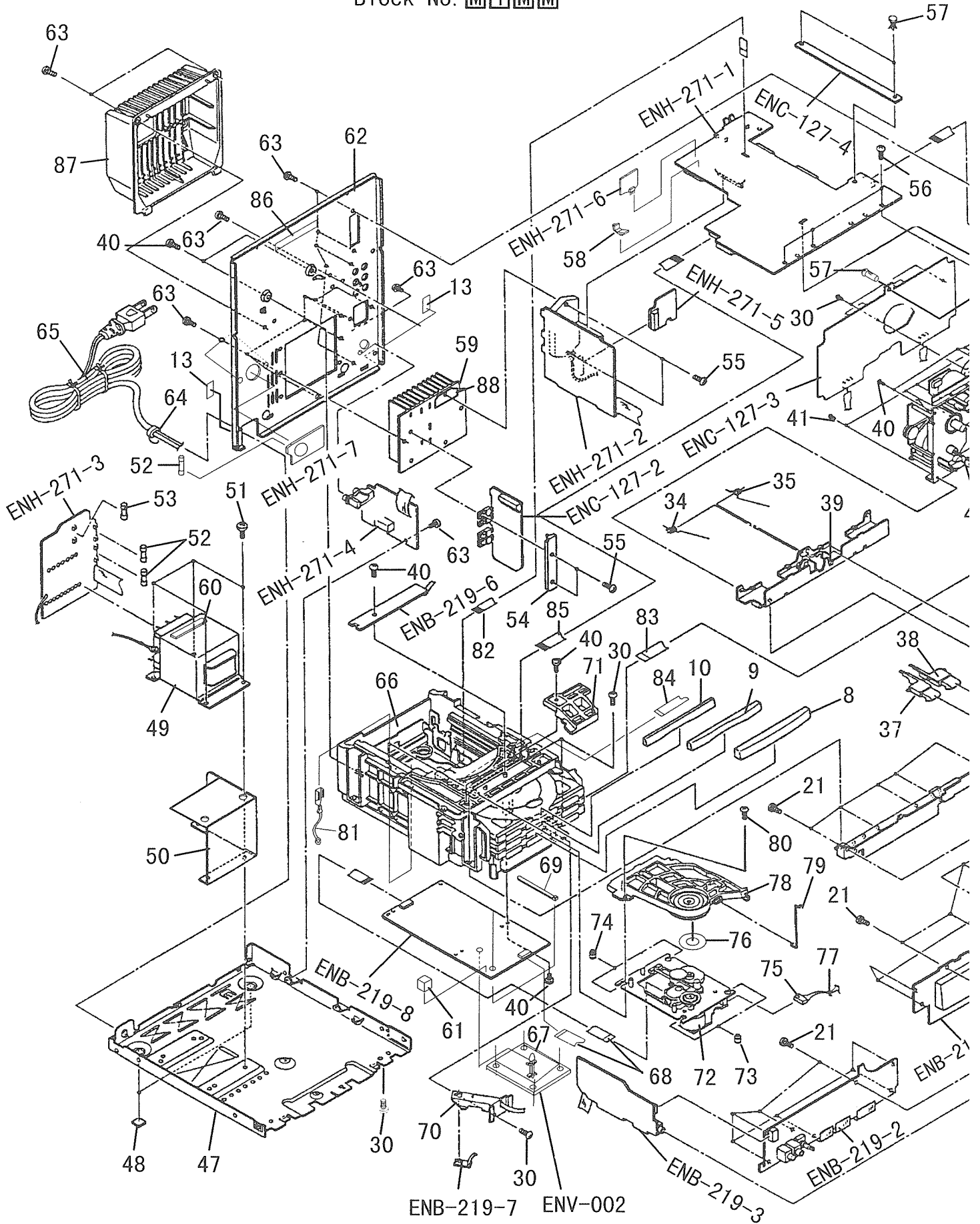
General Exploded View and Parts List . . . . .	3-3
Cassette Mechanism Ass'y and Parts List . . . . .	3-5
■ Grease Point . . . . .	3-5
CD Changer Mechanism Ass'y and Parts List . . . . .	3-7
■ Grease Point . . . . .	3-7
CD Mechanism Ass'y and Parts List . . . . .	3-9
■ Grease Point . . . . .	3-9
Electrical Parts List . . . . .	3-10
(ENH-271) . . . . .	3-10
(ENC-127) . . . . .	3-13
(ENB-219) . . . . .	3-18
(C3 Mecha.) . . . . .	3-20
(ENV-002) . . . . .	3-21
Accessories List . . . . .	3-21
Packing Materials and Part Numbers . . . . .	3-22

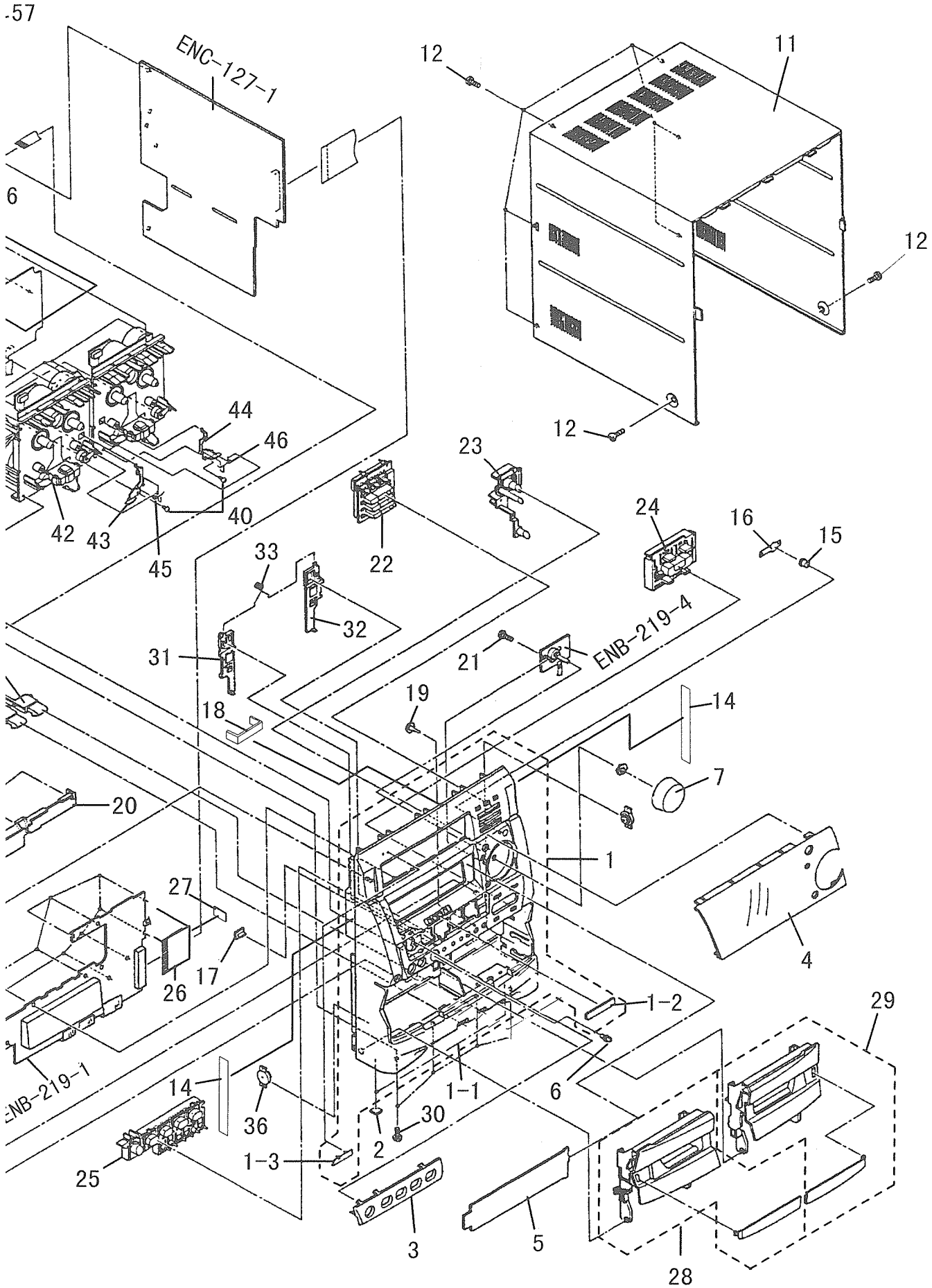
CA-V605T



General Exploded View and Parts List

Block No. **M1MM**





## ■ Parts List

Block No. **M1M1M**

△	Item	Parts Number	Parts Name	Q'ty	Description	Area
	1	EFP-CAV605TU(S)	FRONT PANEL ASSY	1		
	1-1	E103052-017SM	FRONT PANEL	1		
	1-2	E309487-001SM	INDICATOR PLATE	1		
	1-3	E406971-221	JVC MARK	1		
	2	E75896-001	SPACER	2		
	3	E208634-001SM	ORNAMENT PLATE	1		
	4	E208574-009SM	WINDOW SCREEN	1		
	5	E309489-001	FL SCREEN	1		
	6	E408765-003SM	VOLUME KNOB	1	MAIN VOL.	
	7	E309501-002SM	VOLUME KNOB	1	MIC VOL.	
	8	E208593-002SM	CD FITTING	1	DISC 1	
	9	E208595-002SM	CD FITTING	1	DISC 2	
	10	E208597-002SM	CD FITTING	1	DISC 3	
	11	E103056-003SM	METAL COVER	1		
	12	SDSG3006M	TAPPING SCREW	8		
	13	E306805-164	SPACER	2		
	14	E306805-174	SPACER	2		
	15	E408733-001SM	REMOTE CONTROL WINDOW	1		
	16	E408937-001SM	REMOCON SCREEN	1		
	17	E408759-001SM	POWER INDICATOR	1	POWER	
	18	E408762-001SM	INDICATOR LENS	1	V-CD	
	19	E408760-001SM	INDICATOR LENS	1	REC	
	20	E309495-002SM	STAY BRACKET	1		
	21	SDSF2608Z	SCREW	24		
	22	E208578-002	PUSH BUTTON	1	3CD	
	23	E208627-001SM	PUSH BUTTON	1	BASS	
	24	E208582-004	PUSH BUTTON	1	STOP	
	25	E208624-001SM	PUSH BUTTON ASSY	1	POWER/SOURCE	
	26	VWF1240-12TTBW	FLAT WIRE	1		
	27	FMYS1R2-001	SPACER	1		
	28	E208758-002SM	CASSETTE HOLDER ASSY	1		
	29	E208759-002SM	CASSETTE HOLDER ASSY	1		
	30	SBSG3008Z	TAPPING SCREW	10		
	31	E309479-001SS	EJECT LEVER	1	LEFT	
	32	E309480-001SS	EJECT LEVER	1	RIGHT	
	33	E408742-001SS	SPRING	1		
	34	E408933-001	HOLDER SPRING	1	LEFT	
	35	E408934-001	HOLDER SPRING	1	RIGHT	
	36	VYH7779-00D	DAMPER	2		
	37	E309496-002SM	EJECT BUTTON	1	LEFT	
	38	E309497-002SM	EJECT BUTTON	1	RIGHT	
	39	E208588-001	HOLDER BKT	1		
	40	SBSF3008Z	TAPPING SCREW	11		
	41	SBST3006Z	TAPPING SCREW	4		
	42	-----	CASSETTE MECHANISM ASSY	1	See Page 3-5	
	43	E309477-222	EJECT SAFETY	1	LEFT	
	44	E309478-222	EJECT SAFETY	1	RIGHT	
	45	E407801-002	SPRING	1	LEFT	
	46	E407802-002	SPRING	1	RIGHT	
	47	E102616-230SM	CHASSIS BASE	1		
	48	E75896-006	FELT SPACER	2		



## ■ Parts List

Block No. **M1M1**

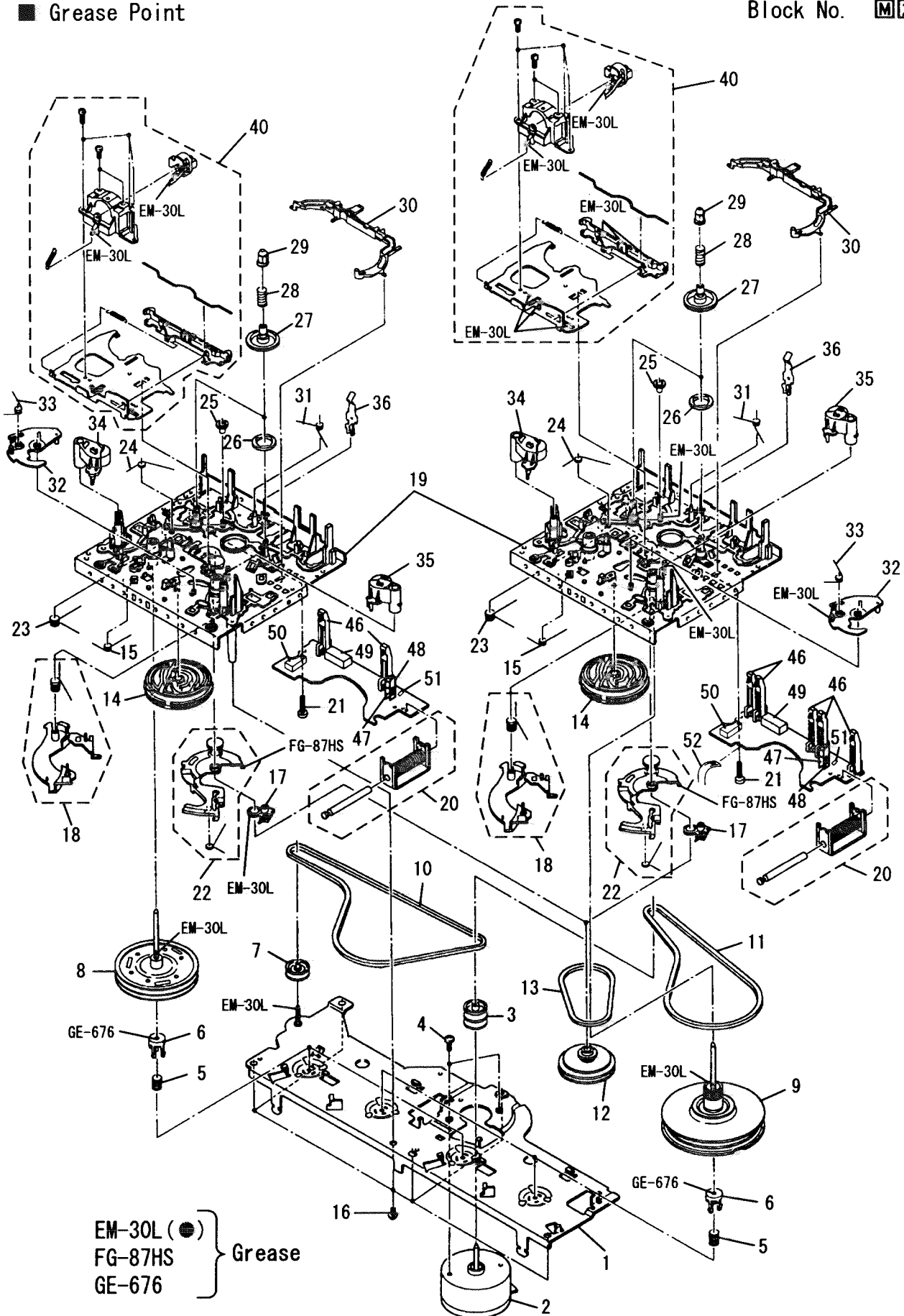
△	Item	Parts Number	Parts Name	Q'ty	Description	Area
△	49	ETP1100-66FAJ	POWER TRANSFORMER	1		
	50	E408630-001SM	SHIELD PLATE	1		
	51	E65389-002	SPECIAL SCREW	4		
△	52	QMF51E2-2R0	FUSE	3	F002, 501, 502 (T2. 0A/250V)	
△	53	QMF51E2-4R0	FUSE	1	F001 (T4. 0A/250V)	
	54	E407434-001SM	LEAF SPRING	1		
	55	SBSG3014CC	SCREW	4		
	56	SBST2604Z	SCREW	3		
	57	FMYH4004-001	RIVET	3		
	58	E309719-001	FASTENER	1		
	59	E309528-003SM	HEAT SINK	1		
	60	E306805-145	SPACER	1		
	61	E306805-175	SPACER	1		
	62	E103054-037SM	REAR PANEL	1		
	63	E73273-003	SPECIAL SCREW	17		
	64	QHS3876-162	CORD STOPPER	1		
△	65	QMP39E0-200	POWER CORD	1		US
△	65	QMP5530-0085BS	POWER CORD	1		UB
△	65	QMP7520-200	POWER CORD	1		U UT
	66	-----	CHANGER MECHANISM ASSY	1	See Page 3-7	
	67	E307552-001	FASTENER	4		
	68	VWF1015-09TTAV	FLAT WIRE	2		
	69	QHX2075-001	TIE BAND	5		
	71	E309662-001	DISK STOPPER	1		
	72	-----	CD MECHANISM ASSY	1	See Page 3-9	
	73	FMYH4003-002	INSULATOR	2		
	74	FMYH4003-001	INSULATOR	2		
	75	VDM1001-M001A	SOCKET WIRE ASSY	1		
	76	E409347-001	SPACER	1		
	77	VYSA1R2-033	SPACER	1		
	78	VKS3703-00FMM	CLAMPER	1		
	79	VKW5187-001	ROD	1		
	80	SPST2606Z	TAPPING SCREW	1		
	81	EFW102-049	CONNECTOR WIRE ASSY	1		
	82	VWF1207-10TTB	FLAT WIRE	1	CN603	
	83	VWF1210-14TTB	FLAT WIRE	1	CN801	
	84	VWF1211-16TTB	FLAT WIRE	1	CN604	
	85	VWF1215-25TTB	FLAT WIRE	1	CN515	
	86	E406709-001	CAUTION LABEL	1		
	87	E207356-001SM	REAR COVER	1		
	88	FMPK4003-001	MICA SHEET	2		



# Cassette Mechanism Ass'y and Parts List

■ Grease Point

Block No. **M2MM**



EM-30L (●)  
 FG-87HS  
 GE-676 } Grease

## ■ Parts List (Cassette Mechanism Ass'y)

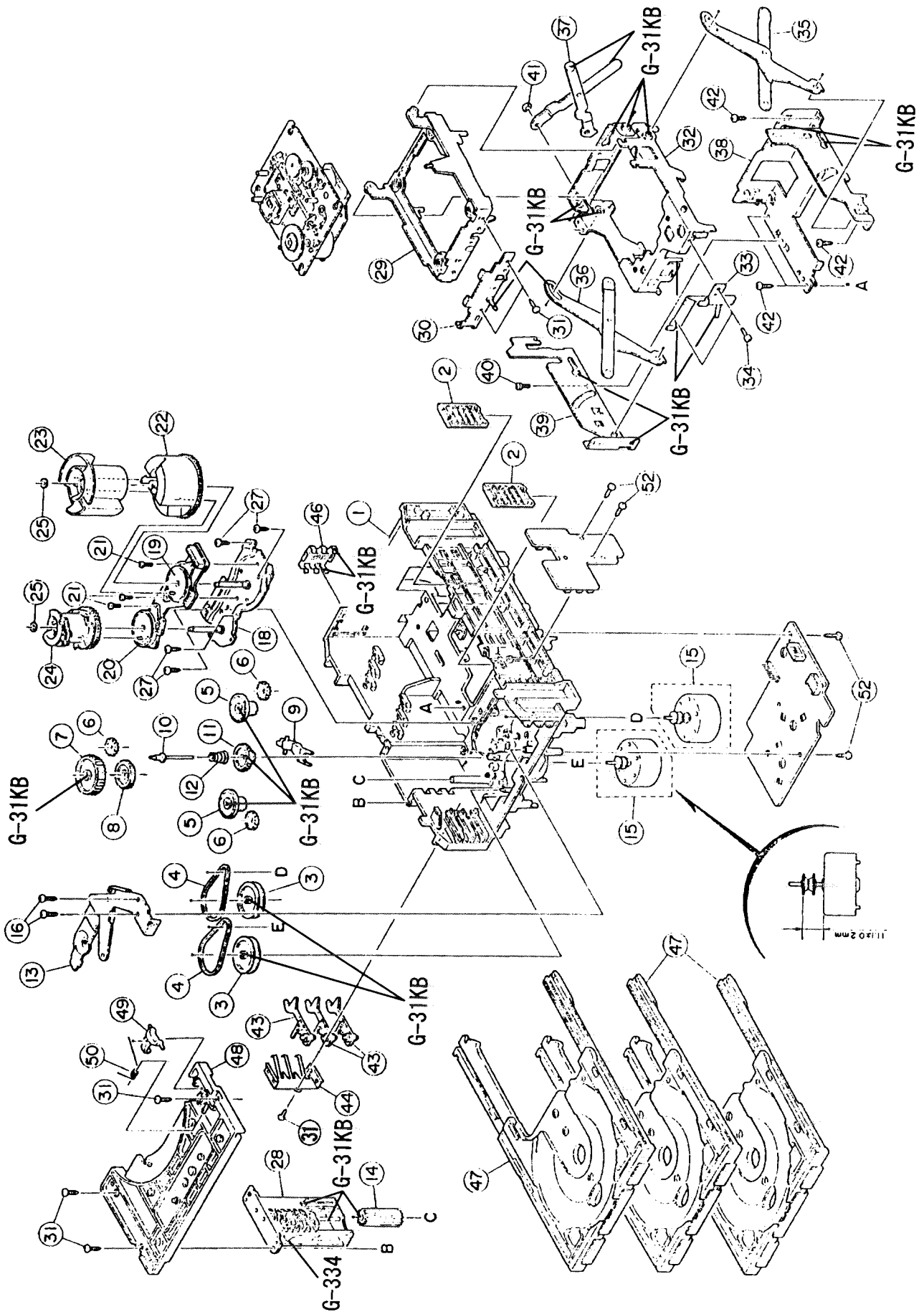
Block No. **M2MM**

△	Item	Parts Number	Parts Name	Q'ty	Description	Area
	1	VKM3835-00A	FLYWHEEL BRACKET	1		
	2	MMI-6H2LWK	DC MOTOR	1		
	3	VKR4740-003	MOTOR PULLEY	1		
	4	SPSP2603Z	WOOD SCREW	2		
	5	VKW5177-002	SPRING	1		
	6	VKS5524-001	THRUST GUIDE	1		
	7	VKR4741-002	IDLER PULLEY	1		
	8	VKF3202-00A	F. WHEEL (L) ASY	2		
	9	VKF3200-00A	F. WHEEL (R) ASY	2		
	10	VKB3000-161	CAPSTAN BELT	1		
	11	VKB3000-162	CAPSTAN BELT	1		
	12	VKS5523-00C	MAIN PULLY ASSY	2		
	13	VKB3000-167	REEL BELT	2		
	14	VKS1150-001	CONTROL CAM	2		
	15	VKW5170-002	SPRING	2		
	16	SBSF2608Z	TAPPING SCREW	6		
	17	VKS3719-001	RING	2		
	18	VKS5525-00B	TRIGGER ARM	2		
	19	VKS1151-00A	CHASSIS BASE ASSY	2		
	20	VGP2401-00A	SOLENOID	2		
	21	SDST2612Z	SCREW	2		
	22	VKS3714-00B	F. F./REW. ARM	2		
	23	VKW5173-001	SPRING	2		
	24	VKW5202-002	SPRING	2		
	25	VKS5519-002	IDLER GEAR	2		
	26	VKZ4690-002	MAGNET	2		
	27	VKS3707-002	REEL GEAR	2		
	28	VKW5162-002	SPRING	4		
	29	VKS3708-002	REEL CAP	4		
	30	VKS2261-002	REEL STOPPER	2		
	31	VKW5178-001	BRAKE SPRING	2		
	32	VKS2255-001	DIRECTION LEVER	2		
	33	VKW5163-001	SPRING	2		
	34	VKP4232-00A	PINCH ROLLER	2		
	35	VKP4231-00B	PINCH ROLLER	4		
	36	VKY4670-001	CASSETTE SPRING	2		
	40	VKM3834-00A	H. MOUNT ASY	1	A Mecha.	
		VKM3832-00F	H. MOUNT ASY	1	B Mecha.	
	46	MXS00220MVLO	CASSETTE SWITCH	4		
	47	DN6851-HI	I. C.(M)	2		
	48	VKS3630-001MM	I. C. PROTECTOR	2		
	49	VMC0314-P08	CONNECT TERMINAL	1	A Mecha.	
		VMC0314-P14	CONNECT TERMINAL	1	B Mecha.	
	50	QSEC001-E03	LEVER SWITCH	2		
	51	1SR139-400T-32	SI DIODE	2		
	52	VWSC04-11A13K	FLAT WIRE ASSY	1		

# Changer Mechanism Ass'y and Parts List

■ Grease Point

Block No. **M3M3**



## ■ Parts List (Changer Mechanism Ass'y)

Block No. **M3MM**

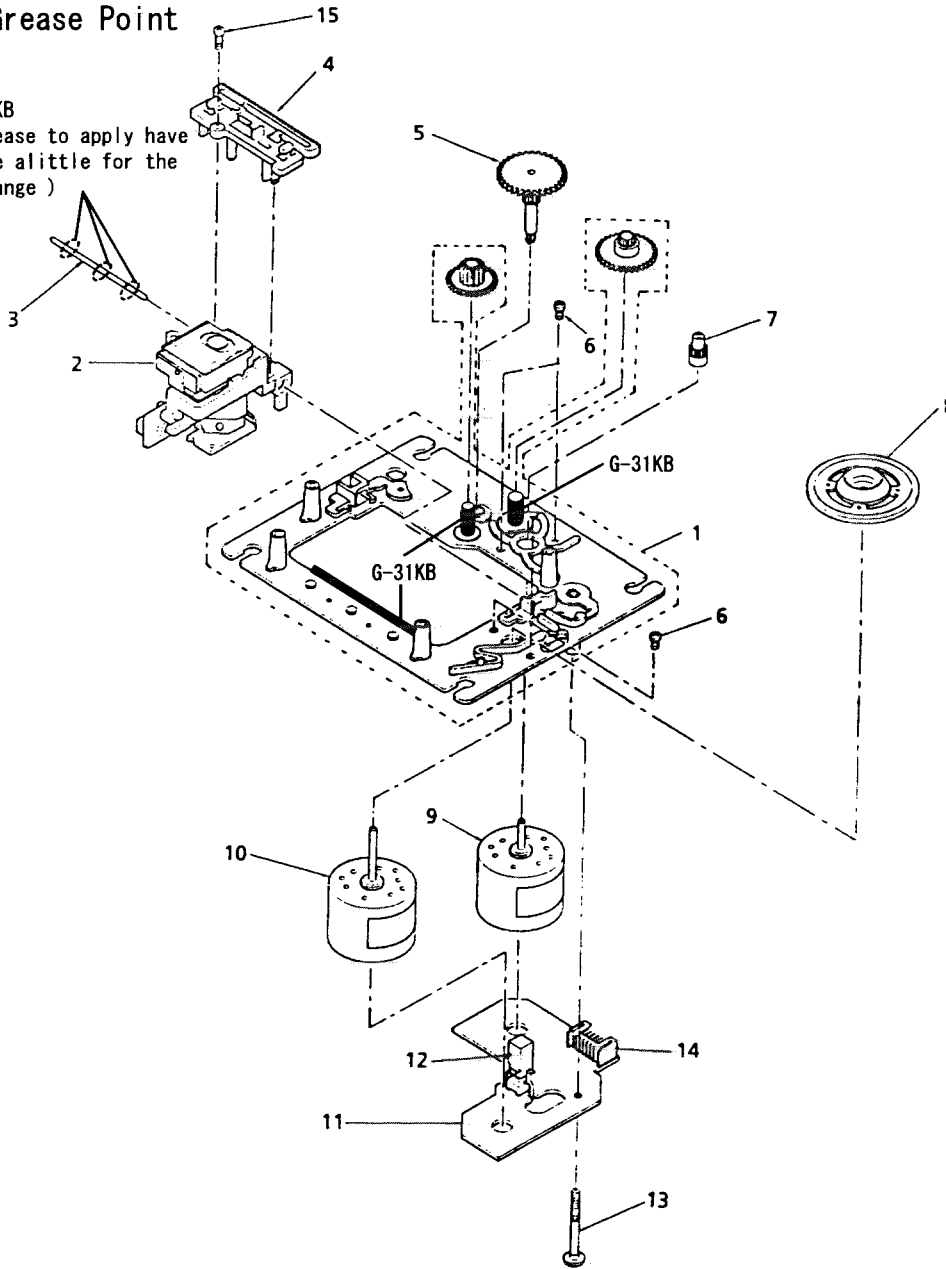
△	Item	Parts Number	Parts Name	Q'ty	Description	Area
	1	VKS1144-002	CHASSIS BASE	1		
	2	VKS3698-001	TRAY GUIDE	2		
	3	VKS5532-001	GEAR	2		
	4	VKB3000-164	DRIVE BELT	2		
	5	VKS5505-001	GEAR	2		
	6	VKS5506-001	GEAR	3		
	7	VKS5507-001	GEAR	1		
	8	VKS5508-001	GEAR	1		
	9	VKS5610-002	SELECT LEVER	1		
	10	VKH5769-001	GEAR STUD	1		
	11	VKS5511-001	GEAR	2		
	12	VKW5155-003	COMPRESS SPRING	2		
	13	VKM3846-001	GEAR BRACKET	2		
	14	VKS5509-001	CYLINDER GEAR	2		
	15	MSN5D257A-SA2	DC MOTOR	2		
	16	DPSP2616Z	SCREW	2		
	18	VKM3825-00A	GEAR BASE	1		
	19	VKZ3172-00A	CAM SWITCH	1		
	20	VKZ3173-00A	CAM SWITCH	1		
	21	SPST2606Z	TAPPING SCREW	1		
	22	VKS2263-001	DRIVING CAM	1		
	23	VKS2264-001	DRIVING CAM	1		
	24	VKS2265-001	SUB GEAR	1		
	25	WDL316050	SLIT WASHER	2		
	27	SBSF2608Z	TAPPING SCREW	4		
	28	VKS3702-00E	DRIVE UNIT	1		
	29	VKS2247-002	MECHA HOLDER	1		
	30	VKL7767-00B	MECHA BRACKET	1		
	31	SBSF2606Z	TAPPING SCREW	2		
	32	VKM3824-00D	MECHA HOLDER	1		
	33	VKL7802-00C	MECHA HOLDER	1		
	34	SDST2604Z	SCREW	2		
	35	VKL7810-00A	LIFTER	1		
	36	VKL7811-00A	LIFTER	1		
	37	VKL7812-00A	LIFTER	1		
	38	VKL2732-002	LIFTER BASE	1		
	39	VKM3823-001	LIFTER BRACKET	1		
	40	SDST2604Z	SCREW	1		
	41	WDL266035-2	SLIT WASHER	1		
	42	SBSF2608Z	TAPPING SCREW	8		
	43	VKS5514-001	LOCK LEVER	3		
	44	VKY3133-002	RETURN SPRING	1		
	46	VKY3134-003	SPRING	1		
	47	VKS2252-00C	TRAY	3		
	48	VKS2250-001	TOP BRACKET	1		
	49	VKS5515-001	TRAY STOPPER	1		
	50	VKW5156-002	TORSION SPRING	1		

# CD Mechanism Ass'y and Pars List

■ Grease Point

Block No. M4MM

G-31KB  
( Grease to apply have to be alittle for the exchange )



## ■ Parts List ( CD Mechanism Ass'y )

△	Item	Parts Number	Parts Name	Q'ty	Description	Area
	1	EPB-002A	MECHANISM BASE ASS'Y	1		
	2	OPTIMA0150S	PICK UP ASS'Y	1		
	3	E406777-001	SHAFT	1		
	4	E307746-001	CD RACK	1		
	5	E307745-221SS	GEAR (3)	1		
	6	SDSP2003N	SCREW	4		
	7	E406750-001	PINION GEAR	1		
	8	EPB309173A	TURN TABLE	1		
	9	E406784-001	FEED MOTOR	1		
	10	E406783-001	SPINDLE MOTOR	1		
	11	EMW10190-001 (S)	CIRCUIT BOARD	1		
	12	ESB1100-005	LEAF SWITCH	1		
	13	E75832-001	SCREW	1		
	14	EMV5109-006B	PLUG ASS'Y	1	6PIN	
	15	SDSF2006Z	SCREW	1		

■ Electrical Parts List (ENH-271)

△	Item	Parts Number	Description	Area
		I. C. S		
	IC501	STK425-090	I. C(HYBRID)	
	IC841	BP5020	I. C	
	IC851	HD6433728SC11F	I. C(DIGI-MOS)	
	IC901	HA12136A	I. C(MONO-ANALOG)	
	IC902	BA8221AN	I. C(MONO-ANALOG)	
		DIODES		
△	D501	S3V20F	SI. DIODE	
△	D502	S3V20F	SI. DIODE	
△	D503	S3V20F	SI. DIODE	
△	D504	S3V20F	SI. DIODE	
	D541	1SS133	SI. DIODE	
	D542	1SS133	SI. DIODE	
	D543	1SS133	SI. DIODE	
	D801	MTZ24JC	ZENER DIODE	
△	D811	ERA15-02L19	SI. DIODE	
△	D812	ERA15-02L19	SI. DIODE	
△	D813	ERA15-02L19	SI. DIODE	
△	D814	ERA15-02L19	SI. DIODE	
△	D815	ERA15-02L19	SI. DIODE	
△	D816	ERA15-02L19	SI. DIODE	
	D821	MTZ5.1JC	ZENER DIODE	
	D822	1SS133	SI. DIODE	
	D823	1SS133	SI. DIODE	
	D825	1SS133	SI. DIODE	
	D826	1SS133	SI. DIODE	
	D851	1SS133	SI. DIODE	
	D855	1SS133	SI. DIODE	
	D859	1SS133	SI. DIODE	
	D881	MTZ24JC	ZENER DIODE	
	D883	MTZ24JC	ZENER DIODE	
	D890	1SR35-100	SI. DIODE	
	D891	MTZ6.8JC	ZENER DIODE	
	D983	1SR35-100	SI. DIODE	
	D971	1SS133	SI. DIODE	
		TRANSISTORS		
	Q541	2SA970 (GR)	SI. TRANSISTOR	
	Q542	2SA970 (GR)	SI. TRANSISTOR	
	Q543	2SC1740S (R, S)	SI. TRANSISTOR	
	Q544	2SA970 (GR)	SI. TRANSISTOR	
	Q545	2SC2240 (GR, BL)	SI. TRANSISTOR	
	Q801	2SC2240 (GR, BL)	SI. TRANSISTOR	
	Q821	DTC114YS	DIGITAL TRANSISTOR	
	Q822	DTC114YS	DIGITAL TRANSISTOR	
	Q823	DTC114YS	DIGITAL TRANSISTOR	
	Q831	2SD2144S (VW)	SI. TRANSISTOR	
	Q832	2SD2144S (VW)	SI. TRANSISTOR	
	Q833	DTA114TS	DIGITAL TRANSISTOR	
	Q841	2SC1740 (R, S)	SI. TRANSISTOR	
	Q847	DTA144ES	DIGITAL TRANSISTOR	
	Q881	2SC1740S (R, S)	SI. TRANSISTOR	
	Q883	2SC1740S (R, S)	SI. TRANSISTOR	
	Q901	2SC1740S (R, S)	SI. TRANSISTOR	
	Q902	2SC1740S (R, S)	SI. TRANSISTOR	
	Q931	2SD2144S (VW)	SI. TRANSISTOR	
	Q932	2SD2144S (VW)	SI. TRANSISTOR	
	Q933	DTA144ES	DIGITAL TRANSISTOR	
	Q941	2SC1740S (R, S)	SI. TRANSISTOR	
	Q942	2SC1740S (R, S)	SI. TRANSISTOR	
	Q951	2SA933S (RS)	SI. TRANSISTOR	
	Q952	DTC144ES	DIGITAL TRANSISTOR	
	Q961	2SA934 (Q, R)	SI. TRANSISTOR	
	Q962	2SA934 (Q, R)	SI. TRANSISTOR	
	Q963	DTC123YS	SI. TRANSISTOR	
	Q964	DTC123YS	SI. TRANSISTOR	
	Q971	DTA114YS	DIGITAL TRANSISTOR	

△	Item	Parts Number	Description	Area
		CAPACITORS		
	C496	QFV81HJ-564	0.56MF 50V THIN FILM CAP.	
	C497	QFV81HJ-564	0.56MF 50V THIN FILM CAP.	
△	C499	QCZ9019-472	4700PF C. CAP.	
	C500	QFLB1HJ-103	0.01MF 50V MYLAR CAP.	
	C501	QETB1HM-105	1MF 50V AL E. CAP.	
	C502	QETB1HM-105	1MF 50V AL E. CAP.	
	C503	QCBB1HK-101Y	100PF 50V CER. CAP.	
	C504	QCBB1HK-101Y	100PF 50V CER. CAP.	
	C507	QETB1AM-107	100MF 10V AL E. CAP.	
	C508	QETB1AM-107	100MF 10V AL E. CAP.	
	C509	QCSB1HJ-100Y	10PF 50V CER. CAP.	
	C510	QCSB1HJ-100Y	10PF 50V CER. CAP.	
	C515	QCBB1HK-101Y	100PF 50V CER. CAP.	
	C516	QCBB1HK-101Y	100PF 50V CER. CAP.	
	C521	QFV81HJ-104	0.1MF 50V THIN FILM CAP.	
	C522	QFV81HJ-104	0.1MF 50V THIN FILM CAP.	
	C527	QETB1JM-107	100MF 63V AL E. CAP.	
	C528	QETB1JM-107	100MF 63V AL E. CAP.	
	C529	QETB2AM-105	1MF 100V E. CAP.	
	C530	QETB2AM-105	1MF 100V E. CAP.	
	C531	QFV81HJ-105	1MF 50V THIN FILM CAP.	
	C532	QFV81HJ-105	1MF 50V THIN FILM CAP.	
	C533	QETB1JM-476	47MF 63V AL E. CAP.	
	C534	QETB1JM-476	47MF 63V AL E. CAP.	
	C535	EET5601-228E	2200MF E. CAP.	
	C536	EET5601-228E	2200MF E. CAP.	
	C537	QFV82AJ-104	0.1MF 100V THIN FILM CAP.	
	C541	QETB1CM-476	47MF 16V AL E. CAP.	
	C542	QETB1EM-106	10MF 25V AL E. CAP.	
	C543	QFV82AJ-104	0.1MF 100V THIN FILM CAP.	
	C544	QFV82AJ-104	0.1MF 100V THIN FILM CAP.	
	C547	QFLB1HJ-473	0.047MF 50V MYLAR CAP.	
	C805	QFLB1HJ-223	0.022MF 50V MYLAR CAP.	
	C806	QFLB1HJ-223	0.022MF 50V MYLAR CAP.	
	C811	QETB1VM-228J7	2200MF 35V E. CAP.	
	C812	QETB1VM-477E	470MF 35V AL E. CAP.	
	C813	QETB1VM-477E	470MF 35V AL E. CAP.	
	C814	QFN82AJ-103	0.01MF 100V MYLAR CAP.	
	C821	QETB1HM-225	2.2MF 50V AL E. CAP.	
	C822	QETB1HM-105	1MF 50V AL E. CAP.	
	C841	QETB1HM-225	2.2MF 50V AL E. CAP.	
	C842	QETB0JM-478	4700MF 6.3V E. CAP.	
	C843	QETB1VM-477E	470MF 35V AL E. CAP.	
	C844	QETB0JM-477	470MF 6.3V AL E. CAP.	
	C845	QCZ0202-155	1.5MF 25V CER. RES.	
	C851	QCZ0202-155	1.5MF 25V CER. RES.	
	C852	QETB1CM-476	47MF 16V AL E. CAP.	
	C853	QCVB1CM-103Y	0.01MF 16V CER. CAP.	
	C887	QFLB1HJ-223	0.022MF 50V MYLAR CAP.	
	C888	QFLB1HJ-223	0.022MF 50V MYLAR CAP.	
	C889	QETB0JM-477	470MF 6.3V AL E. CAP.	
	C901	QETB1HM-105	1MF 50V AL E. CAP.	
	C902	QETB1HM-105	1MF 50V AL E. CAP.	
	C907	QETB1EM-106	10MF 25V AL E. CAP.	
	C908	QETB1EM-106	10MF 25V AL E. CAP.	
	C909	QFLB1HJ-473	0.047MF 50V MYLAR CAP.	
	C910	QFLB1HJ-473	0.047MF 50V MYLAR CAP.	
	C911	QETB1HM-105	1MF 50V AL E. CAP.	
	C912	QETB1HM-105	1MF 50V AL E. CAP.	
	C913	QCBB1HK-561Y	560PF 50V CER. CAP.	
	C914	QCBB1HK-561Y	560PF 50V CER. CAP.	
	C915	QETB1HM-105	1MF 50V AL E. CAP.	
	C916	QETB1HM-105	1MF 50V AL E. CAP.	
	C919	QFV81HJ-224	0.22MF 50V THIN FILM CAP.	
	C920	QFV81HJ-224	0.22MF 50V THIN FILM CAP.	



■ Electrical Parts List (ENH-271)

△	Item	Parts Number	Description	Area
	C921	QER51EM-475	4. 7MF 25V E. CAP.	
	C922	QER51EM-475	4. 7MF 25V E. CAP.	
	C923	QETB1CM-476	47MF 16V AL E. CAP.	
	C927	QETB1CM-476	47MF 16V AL E. CAP.	
	C941	QFLB1HJ-223	0. 022MF 50V MYLAR CAP.	
	C942	QFLB1HJ-223	0. 022MF 50V MYLAR CAP.	
	C943	QETB1HM-105	1MF 50V AL E. CAP.	
	C945	QCZ0202-155	1. 5MF 25V CER. RES.	
	C946	QCSB1HJ-470	47PF 50V CER. CAP.	
	C947	QCF21HP-103A	0. 01MF 50V CER. CAP.	
		RESISTORS		
	R501	QRD161J-102	1K 1/6W CARBON RES.	
	R502	QRD161J-102	1K 1/6W CARBON RES.	
	R503	QRD161J-563	56K 1/6W CARBON RES.	
	R504	QRD161J-563	56K 1/6W CARBON RES.	
△	R505	QRD14CJ-471SX	470 1/4W UNF. CARBON R	
△	R506	QRD14CJ-471SX	470 1/4W UNF. CARBON R	
	R507	QRD161J-471	470 1/6W CARBON RES.	
	R508	QRD161J-471	470 1/6W CARBON RES.	
	R509	QRD161J-563	56K 1/6W CARBON RES.	
	R510	QRD161J-563	56K 1/6W CARBON RES.	
△	R515	QRX014J-R22	0. 22 1W METAL FILM R	
△	R516	QRX014J-R22	0. 22 1W METAL FILM R	
△	R517	QRX014J-R22	0. 22 1W METAL FILM R	
△	R518	QRX014J-R22	0. 22 1W METAL FILM R	
△	R519	QRD14CJ-100SX	10 1/4W UNF. CARBON R	
△	R520	QRD14CJ-100SX	10 1/4W UNF. CARBON R	
	R521	QRD14CJ-4R7SX	4. 7 1/4W UNF. CARBON R	
	R522	QRD14CJ-4R7SX	4. 7 1/4W UNF. CARBON R	
△	R527	QRD14CJ-271S	270 1/4W UNF. CARBON R	
△	R528	QRD14CJ-271S	270 1/4W UNF. CARBON R	
△	R529	QRD14CJ-101S	100 1/4W UNF. CARBON R	
△	R530	QRD14CJ-101S	100 1/4W UNF. CARBON R	
	R531	QRX022J-R68A	0. 68 2W METAL FILM R	
	R532	QRX022J-R68A	0. 68 2W METAL FILM R	
	R541	QRD161J-122	1. 2K 1/6W CARBON RES.	
	R542	QRD161J-122	1. 2K 1/6W CARBON RES.	
	R543	QRD167J-223	22K 1/6W CARBON RES.	
	R544	QRD167J-223	22K 1/6W CARBON RES.	
	R545	QRD161J-103	10K 1/6W CARBON RES.	
	R546	QRD161J-103	10K 1/6W CARBON RES.	
	R547	QRD161J-104	100K 1/6W CARBON RES.	
	R548	QRD161J-823	82K 1/6W CARBON RES.	
	R549	QRD161J-104	100K 1/6W CARBON RES.	
	R550	QRD161J-103	10K 1/6W CARBON RES.	
	R551	QRD161J-104	100K 1/6W CARBON RES.	
	R552	QRD161J-103	10K 1/6W CARBON RES.	
	R555	QRG01DJ-562X	5. 6K 1W OXIDE METAL	
	R556	QRG01DJ-562X	5. 6K 1W OXIDE METAL	
	R801	QRD167J-152	1. 5K 1/6W CARBON RES.	
	R802	QRG01DJ-681X	680 1W OXIDE METAL	
	R803	QRG01DJ-681X	680 1W OXIDE METAL	
	R805	QRD14CJ-4R7SX	4. 7 1/4W UNF. CARBON R	
	R806	QRD14CJ-4R7SX	4. 7 1/4W UNF. CARBON R	
	R821	QRD161J-103	10K 1/6W CARBON RES.	
	R822	QRD161J-102	1K 1/6W CARBON RES.	
	R823	QRD161J-104	100K 1/6W CARBON RES.	
	R825	QRD161J-103	10K 1/6W CARBON RES.	
	R826	QRD161J-103	10K 1/6W CARBON RES.	
	R831	QRD161J-473	47K 1/6W CARBON RES.	
	R832	QRD161J-473	47K 1/6W CARBON RES.	
△	R833	QRD14CJ-681SX	680 1/4W UNF. CARBON R	
△	R834	QRD14CJ-681SX	680 1/4W UNF. CARBON R	
△	R835	QRD14CJ-681SX	680 1/4W UNF. CARBON R	
△	R836	QRD14CJ-681SX	680 1/4W UNF. CARBON R	
	R841	QRD161J-473	47K 1/6W CARBON RES.	

△	Item	Parts Number	Description	Area
	R842	QRD161J-473	47K 1/6W CARBON RES.	
	R843	QRD14CJ-4R7SX	4. 7 1/4W UNF. CARBON R	
	R845	QRD161J-102	1K 1/6W CARBON RES.	
	R846	QRD161J-102	1K 1/6W CARBON RES.	
	R847	QRD161J-102	1K 1/6W CARBON RES.	
	R848	QRD161J-102	1K 1/6W CARBON RES.	
	R851	QRD161J-105	1M 1/6W CARBON RES.	
	R855	QRD161J-103	10K 1/6W CARBON RES.	
	R857	QRD161J-222	2. 2K 1/6W CARBON RES.	
	R858	QRD161J-103	10K 1/6W CARBON RES.	
	R859	QRD161J-103	10K 1/6W CARBON RES.	
	R861	QRD161J-103	10K 1/6W CARBON RES.	
	R863	QRD161J-103	10K 1/6W CARBON RES.	
	R864	QRD161J-103	10K 1/6W CARBON RES.	
	R865	QRD161J-103	10K 1/6W CARBON RES.	
	R866	QRD161J-103	10K 1/6W CARBON RES.	
	R867	QRD161J-103	10K 1/6W CARBON RES.	
	R868	QRD161J-103	10K 1/6W CARBON RES.	
	R871	QRD161J-103	10K 1/6W CARBON RES.	
	R872	QRD161J-103	10K 1/6W CARBON RES.	
	R874	QRD161J-103	10K 1/6W CARBON RES.	
	R875	QRD161J-103	10K 1/6W CARBON RES.	
	R876	QRD161J-103	10K 1/6W CARBON RES.	
	R877	QRD161J-103	10K 1/6W CARBON RES.	
	R878	QRD161J-103	10K 1/6W CARBON RES.	
	R879	QRD161J-103	10K 1/6W CARBON RES.	
	R881	QRG012J-471A	470 1W OXIDE METAL	
	R882	QRD167J-152	1. 5K 1/6W CARBON RES.	
	R883	QRG01DJ-681X	680 1W OXIDE METAL	
	R884	QRD167J-152	1. 5K 1/6W CARBON RES.	
△	R885	QRG012J-102A	1K 1W OXIDE METAL	
△	R886	QRG012J-102A	1K 1W OXIDE METAL	
	R887	QRD14CJ-4R7SX	4. 7 1/4W UNF. CARBON R	
	R888	QRD14CJ-4R7SX	4. 7 1/4W UNF. CARBON R	
	R893	QRD161J-103	10K 1/6W CARBON RES.	
	R909	QRD161J-183	18K 1/6W CARBON RES.	
	R910	QRD161J-183	18K 1/6W CARBON RES.	
	R911	QRD161J-132	1. 3K 1/6W CARBON RES.	
	R912	QRD161J-132	1. 3K 1/6W CARBON RES.	
	R913	QRD161J-163	16K 1/6W CARBON RES.	
	R914	QRD161J-163	16K 1/6W CARBON RES.	
	R922	QRD161J-103	10K 1/6W CARBON RES.	
	R923	QRD161J-105	1M 1/6W CARBON RES.	
	R924	QRD161J-183	18K 1/6W CARBON RES.	
	R925	QRD161J-183	18K 1/6W CARBON RES.	
△	R927	QRD14CJ-220S	22 1/4W UNF. CARBON R	
	R931	QRD161J-103	10K 1/6W CARBON RES.	
	R932	QRD161J-103	10K 1/6W CARBON RES.	
	R933	QRD161J-103	10K 1/6W CARBON RES.	
	R934	QRD161J-103	10K 1/6W CARBON RES.	
	R935	QRD161J-103	10K 1/6W CARBON RES.	
	R936	QRD161J-103	10K 1/6W CARBON RES.	
	R937	QRD161J-754	750K 1/6W CARBON RES.	
	R938	QRD161J-754	750K 1/6W CARBON RES.	
	R941	QRD161J-105	1M 1/6W CARBON RES.	
	R942	QRD161J-103	10K 1/6W CARBON RES.	
	R943	QRD161J-105	1M 1/6W CARBON RES.	
	R944	QRD161J-104	100K 1/6W CARBON RES.	
	R945	QRD161J-913	91K 1/6W CARBON RES.	
	R951	QRD161J-273	27K 1/6W CARBON RES.	
	R952	QRD161J-473	47K 1/6W CARBON RES.	
	R953	QRD161J-473	47K 1/6W CARBON RES.	
	R954	QRD161J-473	47K 1/6W CARBON RES.	
	R955	QRD161J-103	10K 1/6W CARBON RES.	
	R961	QRD161J-471	470 1/6W CARBON RES.	
	R962	QRD161J-471	470 1/6W CARBON RES.	

■ Electrical Parts List (ENH-271)

△	Item	Parts Number	Description	Area
	R963	QRD161J-101	100 1/6W CARBON RES.	
	R964	QRD161J-101	100 1/6W CARBON RES.	
△	R965	QRX022J-3R3A	3.3 2W METAL FILM R	
△	R966	QRX022J-3R3A	3.3 2W METAL FILM R	
	R971	QRD161J-104	100K 1/6W CARBON RES.	
	R972	QRD161J-274	270K 1/6W CARBON RES.	
	R980	QRD161J-274	270K 1/6W CARBON RES.	
	R981	QRD161J-103	10K 1/6W CARBON RES.	
	R982	QRD161J-104	100K 1/6W CARBON RES.	
	R983	QRD161J-104	100K 1/6W CARBON RES.	
	R984	QRD161J-104	100K 1/6W CARBON RES.	
	R1006	QRD161J-473	47K 1/6W CARBON RES.	
	VR951	QVPA603-103A	10K TRIMMER RES.	
		OTHERS		
		EMW10558-004	PRINTED BOARD	
		E309594-001SM	SHIELD BRACKET	
	J801	EMB10TV-401BJ4	SPEAKER TERMINAL	
	J881	EMN00TV-225A	PIN JACK	
	J882	EMN00TV-117A	PIN JACK	
	K501	ENZ8101-007	INDUCTOR	
	K502	ENZ8101-007	INDUCTOR	
	K503	ENZ8101-007	INDUCTOR	
	K504	ENZ8101-007	INDUCTOR	
	L519	EQL0011-R45J1	INDUCTOR	
	L520	EQL0011-R45J1	INDUCTOR	
	L531	EQL1002-100	INDUCTOR	
	L532	EQL1002-100	INDUCTOR	
	L601	EQL4004-1R0	INDUCTOR	
	S001	QSR8001-E01U	ROTARY SWITCH	
	X851	ECX0008-000KMZ	CRYSTAL	
	CN311	VMC0314-S08	CONNECT TERMINAL	
	CN312	VMC0314-S08	CONNECT TERMINAL	
	CN313	VMC0314-S14	CONNECT TERMINAL	
	CN314	VMC0314-S08	CONNECT TERMINAL	
	CN412	EWS293-0122	SOCKET WIRE ASSY	
	CN501	EMV5163-015R	CONNECT TERMINAL	
	CN503	EMV7167-016R	CONNECT TERMINAL	
	CN504	EMV7167-028R	CONNECT TERMINAL	
	CN505	EMV7155-115R	CONNECT TERMINAL	
	CN511	EMV7163-015	CONNECT TERMINAL	
	CN512	EMV5125-011	MALE CONNECTOR	
	CN521	EMV5163-008R	CONNECT TERMINAL	
	CN531	EMV7163-008	CONNECT TERMINAL	
	CN555	EMV7124-005	CONNECT TERMINAL	
	CN556	EMV5122-005R	CONNECT TERMINAL	
	CN613	EMV7160-007	CONNECT TERMINAL	
	CN614	EMV7160-011	CONNECT TERMINAL	
	CN811	VMC0163-R10	CONNECT TERMINAL	
	CN901	VMC0107-R09	CONNECT TERMINAL	
	EP801	E409182-001SM	EARTH TERMINAL	
	FS555	E3400-431	FELT SPACER	
	FS556	E3400-431	FELT SPACER	
	FT001	VMZ0087-001Z	FUSE HOLDER	
	FT002	VMZ0087-001Z	FUSE HOLDER	
	FT003	VMZ0087-001Z	FUSE HOLDER	
	FT004	VMZ0087-001Z	FUSE HOLDER	
	FT005	VMZ0087-001Z	FUSE HOLDER	
	FT006	VMZ0087-001Z	FUSE HOLDER	
	FT007	VMZ0087-001Z	FUSE HOLDER	
	FT008	VMZ0087-001Z	FUSE HOLDER	
	FW501	EWR39D-20SS	FLAT WIRE	
	FW581	EWR35B-16SST	FLAT WIRE	
	FW583	EWR37D-10SS	FLAT WIRE	
	FW801	EWR3AD-16SS	FLAT WIRE	
	JW001	QWE886-24RR	VINYL WIRE	
	JW002	QWE884-26RR	VINYL WIRE	

△	Item	Parts Number	Description	Area
	JW003	QWE889-24RR	VINYL WIRE	
	JW004	QWE882-24RR	VINYL WIRE	
	JW005	QWE883-24RR	VINYL WIRE	
	JW006	QWE881-26RR	VINYL WIRE	
	JW801	QWE350-14RR	VINYL WIRE	
	RY801	ESK7D24-213R	RELAY	
	RY881	ESK7D24-213R	RELAY	
	RY883	ESK7D24-213R	RELAY	
	SP851	VYH7653-001	LEAF SPRING	
	TB001	EMZ4001-001	TAB	
	TB002	EMZ4001-001	TAB	
	TW101	EWT011-178	TERMINAL WIRE	
	TW501	EWT011-175	TERMINAL WIRE ASSY	

■ Electrical Parts List (ENC-127)

△	Item	Parts Number	Description	Area
		I. C. S		
	IC081	TC9409F-000	I. C (DIGI-MOS)	
	IC102	LA1836M	I. C (MONO-ANALOG)	
	IC103	MC13028M	I. C (M)	
	IC121	LC72131M	I. C (M)	
	IC301	BA15218N	I. C (MONO-ANALOG)	
	IC302	BA15218N	I. C (MONO-ANALOG)	
	IC303	BA15218N	I. C (MONO-ANALOG)	
	IC304	BA3126N	I. C (MONO-ANALOG)	
	IC401	TC9163AN	I. C (DIGI-MOS)	
	IC411	BA15218N	I. C (MONO-ANALOG)	
	IC441	TDA7319	I. C (M)	
	IC461	NJM4580DD	I. C (MONO-ANALOG)	
	IC471	BA15218N	I. C (MONO-ANALOG)	
	IC481	UPD7001C	I. C (MONO-ANALOG)	
		DIODES		
	D091	MTZ2. 0JAT-77	ZENER DIODE	
	D092	MTZ3. 0JAT-77	ZENER DIODE	
	D121	1SS133	SI. DIODE	
	D126	1SS133	SI. DIODE	
	D127	1SS133	SI. DIODE	
	D129	1SS133	SI. DIODE	
	D130	1SS133	SI. DIODE	
	D142	MA700	SI. DIODE	
	D182	1SS133	SI. DIODE	
	D183	1SS133	SI. DIODE	
	D190	1SS133	SI. DIODE	
	D290	1SS133	SI. DIODE	
	D441	MTZ10JC	ZENER DIODE	
	D479	1SS133	SI. DIODE	
	D480	1SS133	SI. DIODE	
	D481	1SS133	SI. DIODE	
	D495	MTZ8. 2JC	ZENER DIODE	
	D498	1SS133	SI. DIODE	
	D499	1SS133	SI. DIODE	
	D561	MTZ10JC	ZENER DIODE	
	D562	1SS254	DIODE	
	D563	1SS254	DIODE	
	D564	1SS254	DIODE	
	D565	MTZ8. 8JC	ZENER DIODE	
	D566	MTZ9. 1JC	ZENER DIODE	
	D567	MTZ13JC	ZENER DIODE	
	D568	MTZ13JC	ZENER DIODE	
	D581	MTZ33JC	ZENER DIODE	
	D582	1SR35-100	SI. DIODE	
	D583	1SR35-100	SI. DIODE	
	D586	MTZ7. 5JC	ZENER DIODE	
		TRANSISTORS		
	Q101	2SC461	SI. TRANSISTOR	
	Q102	2SC535	SI. TRANSISTOR	
	Q103	2SC461	SI. TRANSISTOR	
	Q121	DTA124ES	DIGITAL TRANSISTOR	
	Q122	DTA124ES	DIGITAL TRANSISTOR	
	Q141	DTC114ES	DIGITAL TRANSISTOR	
	Q142	DTC114ES	DIGITAL TRANSISTOR	
	Q143	DTC114ES	DIGITAL TRANSISTOR	
	Q190	DTA124ES	DIGITAL TRANSISTOR	
	Q195	2SD2144S (VW)	SI. TRANSISTOR	
	Q196	2SD2144S (VW)	SI. TRANSISTOR	
	Q197	2SC1740S (R, S)	SI. TRANSISTOR	
	Q198	2SC1740S (R, S)	SI. TRANSISTOR	
	Q199	DTA124ES	DIGITAL TRANSISTOR	
	Q301	2SD2144S (VW)	SI. TRANSISTOR	
	Q302	2SD2144S (VW)	SI. TRANSISTOR	
	Q303	2SC1740S (R, S)	SI. TRANSISTOR	
	Q304	2SC1740S (R, S)	SI. TRANSISTOR	
	Q305	2SC1740S (R, S)	SI. TRANSISTOR	

△	Item	Parts Number	Description	Area
	Q306	2SC1740S (R, S)	SI. TRANSISTOR	
	Q309	DTC144TS	DIGITAL TRANSISTOR	
	Q310	DTC144TS	DIGITAL TRANSISTOR	
	Q326	2SC1740S (R, S)	SI. TRANSISTOR	
	Q327	2SC1740S (R, S)	SI. TRANSISTOR	
	Q328	2SC1740S (R, S)	SI. TRANSISTOR	
	Q329	2SC1740S (R, S)	SI. TRANSISTOR	
	Q341	2SC1740S (R, S)	SI. TRANSISTOR	
	Q342	2SC1740S (R, S)	SI. TRANSISTOR	
	Q451	2SD2144S (VW)	SI. TRANSISTOR	
	Q452	2SD2144S (VW)	SI. TRANSISTOR	
	Q455	DTA144ES	DIGITAL TRANSISTOR	
	Q491	DTC114YS	DIGITAL TRANSISTOR	
	Q492	DTC114YS	DIGITAL TRANSISTOR	
	Q495	2SD400MP (E, F)	SI. TRANSISTOR	
	Q561	2SC1740S (R, S)	SI. TRANSISTOR	
	Q562	2SA933S (RS)	SI. TRANSISTOR	
	Q563	2SB1187 (F, G)	SI. TRANSISTOR	
	Q564	2SC1740S (R, S)	SI. TRANSISTOR	
	Q565	2SD2061 (F, G)	SI. TRANSISTOR	
	Q567	2SC1740S (R, S)	SI. TRANSISTOR	
	Q568	2SD2061 (F, G)	SI. TRANSISTOR	
	Q569	2SC1740S (R, S)	SI. TRANSISTOR	
	Q570	2SD2061 (F, G)	SI. TRANSISTOR	
	Q571	2SB1187 (F, G)	SI. TRANSISTOR	
	Q572	DTA144ES	DIGITAL TRANSISTOR	
	Q575	DTC144ES	DIGITAL TRANSISTOR	
	Q576	DTA144ES	DIGITAL TRANSISTOR	
	Q577	DTA144ES	DIGITAL TRANSISTOR	
	Q578	DTC144ES	DIGITAL TRANSISTOR	
	Q581	2SA934 (Q, R)	SI. TRANSISTOR	
		CAPACITORS		
	C021	QETB1HM-475E	4.7MF 50V E. CAP.	
	C023	QFLB1HJ-472	4700PF 50V MYLAR CAP.	
	C027	QCB1HK-102Y	1000PF 50V CER. CAP.	
	C029	QCVB1CM-103Y	0.01MF 16V CER. CAP.	
	C030	QETB1AM-476	47MF 10V E. CAP.	
	C031	QER51EM-475	4.7MF 25V E. CAP.	
	C032	QER51EM-475	4.7MF 25V E. CAP.	
	C033	QFLB1HJ-222	2200PF 50V MYLAR CAP.	
	C034	QFLB1HJ-222	2200PF 50V MYLAR CAP.	
	C037	QCB1HK-331Y	330PF 50V CER. CAP.	
	C038	QCB1HK-331Y	330PF 50V CER. CAP.	
	C039	QCVB1CM-103Y	0.01MF 16V CER. CAP.	
	C040	QETB1AM-107	100MF 10V AL E. CAP.	
	C058	QCVB1CM-103Y	0.01MF 16V CER. CAP.	
	C059	QETB1AM-107	100MF 10V AL E. CAP.	
	C071	QETB1AM-107	100MF 10V AL E. CAP.	
	C072	QETB1AM-107	100MF 10V AL E. CAP.	
	C073	QCVB1CM-103Y	0.01MF 16V CER. CAP.	
	C074	QCVB1CM-103Y	0.01MF 16V CER. CAP.	
	C075	QETB1AM-107	100MF 10V AL E. CAP.	
	C076	QCVB1CM-103Y	0.01MF 16V CER. CAP.	
	C077	QETB1AM-107	100MF 10V AL E. CAP.	
	C078	QCVB1CM-103Y	0.01MF 16V CER. CAP.	
	C079	QETB1AM-107	100MF 10V AL E. CAP.	
	C080	QCVB1CM-103Y	0.01MF 16V CER. CAP.	
	C081	QCS31HJ-6R0Z	6PF 50V CER. CAP.	
	C082	QCS31HJ-6R0Z	6PF 50V CER. CAP.	
	C086	QCVB1CM-103Y	0.01MF 16V CER. CAP.	
	C088	QCFB1HZ-104Y	0.1MF 50V CER. CAP.	
	C089	QCB1HK-561Y	560PF 50V CER. CAP.	
	C101	QCF21HP-103A	0.01MF 50V CER. CAP.	
	C102	QETB1EM-476	47MF 25V AL E. CAP.	
	C103	QCF21HP-223A	0.022MF 50V CER. CAP.	
	C104	QCHB1EZ-223	0.022MF 25V CER. CAP.	
	C105	QCHB1EZ-223	0.022MF 25V CER. CAP.	

■ Electrical Parts List (ENC-127)

△	Item	Parts Number	Description	Area
	C107	QCHB1EZ-223	0.022MF 25V CER. CAP.	
	C111	QCHB1EZ-223	0.022MF 25V CER. CAP.	
	C112	QCT30CH-120Y	12PF 50V CER. CAP.	
	C113	QCC21EM-473	0.047MF 25V CER. CAP.	
	C121	QCT30CH-180Y	18PF 50V CER. CAP.	
	C122	QCT30CH-180Y	18PF 50V CER. CAP.	
	C123	QCC21EM-473	0.047MF 25V CER. CAP.	
	C124	QCS21HJ-101A	100PF 50V CER. CAP.	
	C126	QCB1HK-101Y	100PF 50V CER. CAP.	
	C128	QFV71HJ-474ZM	0.47MF 50V THIN FILM CAP.	
	C129	QCB1HK-102Y	1000PF 50V CER. CAP.	
	C130	QETB1CM-227	220MF 16V AL E. CAP.	
	C131	QCXB1CM-472Y	4700PF 16V CER. CAP.	
	C132	QCXB1CM-472Y	4700PF 16V CER. CAP.	
	C141	QCC21EM-473	0.047MF 25V CER. CAP.	
	C142	QETB1HM-106	10MF 50V E. CAP.	
	C143	QCHB1EZ-223	0.022MF 25V CER. CAP.	
	C144	QCC21EM-223	0.022MF 25V CER. CAP.	
	C145	QETB1HM-475E	4.7MF 50V E. CAP.	
	C146	QETB1HM-106	10MF 50V E. CAP.	
	C147	QETB1HM-105	1MF 50V AL E. CAP.	
	C148	QETB1HM-474	0.47MF 50V E. CAP.	
	C149	QETB1HM-105	1MF 50V AL E. CAP.	
	C150	QETC1HM-225ZN	2.2MF 50V AL E. CAP.	
	C153	QCY31HK-821Z	820PF 50V CER. CAP.	
	C154	QCXB1CM-472Y	4700PF 16V CER. CAP.	
	C155	QETB1EM-476	47MF 25V AL E. CAP.	
	C156	QCHB1EZ-223	0.022MF 25V CER. CAP.	
	C157	QCF21HP-473A	0.047MF 50V CER. CAP.	
	C158	QETB1HM-106	10MF 50V E. CAP.	
	C159	QFLB1HJ-333	0.033MF 50V NYLAR CAP.	
	C160	QFLB1HJ-333	0.033MF 50V NYLAR CAP.	
	C161	QETB1HM-225	2.2MF 50V AL E. CAP.	
	C162	QETB1HM-225	2.2MF 50V AL E. CAP.	
	C163	QETB1EM-106	10MF 25V AL E. CAP.	
	C164	QCVB1CM-103Y	0.01MF 16V CER. CAP.	
	C165	QCHB1EZ-223	0.022MF 25V CER. CAP.	
	C167	QFLB1HJ-102	1000PF 50V NYLAR CAP.	
	C168	QFV81HJ-274	0.27MF 50V THIN FILM CAP.	
	C169	QCZ0205-155	1.5MF 25V C. CAP.	
	C170	QETB1HM-106	10MF 50V E. CAP.	
	C171	QFV71HJ-474ZM	0.47MF 50V THIN FILM CAP.	
	C172	QETB1HM-106	10MF 50V E. CAP.	
	C173	QETB1EM-226N	22MF 25V E. CAP.	
	C174	QETB1HM-106	10MF 50V E. CAP.	
	C175	QETB1HM-474	0.47MF 50V E. CAP.	
	C176	QFV81HJ-224	0.22MF 50V THIN FILM CAP.	
	C177	QCT25CH-470Z	47PF 50V CER. CAP.	
	C178	QETB1EM-476	47MF 25V AL E. CAP.	
	C179	QCHB1EZ-223	0.022MF 25V CER. CAP.	
	C180	QETB1EM-226N	22MF 25V E. CAP.	
	C181	QFLB1HJ-562	5600PF 50V NYLAR CAP.	
	C182	QFLB1HJ-562	5600PF 50V NYLAR CAP.	
	C185	QETB1HM-225	2.2MF 50V AL E. CAP.	
	C186	QETB1HM-225	2.2MF 50V AL E. CAP.	
	C191	QETB1HM-225	2.2MF 50V AL E. CAP.	
	C192	QETB1HM-225	2.2MF 50V AL E. CAP.	
	C193	QCHB1EZ-223	0.022MF 25V CER. CAP.	
	C301	QETB1HM-225	2.2MF 50V AL E. CAP.	
	C302	QETB1HM-225	2.2MF 50V AL E. CAP.	
	C303	QETB1HM-225	2.2MF 50V AL E. CAP.	
	C304	QETB1HM-225	2.2MF 50V AL E. CAP.	
	C305	QCB1HK-101Y	100PF 50V CER. CAP.	
	C306	QCB1HK-101Y	100PF 50V CER. CAP.	
	C307	QCB1HK-181Y	180PF 50V CER. CAP.	
	C308	QCB1HK-181Y	180PF 50V CER. CAP.	
	C309	QETB1EM-106	10MF 25V AL E. CAP.	

△	Item	Parts Number	Description	Area
	C310	QETB1EM-106	10MF 25V AL E. CAP.	
	C311	QCSB1HJ-470	47PF 50V CER. CAP.	
	C312	QCSB1HJ-470	47PF 50V CER. CAP.	
	C313	QETB1CM-476	47MF 16V AL E. CAP.	
	C314	QETB1CM-476	47MF 16V AL E. CAP.	
	C315	QETB1HM-105	1MF 50V AL E. CAP.	
	C316	QETB1HM-105	1MF 50V AL E. CAP.	
	C317	QETB1EM-106	10MF 25V AL E. CAP.	
	C318	QETB1CM-107	100MF 16V AL E. CAP.	
	C320	QFLB1HJ-682	6800PF 50V NYLAR CAP.	
	C321	QFLB1HJ-332	3300PF 50V NYLAR CAP.	
	C322	QFLB1HJ-332	3300PF 50V NYLAR CAP.	
	C323	QFLB1HJ-183	0.018MF 50V NYLAR CAP.	
	C324	QFP31HG-472	4700PF 50V POLYPROP. FILM	
	C325	QCB1HK-101Y	100PF 50V CER. CAP.	
	C326	QCB1HK-101Y	100PF 50V CER. CAP.	
	C331	QCXB1CM-152Y	1500PF 16V CER. CAP.	
	C332	QCXB1CM-152Y	1500PF 16V CER. CAP.	
	C333	QFLB1HJ-273	0.027MF 50V NYLAR CAP.	
	C334	QFLB1HJ-273	0.027MF 50V NYLAR CAP.	
	C347	QFLB1HJ-682	6800PF 50V NYLAR CAP.	
	C348	QFLB1HJ-682	6800PF 50V NYLAR CAP.	
	C349	QFLB1HJ-123	0.012MF 50V NYLAR CAP.	
	C350	QFLB1HJ-123	0.012MF 50V NYLAR CAP.	
	C353	QCY21HK-392	3900PF 50V CER. CAP.	
	C354	QCY21HK-392	3900PF 50V CER. CAP.	
	C355	QFN81HJ-822	8200PF 50V METAL. NYLAR	
	C356	QFN81HJ-822	8200PF 50V METAL. NYLAR	
	C361	QCF21HP-473A	0.047MF 50V CER. CAP.	
	C362	QCF21HP-473A	0.047MF 50V CER. CAP.	
	C365	QEK51HM-226	22MF 50V AL E. CAP.	
	C366	QEK51HM-226	22MF 50V AL E. CAP.	
	C367	QFLB1HJ-682	6800PF 50V NYLAR CAP.	
	C368	QFLB1HJ-682	6800PF 50V NYLAR CAP.	
	C369	QETB1AM-107	100MF 10V AL E. CAP.	
	C370	QETB1AM-107	100MF 10V AL E. CAP.	
	C371	QETB1HM-225	2.2MF 50V AL E. CAP.	
	C372	QETB1HM-225	2.2MF 50V AL E. CAP.	
	C373	QETB1CM-476	47MF 16V AL E. CAP.	
	C374	QETB1CM-476	47MF 16V AL E. CAP.	
	C375	QCB1HK-101Y	100PF 50V CER. CAP.	
	C376	QCB1HK-101Y	100PF 50V CER. CAP.	
	C377	QCXB1CM-122	1200PF 16V POLYPROP. FILM	
	C378	QCXB1CM-122	1200PF 16V POLYPROP. FILM	
	C379	QCB1HK-331Y	330PF 50V CER. CAP.	
	C380	QCB1HK-331Y	330PF 50V CER. CAP.	
	C381	QETB1CM-476	47MF 16V AL E. CAP.	
	C385	QFLB1HJ-682	6800PF 50V NYLAR CAP.	
	C386	QFLB1HJ-682	6800PF 50V NYLAR CAP.	
	C387	QETB1AM-107	100MF 10V AL E. CAP.	
	C388	QETB1AM-107	100MF 10V AL E. CAP.	
	C389	QETB1HM-225	2.2MF 50V AL E. CAP.	
	C390	QETB1HM-225	2.2MF 50V AL E. CAP.	
	C391	QETB1CM-107	100MF 16V AL E. CAP.	
	C392	QETB1CM-107	100MF 16V AL E. CAP.	
	C393	QCB1HK-101Y	100PF 50V CER. CAP.	
	C394	QCB1HK-101Y	100PF 50V CER. CAP.	
	C395	QCB1HK-331Y	330PF 50V CER. CAP.	
	C396	QCB1HK-331Y	330PF 50V CER. CAP.	
	C397	QCB1HK-391Y	390PF 50V CER. CAP.	
	C398	QCB1HK-391Y	390PF 50V CER. CAP.	
	C401	QCHB1EZ-223	0.022MF 25V CER. CAP.	
	C411	QETB1EM-226N	22MF 25V E. CAP.	
	C412	QETB1EM-226N	22MF 25V E. CAP.	
	C415	QETB1HM-475E	4.7MF 50V E. CAP.	
	C416	QETB1HM-475E	4.7MF 50V E. CAP.	
	C417	QETB1CM-476	47MF 16V AL E. CAP.	

## ■ Electrical Parts List (ENC-127)

△	Item	Parts Number	Description	Area
	C418	QETB1CM-476	47MF 16V AL. E. CAP.	
	C421	QCXB1CM-222Y	2200PF 16V CER. CAP.	
	C422	QCXB1CM-222Y	2200PF 16V CER. CAP.	
	C425	QETB1HM-225	2. 2MF 50V AL. E. CAP.	
	C426	QETB1HM-225	2. 2MF 50V AL. E. CAP.	
	C429	QETB1EM-107	100MF 25V AL. E. CAP.	
	C430	QETB1EM-107	100MF 25V AL. E. CAP.	
	C441	QCXB1CM-272Y	2700PF 16V CER. CAP.	
	C442	QCXB1CM-272Y	2700PF 16V CER. CAP.	
	C443	QFV71HJ-124ZM	0. 12MF 50V THIN FILM CAP.	
	C444	QFV71HJ-124ZM	0. 12MF 50V THIN FILM CAP.	
	C445	QFV81HJ-224	0. 22MF 50V THIN FILM CAP.	
	C446	QFV81HJ-224	0. 22MF 50V THIN FILM CAP.	
	C447	QFV81HJ-154	0. 15MF 50V THIN FILM CAP.	
	C448	QFV81HJ-154	0. 15MF 50V THIN FILM CAP.	
	C449	QFV81HJ-564	0. 56MF 50V THIN FILM CAP.	
	C450	QFV81HJ-564	0. 56MF 50V THIN FILM CAP.	
	C451	QETB1HM-105	1MF 50V AL. E. CAP.	
	C452	QETB1HM-105	1MF 50V AL. E. CAP.	
	C453	QETB1HM-105	1MF 50V AL. E. CAP.	
	C454	QETB1HM-105	1MF 50V AL. E. CAP.	
	C455	QETB1CM-226	22MF 16V E. CAP.	
	C456	QETB1EM-107	100MF 25V AL. E. CAP.	
	C457	QETB1CM-226	22MF 16V E. CAP.	
	C461	QFLB1HJ-472	4700PF 50V MYLAR CAP.	
	C462	QFLB1HJ-472	4700PF 50V MYLAR CAP.	
	C463	QFLB1HJ-821	820PF 50V MYLAR CAP.	
	C464	QFLB1HJ-821	820PF 50V MYLAR CAP.	
	C465	QETB1HM-105	1MF 50V AL. E. CAP.	
	C466	QETB1HM-105	1MF 50V AL. E. CAP.	
	C471	QETB1HM-225	2. 2MF 50V AL. E. CAP.	
	C472	QETB1CM-476	47MF 16V AL. E. CAP.	
	C473	QCSB1HJ-470	47PF 50V CER. CAP.	
	C474	QCSB1HJ-100Y	10PF 50V CER. CAP.	
	C475	QETB1HM-225	2. 2MF 50V AL. E. CAP.	
	C476	QETB1CM-476	47MF 16V AL. E. CAP.	
	C477	QFV81HJ-104	0. 1MF 50V THIN FILM CAP.	
	C478	QFV71HJ-474ZM	0. 47MF 50V THIN FILM CAP.	
	C480	QFLB1HJ-223	0. 022MF 50V MYLAR CAP.	
	C481	QFLB1HJ-152	1500PF 50V MYLAR CAP.	
	C482	QETB1HM-474	0. 47MF 50V E. CAP.	
	C483	QETB1HM-474	0. 47MF 50V E. CAP.	
	C484	QETB1HM-474	0. 47MF 50V E. CAP.	
	C487	QETB1CM-476	47MF 16V AL. E. CAP.	
	C494	QCSB1HJ-470	47PF 50V CER. CAP.	
	C561	QETB1HM-106	10MF 50V E. CAP.	
	C562	QCVB1CM-103Y	0. 01MF 16V CER. CAP.	
	C563	QETB1EM-106	10MF 25V AL. E. CAP.	
	C564	QETB1AM-476	47MF 10V E. CAP.	
	C565	QCVB1CM-103Y	0. 01MF 16V CER. CAP.	
	C566	QETB1EM-106	10MF 25V AL. E. CAP.	
	C567	QETB1CM-226	22MF 16V E. CAP.	
	C568	QCF21HP-103A	0. 01MF 50V CER. CAP.	
	C569	QETB1EM-106	10MF 25V AL. E. CAP.	
	C570	QETB1CM-476	47MF 16V AL. E. CAP.	
	C571	QFLB1HJ-103	0. 01MF 50V MYLAR CAP.	
	C572	QETB1EM-106	10MF 25V AL. E. CAP.	
	C573	QETB1CM-476	47MF 16V AL. E. CAP.	
	C574	QFLB1HJ-103	0. 01MF 50V MYLAR CAP.	
	C575	QETB1EM-106	10MF 25V AL. E. CAP.	
	C581	QCVB1CM-103Y	0. 01MF 16V CER. CAP.	
	C582	QETB1JM-107	100MF 63V AL. E. CAP.	
	C583	QETB1JM-476	47MF 63V AL. E. CAP.	
	C584	QETB1HM-226E	22MF 50V E. CAP.	
	C585	QETB1HM-226E	22MF 50V E. CAP.	
	C586	QETB1HM-476	47MF 50V E. CAP.	
	C589	QETB1HM-105	1MF 50V AL. E. CAP.	

△	Item	Parts Number	Description	Area
	C590	QETB1HM-105	1MF 50V AL. E. CAP.	
	C600	QCZ0205-155	1. 5MF 25V C. CAP.	
	C601	QCS31HJ-561Z	560PF 50V CER. CAP.	
	C602	QCZ0205-155	1. 5MF 25V C. CAP.	
	C603	QCZ0205-155	1. 5MF 25V C. CAP.	
	C0001	QETB0JM-227	220MF 6. 3V E. CAP.	
		RESISTORS		
	R023	QRD161J-103	10K 1/6W CARBON RES.	
	R025	QRD161J-103	10K 1/6W CARBON RES.	
	R027	QRD161J-103	10K 1/6W CARBON RES.	
	R033	QRD161J-103	10K 1/6W CARBON RES.	
	R034	QRD161J-103	10K 1/6W CARBON RES.	
	R035	QRD161J-103	10K 1/6W CARBON RES.	
	R036	QRD161J-103	10K 1/6W CARBON RES.	
	R037	QRD161J-103	10K 1/6W CARBON RES.	
	R038	QRD161J-103	10K 1/6W CARBON RES.	
	R068	QRD161J-222	2. 2K 1/6W CARBON RES.	
	R069	QRD161J-222	2. 2K 1/6W CARBON RES.	
	R070	QRD161J-222	2. 2K 1/6W CARBON RES.	
	R071	QRD161J-100	10 1/6W CARBON RES.	
	R072	QRD161J-100	10 1/6W CARBON RES.	
	R075	QRD161J-100	10 1/6W CARBON RES.	
	R088	QRD161J-222	2. 2K 1/6W CARBON RES.	
	R091	QRD161J-102	1K 1/6W CARBON RES.	
	R092	QRD161J-102	1K 1/6W CARBON RES.	
	R102	QRD167J-332	3. 3K 1/6W CARBON RES.	
	R103	QRD161J-221	220 1/6W CARBON RES.	
	R104	QRD167J-272	2. 7K 1/6W CARBON RES.	
	R105	QRD161J-391	390 1/6W CARBON RES.	
	R106	QRD161J-102	1K 1/6W CARBON RES.	
	R107	QRD161J-681	680 1/6W CARBON RES.	
	R108	QRD167J-332	3. 3K 1/6W CARBON RES.	
	R109	QRD161J-221	220 1/6W CARBON RES.	
	R111	QRD161J-103	10K 1/6W CARBON RES.	
	R112	QRD161J-103	10K 1/6W CARBON RES.	
	R115	QRD161J-104	100K 1/6W CARBON RES.	
	R119	QRD161J-222	2. 2K 1/6W CARBON RES.	
	R121	QRD161J-473	47K 1/6W CARBON RES.	
	R122	QRD161J-472	4. 7K 1/6W CARBON RES.	
	R124	QRD161J-222	2. 2K 1/6W CARBON RES.	
	R125	QRD161J-103	10K 1/6W CARBON RES.	
	R127	QRD167J-822	8. 2K 1/6W CARBON RES.	
	R128	QRD161J-472	4. 7K 1/6W CARBON RES.	
	R129	QRD161J-222	2. 2K 1/6W CARBON RES.	
△	R130	QRZ0077-680	68 1/4W FUSIBLE RES.	
	R132	QRD161J-102	1K 1/6W CARBON RES.	
	R133	QRD161J-473	47K 1/6W CARBON RES.	
	R134	QRD161J-102	1K 1/6W CARBON RES.	
	R141	QRD161J-392	3. 9K 1/6W CARBON RES.	
	R142	QRD161J-103	10K 1/6W CARBON RES.	
	R143	QRD161J-103	10K 1/6W CARBON RES.	
	R144	QRD167J-332	3. 3K 1/6W CARBON RES.	
	R145	QRD161J-103	10K 1/6W CARBON RES.	
	R146	QRD167J-272	2. 7K 1/6W CARBON RES.	
	R147	QRD161J-473	47K 1/6W CARBON RES.	
	R148	QRD161J-561	560 1/6W CARBON RES.	
	R151	QRD167J-223	22K 1/6W CARBON RES.	
	R152	QRD167J-223	22K 1/6W CARBON RES.	
	R161	QRD161J-102	1K 1/6W CARBON RES.	
	R162	QRD161J-102	1K 1/6W CARBON RES.	
	R163	QRD161J-472	4. 7K 1/6W CARBON RES.	
	R164	QRD161J-472	4. 7K 1/6W CARBON RES.	
	R171	QRD161J-470	47 1/6W CARBON RES.	
	R172	QRD161J-103	10K 1/6W CARBON RES.	
	R182	QRD161J-103	10K 1/6W CARBON RES.	
	R183	QRD161J-103	10K 1/6W CARBON RES.	
	R184	QRD161J-472	4. 7K 1/6W CARBON RES.	

## ■ Electrical Parts List (ENC-127)

△	Item	Parts Number	Description	Area
	R191	QRD161J-222	2. 2K 1/6W CARBON RES.	
	R192	QRD161J-222	2. 2K 1/6W CARBON RES.	
	R193	QRD161J-102	1K 1/6W CARBON RES.	
	R194	QRD161J-102	1K 1/6W CARBON RES.	
	R195	QRD161J-473	47K 1/6W CARBON RES.	
	R196	QRD161J-473	47K 1/6W CARBON RES.	
	R197	QRD161J-473	47K 1/6W CARBON RES.	
	R198	QRD161J-473	47K 1/6W CARBON RES.	
	R271	QRD161J-104	100K 1/6W CARBON RES.	
	R272	QRD161J-104	100K 1/6W CARBON RES.	
	R280	QRD161J-221	220 1/6W CARBON RES.	
	R281	QRD161J-224	220K 1/6W CARBON RES.	
	R282	QRD161J-224	220K 1/6W CARBON RES.	
	R283	QRD161J-100	10 1/6W CARBON RES.	
	R284	QRD161J-100	10 1/6W CARBON RES.	
	R285	QRD161J-393	39K 1/6W CARBON RES.	
	R286	QRD161J-393	39K 1/6W CARBON RES.	
△	R287	QRD14CJ-6R8SX	6. 8 1/4W UNF. CARBON R	
△	R288	QRD14CJ-100SX	10 1/4W UNF. CARBON R	
	R290	QRD167J-332	3. 3K 1/6W CARBON RES.	
	R292	QRD161J-221	220 1/6W CARBON RES.	
	R293	QRD167J-511	510 1/6W CARBON RES.	
	R294	QRD161J-561	560 1/6W CARBON RES.	
	R296	QRD161J-104	100K 1/6W CARBON RES.	
	R297	QRD161J-222	2. 2K 1/6W CARBON RES.	
	R301	QRD161J-103	10K 1/6W CARBON RES.	
	R302	QRD161J-103	10K 1/6W CARBON RES.	
	R303	QRD167J-153	15K 1/6W CARBON RES.	
	R304	QRD167J-153	15K 1/6W CARBON RES.	
	R315	QRD161J-103	10K 1/6W CARBON RES.	
	R316	QRD161J-103	10K 1/6W CARBON RES.	
	R317	QRD161J-103	10K 1/6W CARBON RES.	
	R318	QRD161J-103	10K 1/6W CARBON RES.	
	R319	QRD161J-103	10K 1/6W CARBON RES.	
	R320	QRD161J-103	10K 1/6W CARBON RES.	
	R321	QRD161J-103	10K 1/6W CARBON RES.	
	R322	QRD161J-103	10K 1/6W CARBON RES.	
	R323	QRD167J-562	5. 6K 1/6W CARBON RES.	
	R324	QRD167J-562	5. 6K 1/6W CARBON RES.	
	R325	QRD167J-562	5. 6K 1/6W CARBON RES.	
	R326	QRD167J-562	5. 6K 1/6W CARBON RES.	
	R331	QRD161J-472	4. 7K 1/6W CARBON RES.	
	R332	QRD161J-472	4. 7K 1/6W CARBON RES.	
	R333	QRD161J-681	680 1/6W CARBON RES.	
	R334	QRD161J-681	680 1/6W CARBON RES.	
	R347	QRD161J-221	220 1/6W CARBON RES.	
	R348	QRD161J-221	220 1/6W CARBON RES.	
	R349	QRD161J-681	680 1/6W CARBON RES.	
	R350	QRD161J-681	680 1/6W CARBON RES.	
	R351	QRD167J-272	2. 7K 1/6W CARBON RES.	
	R352	QRD167J-272	2. 7K 1/6W CARBON RES.	
	R353	QRD161J-103	10K 1/6W CARBON RES.	
	R354	QRD161J-103	10K 1/6W CARBON RES.	
	R355	QRD161J-243	24K 1/6W CARBON RES.	
	R356	QRD161J-243	24K 1/6W CARBON RES.	
	R357	QRD161J-683	68K 1/6W CARBON RES.	
	R358	QRD161J-683	68K 1/6W CARBON RES.	
	R359	QRD167J-223	22K 1/6W CARBON RES.	
	R360	QRD167J-223	22K 1/6W CARBON RES.	
	R361	QRD161J-393	39K 1/6W CARBON RES.	
	R362	QRD161J-393	39K 1/6W CARBON RES.	
	R363	QRD161J-221	220 1/6W CARBON RES.	
	R364	QRD161J-221	220 1/6W CARBON RES.	
	R367	QRD161J-274	270K 1/6W CARBON RES.	
	R368	QRD161J-274	270K 1/6W CARBON RES.	
	R369	QRD161J-470	47 1/6W CARBON RES.	
	R370	QRD161J-470	47 1/6W CARBON RES.	

△	Item	Parts Number	Description	Area
	R371	QRD161J-203	20K 1/6W CARBON RES.	
	R372	QRD161J-203	20K 1/6W CARBON RES.	
	R375	QRD161J-103	10K 1/6W CARBON RES.	
	R376	QRD161J-103	10K 1/6W CARBON RES.	
	R377	QRD161J-221	220 1/6W CARBON RES.	
	R378	QRD161J-221	220 1/6W CARBON RES.	
	R379	QRD161J-912	9. 1K 1/6W CARBON RES.	
	R380	QRD161J-912	9. 1K 1/6W CARBON RES.	
	R381	QRD161J-221	220 1/6W CARBON RES.	
	R382	QRD161J-221	220 1/6W CARBON RES.	
	R385	QRD161J-274	270K 1/6W CARBON RES.	
	R386	QRD161J-274	270K 1/6W CARBON RES.	
	R387	QRD161J-470	47 1/6W CARBON RES.	
	R388	QRD161J-470	47 1/6W CARBON RES.	
	R391	QRD161J-203	20K 1/6W CARBON RES.	
	R392	QRD161J-203	20K 1/6W CARBON RES.	
	R401	QRD167J-562	5. 6K 1/6W CARBON RES.	
	R402	QRD167J-562	5. 6K 1/6W CARBON RES.	
	R403	QRD161J-184	180K 1/6W CARBON RES.	
	R404	QRD161J-184	180K 1/6W CARBON RES.	
	R405	QRD161J-333	33K 1/6W CARBON RES.	
	R406	QRD161J-333	33K 1/6W CARBON RES.	
	R407	QRD161J-183	18K 1/6W CARBON RES.	
	R408	QRD161J-183	18K 1/6W CARBON RES.	
	R409	QRD161J-221	220 1/6W CARBON RES.	
	R410	QRD161J-221	220 1/6W CARBON RES.	
	R411	QRD161J-104	100K 1/6W CARBON RES.	
	R412	QRD161J-104	100K 1/6W CARBON RES.	
	R413	QRD161J-104	100K 1/6W CARBON RES.	
	R414	QRD161J-104	100K 1/6W CARBON RES.	
	R415	QRD161J-104	100K 1/6W CARBON RES.	
	R416	QRD161J-104	100K 1/6W CARBON RES.	
	R417	QRD167J-332	3. 3K 1/6W CARBON RES.	
	R418	QRD167J-332	3. 3K 1/6W CARBON RES.	
	R419	QRD161J-242	2. 4K 1/6W CARBON RES.	
	R420	QRD161J-242	2. 4K 1/6W CARBON RES.	
	R421	QRD161J-103	10K 1/6W CARBON RES.	
	R422	QRD161J-103	10K 1/6W CARBON RES.	
	R425	QRD161J-224	220K 1/6W CARBON RES.	
	R426	QRD161J-224	220K 1/6W CARBON RES.	
△	R429	QRD14CJ-680SX	68 1/4W UNF. CARBON R	
△	R430	QRD14CJ-680SX	68 1/4W UNF. CARBON R	
	R441	QRD161J-222	2. 2K 1/6W CARBON RES.	
	R442	QRD161J-222	2. 2K 1/6W CARBON RES.	
	R443	QRD161J-222	2. 2K 1/6W CARBON RES.	
	R444	QRD161J-222	2. 2K 1/6W CARBON RES.	
	R447	QRD161J-221	220 1/6W CARBON RES.	
	R449	QRD161J-103	10K 1/6W CARBON RES.	
	R450	QRD161J-103	10K 1/6W CARBON RES.	
	R451	QRD161J-103	10K 1/6W CARBON RES.	
	R452	QRD161J-103	10K 1/6W CARBON RES.	
	R453	QRD161J-221	220 1/6W CARBON RES.	
	R454	QRD161J-221	220 1/6W CARBON RES.	
	R455	QRD161J-123	12K 1/6W CARBON RES.	
	R456	QRD161J-123	12K 1/6W CARBON RES.	
	R457	QRD161J-133Y	13K 1/6W CARBON RES.	
	R458	QRD161J-133Y	13K 1/6W CARBON RES.	
	R459	QRD161J-102	1K 1/6W CARBON RES.	
	R461	QRD161J-222	2. 2K 1/6W CARBON RES.	
	R462	QRD161J-222	2. 2K 1/6W CARBON RES.	
	R463	QRD161J-222	2. 2K 1/6W CARBON RES.	
	R464	QRD161J-222	2. 2K 1/6W CARBON RES.	
	R465	QRD161J-222	2. 2K 1/6W CARBON RES.	
	R466	QRD161J-222	2. 2K 1/6W CARBON RES.	
	R467	QRD161J-222	2. 2K 1/6W CARBON RES.	
	R468	QRD161J-222	2. 2K 1/6W CARBON RES.	
	R471	QRD161J-104	100K 1/6W CARBON RES.	

■ Electrical Parts List (ENC-127)

△	Item	Parts Number	Description	Area
	R472	QRD161J-104	100K 1/6W CARBON RES.	
	R473	QRD161J-472	4.7K 1/6W CARBON RES.	
	R474	QRD161J-474	470K 1/6W CARBON RES.	
△	R475	QRD14CJ-680SX	68 1/4W UNF. CARBON R	
△	R476	QRD14CJ-680SX	68 1/4W UNF. CARBON R	
	R477	QRD167J-152	1.5K 1/6W CARBON RES.	
	R478	QRD167J-272	2.7K 1/6W CARBON RES.	
	R479	QRD161J-102	1K 1/6W CARBON RES.	
	R480	QRD167J-822	8.2K 1/6W CARBON RES.	
	R481	QRD167J-153	15K 1/6W CARBON RES.	
	R482	QRD167J-154	150K 1/6W CARBON RES.	
	R483	QRD167J-154	150K 1/6W CARBON RES.	
	R484	QRD167J-154	150K 1/6W CARBON RES.	
△	R485	QRD14CJ-220S	22 1/4W UNF. CARBON R	
	R486	QRD167J-223	22K 1/6W CARBON RES.	
	R487	QRD167J-223	22K 1/6W CARBON RES.	
	R488	QRD161J-103	10K 1/6W CARBON RES.	
	R489	QRD167J-223	22K 1/6W CARBON RES.	
	R490	QRD167J-152	1.5K 1/6W CARBON RES.	
	R491	QRD161J-103	10K 1/6W CARBON RES.	
	R492	QRD167J-332	3.3K 1/6W CARBON RES.	
	R493	QRD167J-682	6.8K 1/6W CARBON RES.	
	R494	QRD161J-273	27K 1/6W CARBON RES.	
	R495	QRD161J-392	3.9K 1/6W CARBON RES.	
	R498	QRD161J-221	220 1/6W CARBON RES.	
	R499	QRD161J-221	220 1/6W CARBON RES.	
	R561	QRD161J-472	4.7K 1/6W CARBON RES.	
	R562	QRD161J-103	10K 1/6W CARBON RES.	
	R563	QRD167J-152	1.5K 1/6W CARBON RES.	
	R564	QRD161J-472	4.7K 1/6W CARBON RES.	
	R567	QRD161J-392	3.9K 1/6W CARBON RES.	
	R570	QRD167J-332	3.3K 1/6W CARBON RES.	
	R571	QRD161J-472	4.7K 1/6W CARBON RES.	
	R572	QRD161J-242	2.4K 1/6W CARBON RES.	
	R573	QRD167J-153	15K 1/6W CARBON RES.	
	R574	QRD161J-242	2.4K 1/6W CARBON RES.	
	R581	QRD167J-562	5.6K 1/6W CARBON RES.	
△	R582	QRZ007-4R7	4.7 1/4W FUSE RESISTO	
	R583	QRD161J-104	100K 1/6W CARBON RES.	
△	R587	QRD14CJ-1R0SX	1 1/4W UNF. CARBON R	
△	R588	QRD14CJ-2R2SX	2.2 1/4W UNF. CARBON R	
	R589	QRD161J-473	47K 1/6W CARBON RES.	
	R590	QRD161J-473	47K 1/6W CARBON RES.	
	R591	QRD161J-472	4.7K 1/6W CARBON RES.	
	R592	QRD161J-472	4.7K 1/6W CARBON RES.	
	R600	QRG01DJ-223X	22K 1W OXIDE METAL	
	R0001	QRD167J-2R7	2.7 1/6W CARBON RES.	
	VR301	QVPA603-501A	500 TRIMMER RES.	
	VR302	QVPA603-501A	500 TRIMMER RES.	
	VR303	QVPA603-501A	500 TRIMMER RES.	
	VR304	QVPA603-501A	500 TRIMMER RES.	
	VR305	QVPA603-104A	100K TRIMMER RES.	
	VR306	QVPA603-104A	100K TRIMMER RES.	
	VR307	QVPA603-104A	100K TRIMMER RES.	
	VR308	QVPA603-104A	100K TRIMMER RES.	
	VR309	QVPA603-104A	100K TRIMMER RES.	
	VR310	QVPA603-104A	100K TRIMMER RES.	
	VR311	QVPA603-503A	50K VARIABLE RES.	
	VR312	QVPA603-503A	50K VARIABLE RES.	
		OTHERS		
		EMW10554-005	PRINTED BOARD	
		E409238-001SM	SHIELD PLATE	
		QWE350-08RR	VINYL WIRE	
		QWE351-08RR	VINYL WIRE	
		QWE357-12RR	VINYL WIRE	
	J401	EMW00TY-615AJ2	PIN JACK	
	K022	ENZ8101-007	INDUCTOR	

△	Item	Parts Number	Description	Area
	K023	ENZ8101-007	INDUCTOR	
	K024	ENZ8101-007	INDUCTOR	
	L301	ENZ6002-012	OSCILLATOR COIL	
	L303	EQL2106-562	INDUCTOR	
	L304	EQL2106-562	INDUCTOR	
	L305	EQL2106-223	INDUCTOR	
	L306	EQL2106-223	INDUCTOR	
	L405	EQL4007-220	INDUCTOR	
	T111	EQR7121-005	RF COIL	
	T141	EQT2140-021	I. F. TRANSFORMER	
	T142	ECB1560-010	CERAMIC FILTER	
	X081	VCX5062-001Z	CRYSTAL	
	AT101	EMB40YV-401KJ4	ANTENNA TERMINAL	
	CF101	ECB2123-006R	CERAMIC FILTER	
	CF102	ECB2123-006R	CERAMIC FILTER	
	CN301	VMC0314-P08	CONNECT TERMINAL	
	CN302	VMC0314-P08	CONNECT TERMINAL	
	CN331	EMV7155-106R	CONNECT TERMINAL	
	CN332	EMV7155-106R	CONNECT TERMINAL	
	CN401	VMC0163-040	CONNECT TERMINAL	
	CN402	VMC0075-003	CONNECTOR	
	CN502	EMV7125-011R	MALE CONNECTOR	
	CN513	EMV5167-116	CONNECT TERMINAL	
	CN514	EMV5167-128	CONNECT TERMINAL	
	CN713	EMV7145-003Z	SOCKET ASSY	
	EP101	E409182-001SM	EARTH TERMINAL	
	EP102	E409182-001SM	EARTH TERMINAL	
	FE101	EAF2203-004	FRONT END	
	LC091	EQF0601-222	CERAMIC FILTER	
	LP141	EQF0101-013	LOWPASS FILTER	
	LP142	EQF0101-013	LOWPASS FILTER	
	SP081	VYH7653-003	I. C. PROTECTOR	
	SP102	VYH7653-002	I. C. PROTECTOR	
	SP103	VYH7653-002	I. C. PROTECTOR	
	SP121	VYH7653-002	I. C. PROTECTOR	
	XT121	ECX0007-200KWJ1	CRYSTAL	
	XT141	ECXPR46-001A	CRYSTAL	
	XT161	ECXP3R6-001ZA	CRYSTAL	



## ■ Electrical Parts List (ENB-219)

△	Item	Parts Number	Description	Area
		I. C. S		
	IC601	AN8806SB	I. C (MONO-ANALOG)	
	IC602	BA6398FP	I. C (MONO-ANALOG)	
	IC603	MN35510-S	I. C (M)	
	IC701	MN172412JAAL	I. C (MICRO-COMPUTER)	
	IC702	NJU3719L	I. C (MONO-ANALOG)	
	IC703	SPS-420-1	INFRARED DETECT UNIT	
	IC751	BA15218N	I. C (MONO-ANALOG)	
	IC752	BA15218N	I. C (MONO-ANALOG)	
		DIODES		
	D701	1SS133	SI. DIODE	
	D702	1SS133	SI. DIODE	
	D703	1SS133	SI. DIODE	
	D704	1SS133	SI. DIODE	
	D705	1SS133	SI. DIODE	
	D707	1SS133	SI. DIODE	
	D709	1SS133	SI. DIODE	
	D711	1SS133	SI. DIODE	
	D715	SPR-39MVWF	L. E. D.	
	D716	SPR-39MVWF	L. E. D.	
	D717	SPR-39MVWF	L. E. D.	
	D718	1SR35-100	SI. DIODE	
	D719	1SS133	SI. DIODE	
	D720	1SS133	SI. DIODE	
	D721	1SS133	SI. DIODE	
	D722	1SS133	SI. DIODE	
	D723	1SS133	SI. DIODE	
	D724	1SS133	SI. DIODE	
	D725	1SS133	SI. DIODE	
	D726	SPR-39MVWF	L. E. D.	
	D727	SPR-39MVWF	L. E. D.	
	D728	SPR-39MVWF	L. E. D.	
	D729	SPR-39MVWF	L. E. D.	
	D730	SPR-39MVWF	L. E. D.	
	D731	SPR-39MVWF	L. E. D.	
	D732	SPR-39MVWF	L. E. D.	
	D733	SPR-39MVWF	L. E. D.	
	D734	SLR-342VC3F	L. E. D.	
	D735	SLR-342MCA47	L. E. D.	
	D736	SLR-342MCA47	L. E. D.	
	D737	SLR-342MCA47	L. E. D.	
	D738	SLR-342MCA47	L. E. D.	
	D739	SLR-342MCA47	L. E. D.	
	D740	SLR-342MCA47	L. E. D.	
	D741	SLR-342MCA47	L. E. D.	
	D742	SLR-342VC3F	L. E. D.	
	D743	SLR-342VC3F	L. E. D.	
	D744	SIR-56SB3F	L. E. D.	
	D745	SLR-342MCA47	L. E. D.	
	D746	SLR-342MCA47	L. E. D.	
	D791	SLR-9118A-T1	L. E. D.	
		TRANSISTORS		
	Q601	2SA952 (L, K)	SI. TRANSISTOR	
	Q631	2SA952 (L, K)	SI. TRANSISTOR	
	Q701	DTA144ES	DIGITAL TRANSISTOR	
	Q702	DTA144ES	DIGITAL TRANSISTOR	
	Q703	DTA144ES	DIGITAL TRANSISTOR	
	Q704	DTC114ES	DIGITAL TRANSISTOR	
	Q705	DTC114ES	DIGITAL TRANSISTOR	
	Q706	DTA114TS	DIGITAL TRANSISTOR	
	Q707	DTA114TS	DIGITAL TRANSISTOR	
	Q708	DTA144ES	DIGITAL TRANSISTOR	
	Q709	DTA144ES	DIGITAL TRANSISTOR	
	Q710	DTA144ES	DIGITAL TRANSISTOR	
	Q711	DTA144ES	DIGITAL TRANSISTOR	
	Q712	DTA144ES	DIGITAL TRANSISTOR	
	Q713	DTA144ES	DIGITAL TRANSISTOR	
	Q714	DTA123ES	DIODE	
	Q715	DTA123ES	DIODE	
	Q716	DTC114ES	DIGITAL TRANSISTOR	

△	Item	Parts Number	Description	Area
	Q791	SPS-1118C-T1	PHOTO TRANSISTOR	
		CAPACITORS		
	C602	QCZ0205-155	1.5MF 25V C. CAP.	
	C604	QETB1AM-107	100MF 10V AL. E. CAP.	
	C605	QETB1EM-106	10MF 25V AL. E. CAP.	
	C606	QCBB1HK-102Y	1000PF 50V CER. CAP.	
	C607	QCBB1HK-102Y	1000PF 50V CER. CAP.	
	C608	QETB1HM-105	1MF 50V AL. E. CAP.	
	C609	QCBB1HK-101Y	100PF 50V CER. CAP.	
	C610	QFLB1HJ-273	0.027MF 50V MYLAR CAP.	
	C611	QCXB1CM-472Y	4700PF 16V CER. CAP.	
	C612	QCVB1CM-103Y	0.01MF 16V CER. CAP.	
	C613	QCBB1HK-331Y	330PF 50V CER. CAP.	
	C614	QFLB1HJ-104	0.1MF 50V MYLAR CAP.	
	C615	QCHB1EZ-223	0.022MF 25V CER. CAP.	
	C616	QCHB1EZ-223	0.022MF 25V CER. CAP.	
	C617	QCHB1EZ-223	0.022MF 25V CER. CAP.	
	C618	QCXB1CM-222Y	2200PF 16V CER. CAP.	
	C619	QCBB1HK-271Y	270PF 50V CER. CAP.	
	C620	QCSB1HJ-470	47PF 50V CER. CAP.	
	C621	QCBB1HK-821Y	820PF 50V CER. CAP.	
	C622	QETB1AM-476	47MF 10V E. CAP.	
	C623	QFLB1HJ-273	0.027MF 50V MYLAR CAP.	
	C625	QCZ0205-155	1.5MF 25V C. CAP.	
	C631	QETB1AM-477	470MF 10V E. CAP.	
	C632	QETB1AM-107	100MF 10V AL. E. CAP.	
	C651	QCSB1HJ-120Y	12PF 50V CER. CAP.	
	C652	QCSB1HJ-120Y	12PF 50V CER. CAP.	
	C653	QCHB1EZ-223	0.022MF 25V CER. CAP.	
	C654	QCSB1HJ-5R6YM	5.6PF 50V CER. CAP.	
	C655	QCC21EM-473	0.047MF 25V CER. CAP.	
	C661	QCBB1HK-471Y	470PF 50V CER. CAP.	
	C662	QCC21EM-473	0.047MF 25V CER. CAP.	
	C663	QFLB1HJ-223	0.022MF 50V MYLAR CAP.	
	C664	QCHB1EZ-223	0.022MF 25V CER. CAP.	
	C665	QFV81HJ-334	0.33MF 50V TF. CAP.	
	C671	QCXB1CM-222Y	2200PF 16V CER. CAP.	
	C672	QCXB1CM-222Y	2200PF 16V CER. CAP.	
	C673	QEK61AM-227ZM	220MF 10V AL. E. CAP.	
	C674	QCHB1EZ-223	0.022MF 25V CER. CAP.	
	C676	QCBB1HK-102Y	1000PF 50V CER. CAP.	
	C681	QCXB1CM-222Y	2200PF 16V CER. CAP.	
	C682	QCSB1HJ-470	47PF 50V CER. CAP.	
	C699	QCZ0202-155	1.5MF 25V CER. RES.	
	C701	QCVB1CM-103Y	0.01MF 16V CER. CAP.	
	C702	QCT26CH-330	33PF 50V CER. CAP.	
	C703	QCVB1CM-103Y	0.01MF 16V CER. CAP.	
	C704	QER50JM-107	100MF 6.3V AL. E. CAP.	
	C706	QCHB1EZ-223	0.022MF 25V CER. CAP.	
	C707	QER61HM-226	22MF 50V AL. E. CAP.	
	C711	QCHB1EZ-223	0.022MF 25V CER. CAP.	
	C712	QER50JM-107	100MF 6.3V AL. E. CAP.	
	C715	QETB0JM-108N	1000MF 6.3V E. CAP.	
	C716	QEZ0227-10AZ	E. CAP.	
	C718	QCBB1HK-102Y	1000PF 50V CER. CAP.	
	C719	QCVB1CM-103Y	0.01MF 16V CER. CAP.	
	C736	QCBB1HK-221Y	220PF 50V CER. CAP.	
	C737	QCBB1HK-221Y	220PF 50V CER. CAP.	
	C738	QCBB1HK-221Y	220PF 50V CER. CAP.	
	C739	QCBB1HK-221Y	220PF 50V CER. CAP.	
	C751	QETB1EM-106	10MF 25V AL. E. CAP.	
	C752	QCBB1HK-102Y	1000PF 50V CER. CAP.	
	C753	QCBB1HK-101Y	100PF 50V CER. CAP.	
	C754	QCBB1HK-101Y	100PF 50V CER. CAP.	
	C755	QETB1EM-106	10MF 25V AL. E. CAP.	
	C756	QCBB1HK-102Y	1000PF 50V CER. CAP.	
	C757	QETB1EM-106	10MF 25V AL. E. CAP.	
	C758	QCBB1HK-101Y	100PF 50V CER. CAP.	
	C761	QCBB1HK-102Y	1000PF 50V CER. CAP.	
	C762	QETB1EM-106	10MF 25V AL. E. CAP.	



## ■ Electrical Parts List (ENB-219)

△	Item	Parts Number	Description	Area
	C763	QCBB1HK-101Y	100PF 50V CER. CAP.	
	C764	QETB1EM-106	10MF 25V AL. E. CAP.	
	C765	QETB1EM-106	10MF 25V AL. E. CAP.	
	C767	QCGB1HK-102	1000PF 50V CER. CAP.	
	C768	QCBB1HK-101Y	100PF 50V CER. CAP.	
	C769	QCBB1HK-181Y	180PF 50V CER. CAP.	
	C770	QETB1EM-476	47MF 25V AL. E. CAP.	
	C773	QETB1EM-106	10MF 25V AL. E. CAP.	
	C774	QETB1EM-106	10MF 25V AL. E. CAP.	
	C775	QCFB1HZ-104Y	0.1MF 50V CER. CAP.	
	C776	QCHB1EZ-223	0.022MF 25V CER. CAP.	
	C777	QCBB1HK-681Y	680PF 50V CER. CAP.	
	C778	QCFB1HZ-104Y	0.1MF 50V CER. CAP.	
	C781	QCBB1HK-101Y	100PF 50V CER. CAP.	
	C785	QCBB1HK-561Y	560PF 50V CER. CAP.	
	C786	QFV81HJ-224	0.22MF 50V THIN FILM CAP.	
	C787	QCZ0205-155	1.5MF 25V C. CAP.	
	C791	QCBB1HK-561Y	560PF 50V CER. CAP.	
	C793	QFV81HJ-104	0.1MF 50V THIN FILM CAP.	
	TC701	ENZ1003-015	0.1MF TRIMMER CAPA	
		RESISTORS		
	R601	QRD161J-622	6.2K 1/6W CARBON RES.	
	R602	QRD167J-562	5.6K 1/6W CARBON RES.	
	R603	QRD161J-125	1.2M 1/6W CARBON RES.	
	R605	QRD167J-134	130K 1/6W CARBON RES.	
	R606	QRD161J-913	91K 1/6W CARBON RES.	
	R607	QRD161J-273	27K 1/6W CARBON RES.	
	R609	QRD161J-114	110K 1/6W CARBON RES.	
	R610	QRD167J-154	150K 1/6W CARBON RES.	
	R612	QRD161J-103	10K 1/6W CARBON RES.	
	R613	QRD167J-121	120 1/6W CARBON RES.	
	R614	QRD161J-100	10 1/6W CARBON RES.	
	R615	QRD161J-120	12 1/6W CARBON RES.	
	R616	QRD161J-910Y	91 1/6W CARBON RES.	
	R631	QRD161J-331	330 1/6W CARBON RES.	
	R632	QRD161J-101	100 1/6W CARBON RES.	
	R641	QRD161J-563	56K 1/6W CARBON RES.	
	R642	QRD161J-123	12K 1/6W CARBON RES.	
	R643	QRD167J-822	8.2K 1/6W CARBON RES.	
	R644	QRD167J-223	22K 1/6W CARBON RES.	
	R645	QRD167J-223	22K 1/6W CARBON RES.	
	R646	QRD161J-182	1.8K 1/6W CARBON RES.	
	R647	QRD167J-562	5.6K 1/6W CARBON RES.	
	R651	QRD161J-102	1K 1/6W CARBON RES.	
	R652	QRD161J-102	1K 1/6W CARBON RES.	
	R653	QRD161J-102	1K 1/6W CARBON RES.	
	R654	QRD161J-102	1K 1/6W CARBON RES.	
	R655	QRD161J-220	22 1/6W CARBON RES.	
	R661	QRD161J-104	100K 1/6W CARBON RES.	
	R663	QRD161J-124	120K 1/6W CARBON RES.	
	R664	QRD161J-681	680 1/6W CARBON RES.	
	R666	QRD161J-220	22 1/6W CARBON RES.	
	R671	QRD161J-102	1K 1/6W CARBON RES.	
	R672	QRD161J-102	1K 1/6W CARBON RES.	
	R681	QRD161J-101	100 1/6W CARBON RES.	
	R691	QRD161J-102	1K 1/6W CARBON RES.	
	R692	QRD161J-271	270 1/6W CARBON RES.	
	R693	QRD161J-101	100 1/6W CARBON RES.	
	R694	QRD161J-101	100 1/6W CARBON RES.	
	R696	QRD161J-101	100 1/6W CARBON RES.	
	R697	QRD161J-101	100 1/6W CARBON RES.	
	R698	QRD161J-102	1K 1/6W CARBON RES.	
	R699	QRD161J-102	1K 1/6W CARBON RES.	
	R701	QRD161J-221	220 1/6W CARBON RES.	
	R702	QRD161J-221	220 1/6W CARBON RES.	
	R703	QRD161J-221	220 1/6W CARBON RES.	
	R704	QRD161J-221	220 1/6W CARBON RES.	
	R705	QRD161J-221	220 1/6W CARBON RES.	
	R706	QRD161J-221	220 1/6W CARBON RES.	
	R707	QRD161J-104	100K 1/6W CARBON RES.	

△	Item	Parts Number	Description	Area
	R708	QRD161J-470	47 1/6W CARBON RES.	
	R709	QRD161J-103	10K 1/6W CARBON RES.	
	R710	QRD161J-103	10K 1/6W CARBON RES.	
	R713	QRD161J-103	10K 1/6W CARBON RES.	
	R714	QRD167J-111	110 1/6W CARBON RES.	
	R715	QRD161J-221	220 1/6W CARBON RES.	
	R716	QRD167J-111	110 1/6W CARBON RES.	
	R717	QRD161J-221	220 1/6W CARBON RES.	
	R718	QRD167J-111	110 1/6W CARBON RES.	
	R719	QRD161J-221	220 1/6W CARBON RES.	
	R720	QRD167J-111	110 1/6W CARBON RES.	
	R721	QRD161J-221	220 1/6W CARBON RES.	
	R722	QRD167J-151	150 1/6W CARBON RES.	
	R723	QRD167J-151	150 1/6W CARBON RES.	
	R724	QRD167J-121	120 1/6W CARBON RES.	
	R725	QRD161J-221	220 1/6W CARBON RES.	
	R726	QRD161J-221	220 1/6W CARBON RES.	
	R727	QRD161J-221	220 1/6W CARBON RES.	
	R729	QRD161J-271	270 1/6W CARBON RES.	
	R730	QRD161J-271	270 1/6W CARBON RES.	
	R731	QRD167J-121	120 1/6W CARBON RES.	
	R732	QRD161J-473	47K 1/6W CARBON RES.	
	R733	QRD161J-473	47K 1/6W CARBON RES.	
	R734	QRD161J-473	47K 1/6W CARBON RES.	
	R736	QRD161J-104	100K 1/6W CARBON RES.	
	R737	QRD161J-104	100K 1/6W CARBON RES.	
	R738	QRD161J-104	100K 1/6W CARBON RES.	
	R745	QRD161J-221	220 1/6W CARBON RES.	
	R746	QRD161J-221	220 1/6W CARBON RES.	
	R751	QRD161J-102	1K 1/6W CARBON RES.	
	R752	QRD161J-103	10K 1/6W CARBON RES.	
	R753	QRD161J-561	560 1/6W CARBON RES.	
	R754	QRD161J-473	47K 1/6W CARBON RES.	
	R755	QRD161J-101	100 1/6W CARBON RES.	
	R756	QRD161J-103	10K 1/6W CARBON RES.	
	R759	QRD161J-102	1K 1/6W CARBON RES.	
	R761	QRD161J-103	10K 1/6W CARBON RES.	
	R762	QRD161J-102	1K 1/6W CARBON RES.	
	R767	QRD161J-103	10K 1/6W CARBON RES.	
	R768	QRD161J-102	1K 1/6W CARBON RES.	
	R769	QRD161J-103	10K 1/6W CARBON RES.	
	R771	QRD161J-104	100K 1/6W CARBON RES.	
	R775	QRD161J-222	2.2K 1/6W CARBON RES.	
	R776	QRD161J-101	100 1/6W CARBON RES.	
	R777	QRD161J-473	47K 1/6W CARBON RES.	
	R778	QRD161J-561	560 1/6W CARBON RES.	
	R791	QRD161J-122	1.2K 1/6W CARBON RES.	
	R801	QRD161J-102	1K 1/6W CARBON RES.	
	R802	QRD161J-102	1K 1/6W CARBON RES.	
	R803	QRD161J-102	1K 1/6W CARBON RES.	
	R804	QRD161J-102	1K 1/6W CARBON RES.	
	R805	QRD161J-102	1K 1/6W CARBON RES.	
	R806	QRD161J-102	1K 1/6W CARBON RES.	
	R807	QRD161J-102	1K 1/6W CARBON RES.	
	R808	QRD161J-222	2.2K 1/6W CARBON RES.	
	R809	QRD161J-222	2.2K 1/6W CARBON RES.	
	R810	QRD167J-121	120 1/6W CARBON RES.	
	RA701	QRB129J-104	100K 1/10W NETWORK RES.	
	RA702	QRB129J-104	100K 1/10W NETWORK RES.	
	RA703	QRB129J-104	100K 1/10W NETWORK RES.	
	RA704	QRB129J-104	100K 1/10W NETWORK RES.	
	VR751	QVAA72B-E54B	50K VARIABLE RES.	
		OTHERS		
		EMW10555-007	CIRCUIT BOARD	
	J751	QMS3R81-EE0S	HEADPHONE JACK	
	J752	QMS3R81-EE0S	HEADPHONE JACK	
	J761	VMJ4024-001	HEADPHONE JACK	
	K001	ENZ8101-007	INDUCTOR	
	K002	ENZ8101-007	INDUCTOR	
	P699	TOTX178	OPTICAL JACK	

## ■ Electrical Parts List (ENB-219)

△	Item	Parts Number	Description	Area
	S701	ESP0001-023M	TACT SWITCH	
	S702	ESP0001-023M	TACT SWITCH	
	S703	ESP0001-023M	TACT SWITCH	
	S704	ESP0001-023M	TACT SWITCH	
	S705	ESP0001-023M	TACT SWITCH	
	S706	ESP0001-023M	TACT SWITCH	
	S707	ESP0001-023M	TACT SWITCH	
	S708	ESP0001-023M	TACT SWITCH	
	S709	ESP0001-023M	TACT SWITCH	
	S710	ESP0001-023M	TACT SWITCH	
	S711	ESP0001-023M	TACT SWITCH	
	S712	ESP0001-023M	TACT SWITCH	
	S713	ESP0001-023M	TACT SWITCH	
	S714	ESP0001-023M	TACT SWITCH	
	S715	ESP0001-023M	TACT SWITCH	
	S716	ESP0001-023M	TACT SWITCH	
	S717	ESP0001-023M	TACT SWITCH	
	S718	ESP0001-023M	TACT SWITCH	
	S719	ESP0001-023M	TACT SWITCH	
	S720	ESP0001-023M	TACT SWITCH	
	S721	ESP0001-023M	TACT SWITCH	
	S722	ESP0001-023M	TACT SWITCH	
	S723	ESP0001-023M	TACT SWITCH	
	S724	ESP0001-023M	TACT SWITCH	
	S725	ESP0001-023M	TACT SWITCH	
	S726	ESP0001-023M	TACT SWITCH	
	S727	ESP0001-023M	TACT SWITCH	
	S728	ESP0001-023M	TACT SWITCH	
	S729	ESP0001-023M	TACT SWITCH	
	S730	ESP0001-023M	TACT SWITCH	
	X651	ECX0169-344EF	CRYSTAL	
	X701	ECX0006-000KNJ	CRYSTAL	
	BC112	EWS26C-A910	SOCKET WIRE ASSY	
	BC113	EWS26D-A910	SOCKET WIRE ASSY	
	BK701	E309500-001SM	FL HOLDER	
	CN411	VMC0163-R40	CONNECT TERMINAL	
	CN515	VMC0163-R15	CONNECT TERMINAL	
	CN601	EMV7144-015R	CONNECT TERMINAL	
	CN602	EMV5109-006A	CONNECT TERMINAL	
	CN603	VMC0163-R07	CONNECT TERMINAL	
	CN604	VMC0163-R11	CONNECT TERMINAL	
	CN605	EWS263-A910	SOCKET WIRE ASSY	
	CN606	EMV7144-015R	CONNECT TERMINAL	
	CN615	VMC0075-003	CONNECTOR	
	CN701	VMC0314-P06	CONNECT TERMINAL	
	CN711	VMC0314-S06	CONNECT TERMINAL	
	D1701	ELU0001-206	FLUORESCENT DISPLAY TUBE	
	FS701	E3400-439	FELT SPACER	
	FS702	E3400-439	FELT SPACER	
	FW701	VWSC10-133K3K	FLAT WIRE	
	FW702	VWSC10-133K3K	FLAT WIRE	
	FW703	VWSC10-133K3K	FLAT WIRE	
	FW704	EWR33D-20SS	FLAT WIRE	
	FW712	VWSC02-203K3K	FLAT WIRE	
	FW713	EWR33D-08LS	CORD	
	FW751	EWR39D-10LS	FLAT WIRE	
	JS701	QJ4002-E04J5	ROTARY SWITCH	
	SP601	VYH7237-001	I. C. COVER	
	SP602	VYH7237-003	I. C. COVER	
	SP603	VYH7237-003	I. C. COVER	
	SP701	VYH7653-001	LEAF SPRING	
	TP601	QMV5004-002K	PLUG ASSY	
	TW601	EW102-047	TERMINAL WIRE	
	TW701	EW1035-001	TERMINAL WIRE	

## ■ Electrical Parts List (C3 Mecha.)

△	Item	Parts Number	Description	Area
		I. C. S		
	IC801	UPD65612GB-208	I. C.(M)	
	IC802	TA8409S	I. C.(MONO-ANALOG)	
	IC803	TA8409S	I. C.(MONO-ANALOG)	
		CAPACITORS		
	C801	QEK51AM-107	100MF 10V AL E. CAP.	
	C802	QEK51EM-475	4.7MF 25V AL E. CAP.	
	C803	QFLB1HJ-102	1000PF 50V MYLAR CAP.	
	C804	QCFB1HZ-104Y	0.1MF 50V CER. CAP.	
	C805	QCVB1CM-103Y	0.01MF 16V CER. CAP.	
	C806	QEK51CM-476	47MF 16V AL E. CAP.	
	C807	QEK51CM-476	47MF 16V AL E. CAP.	
	C808	QFLB1HJ-102	1000PF 50V MYLAR CAP.	
	C810	QCZ0205-155	1.5MF 25V C. CAP.	
	C811	QCZ0205-155	1.5MF 25V C. CAP.	
	C813	QCVB1CM-103Y	0.01MF 16V CER. CAP.	
	C821	QCB81HK-102Y	1000PF 50V CER. CAP.	
		RESISTORS		
	R805	QRD161J-102	1K 1/6W CARBON RES.	
	R806	QRD161J-471	470 1/6W CARBON RES.	
	R807	QRD161J-471	470 1/6W CARBON RES.	
	R808	QRD161J-102	1K 1/6W CARBON RES.	
	R810	QRD161J-684	680K 1/6W CARBON RES.	
	R811	QRD161J-105	1M 1/6W CARBON RES.	
	R813	QRD161J-102	1K 1/6W CARBON RES.	
	R814	QRD161J-102	1K 1/6W CARBON RES.	
	R815	QRD161J-102	1K 1/6W CARBON RES.	
	R816	QRD161J-102	1K 1/6W CARBON RES.	
	R817	QRD161J-102	1K 1/6W CARBON RES.	
	R818	QRD161J-102	1K 1/6W CARBON RES.	
	R819	QRD161J-102	1K 1/6W CARBON RES.	
	R820	QRD161J-102	1K 1/6W CARBON RES.	
	R821	QRD161J-102	1K 1/6W CARBON RES.	
	R822	QRD161J-102	1K 1/6W CARBON RES.	
	R823	QRD161J-102	1K 1/6W CARBON RES.	
	R824	QRD161J-102	1K 1/6W CARBON RES.	
	R825	QRD161J-102	1K 1/6W CARBON RES.	
	R826	QRD161J-102	1K 1/6W CARBON RES.	
	R827	QRD161J-102	1K 1/6W CARBON RES.	
	R828	QRD161J-102	1K 1/6W CARBON RES.	
	R829	QRD161J-102	1K 1/6W CARBON RES.	
	R830	QRD161J-102	1K 1/6W CARBON RES.	
	R832	QRD161J-181	180 1/6W CARBON RES.	
	R833	QRD161J-102	1K 1/6W CARBON RES.	
	R834	QRD161J-102	1K 1/6W CARBON RES.	
	R839	QRD167J-332	3.3K 1/6W CARBON RES.	
	R840	QRD167J-562	5.6K 1/6W CARBON RES.	
		OTHERS		
		VWV1377-004X	PW BOARD	
		VYH7237-001SS	IC HOLDER	
	L801	VQP0018-100	INDUCTOR	
	L802	VQP0033-100Z	INDUCTOR	
	L803	VQP0033-100Z	INDUCTOR	
	L804	VQP0033-100Z	INDUCTOR	
	CN801	VMC0163-R10	CONNECT TERMINAL	
	CN802	VMC0289-P07	CONNECT TERMINAL	
	CN803	VMC0324-12310	CONNECT TERMINAL	

### ■ Electrical Parts List (ENV-002)

△	Item	Parts Number	Description	Area
		I. C. S		
	IC101	CL480-F1	I. C.	
	IC102	JCE0002-X	I. C.	
	IC103	HMS14260CJ-7X	I. C (D-RAM)	
	IC103	UPD424260LE-70X	I. C (D-RAM)	
	IC104	BU1418K	I. C (DIGI-MOS)	
	IC105	BU2173F-X	I. C (DIGI-MOS)	
	IC106	UPD6461GS-635X	I. C.	
	IC107	PQ20VZ11X	I. C (M)	
	IC108	TC7SH04FU	I. C (DIGI-MOS)	
	IC111	MN171601JW1	I. C (MICRO-COMPUTER)	
	IC112	TC55257DFLL85EX	I. C (S-RAM)	
	IC113	HD74HCT244FPW	I. C (DIGI-MOS)	
	IC114	HD74HCT245FPW	I. C (DIGI-MOS)	
		DIODES		
	D141	DTZ4.7(B)-X	ZENER DIODE	
		CAPACITORS		
	C101	NCF31EZ-104AY	0.1MF 25V CER. CAP.	
	C102	NCF31EZ-104AY	0.1MF 25V CER. CAP.	
	C103	NCF31EZ-104AY	0.1MF 25V CER. CAP.	
	C105	NCF31EZ-104AY	0.1MF 25V CER. CAP.	
	C106	NCF31EZ-104AY	0.1MF 25V CER. CAP.	
	C107	NCF31EZ-104AY	0.1MF 25V CER. CAP.	
	C110	NCF31EZ-104AY	0.1MF 25V CER. CAP.	
	C111	NCF31EZ-104AY	0.1MF 25V CER. CAP.	
	C112	NCF31EZ-104AY	0.1MF 25V CER. CAP.	
	C113	NCF31EZ-104AY	0.1MF 25V CER. CAP.	
	C115	NCF31EZ-104AY	0.1MF 25V CER. CAP.	
	C116	NCF31EZ-104AY	0.1MF 25V CER. CAP.	
	C122	NCS31HJ-150AY	15PF 50V CER. CAP.	
	C123	NCF31EZ-104AY	0.1MF 25V CER. CAP.	
	C124	NCF31EZ-104AY	0.1MF 25V CER. CAP.	
	C125	NCF31EZ-104AY	0.1MF 25V CER. CAP.	
	C126	NEA20JM-226MZ	22MF 6.3V AL. E. CAP.	
	C127	NCF31EZ-104AY	0.1MF 25V CER. CAP.	
	C131	NCF31EZ-104AY	0.1MF 25V CER. CAP.	
	C132	NCF31EZ-104AY	0.1MF 25V CER. CAP.	
	C133	NCF31EZ-104AY	0.1MF 25V CER. CAP.	
	C134	NCF31EZ-104AY	0.1MF 25V CER. CAP.	
	C141	NCB31HK-472AY	4700PF 50V CER. CAP.	
	C151	NCF31EZ-104AY	0.1MF 25V CER. CAP.	
	C152	NEA20JM-226MZ	22MF 6.3V AL. E. CAP.	
	C153	NCF31EZ-104AY	0.1MF 25V CER. CAP.	
	C154	NEA20JM-226MZ	22MF 6.3V AL. E. CAP.	
	C155	NCF31EZ-104AY	0.1MF 25V CER. CAP.	
	C156	NEA20JM-226MZ	22MF 6.3V AL. E. CAP.	
	C157	NEA20JM-226MZ	22MF 6.3V AL. E. CAP.	

△	Item	Parts Number	Description	Area
	C158	NCF31EZ-104AY	0.1MF 25V CER. CAP.	
	C161	NCS31HJ-101AY	100PF 50V CER. CAP.	
	C162	NCS21HJ-681AY	680PF 50V CER. CAP.	
	C163	NCS31HJ-101AY	100PF 50V CER. CAP.	
	C167	NCS31HJ-471AY	470PF 50V CER. CAP.	
	C168	NCB31HK-152AY	1500PF 50V CER. CAP.	
	C170	NCS31HJ-471AY	470PF 50V CER. CAP.	
	C172	NCS31HJ-471AY	470PF 50V CER. CAP.	
	C181	NCF31EZ-104AY	0.1MF 25V CER. CAP.	
	TC101	ENZ1003-017T	010MF TRIMMER CAPA	
		RESISTORS		
	R102	NRSA63J-473NY	METAL GLAZE	
	R103	NRSA63J-103N	METAL GLAZE	
	R104	NRSA63J-105NY	METAL GLAZE	
	R105	NRSA63J-242NY	METAL GLAZE	
	R106	NRSA63J-682NY	METAL GLAZE	
	R107	NRSA63J-112NY	METAL GLAZE	
	R108	NRSA63J-750NY	METAL GLAZE	
	R109	NRSA63J-111NY	METAL GLAZE	
	R110	NRSA63J-151NY	METAL GLAZE	
	R111	NRSA63J-182NY	METAL GLAZE	
	R112	NRSA63J-112NY	METAL GLAZE	
	R115	NRSA63J-OROAY	METAL GLAZE	
	R121	NRSA63J-102NY	METAL GLAZE	
	R122	NRSA63J-102NY	METAL GLAZE	
	R123	NRSA63J-102NY	METAL GLAZE	
	R124	NRSA63J-102NY	METAL GLAZE	
	R125	NRSA63J-102NY	METAL GLAZE	
	R132	NRSA63J-OROAY	METAL GLAZE	
	R135	NRSA63J-330NY	METAL GLAZE	
	R141	NRSA63J-750NY	METAL GLAZE	
	R142	NRSA63J-562NY	METAL GLAZE	
	R143	NRSA63J-OROAY	METAL GLAZE	
	R144	NRSA63J-OROAY	METAL GLAZE	
	R145	NRSA63J-OROAY	METAL GLAZE	
	R146	NRSA63J-OROAY	METAL GLAZE	
		OTHERS		
		EMW10553-002A	PRINTED BOARD	
	K101	ENZ8102-N102AY	FERRITE BEADS	
	K103	ENZ8102-N102AY	FERRITE BEADS	
	L101	VQP1007-2R7Y	INDUCTOR	
	L102	VQP1007-2R7Y	INDUCTOR	
	L103	VQP1007-2R7Y	INDUCTOR	
	X101	ECXA014-N01WJ3	CRYSTAL	
	CN101	EMV7154-215E	CONNECT TERMINAL	
	CN102	EMV5109-012BE	CONNECT TERMINAL	
	CN103	EMV5109-013BE	CONNECT TERMINAL	

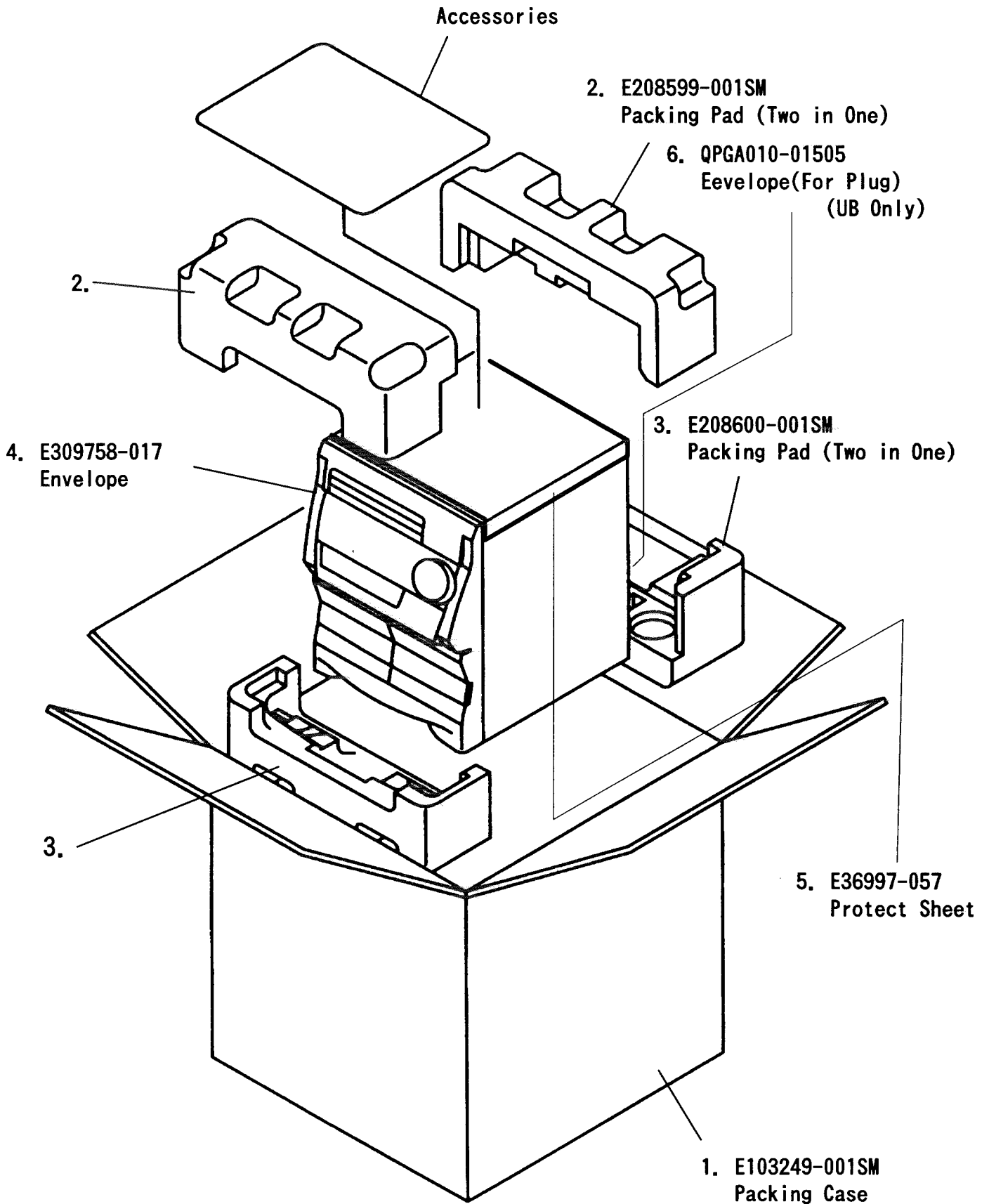
### Accessories List

No. **M5M**

△	Item	Parts Number	Parts Name	Q'ty	Description	Area
	1	E30580-2537A	INSTRUCTION BOOK	1		
	2	E309758-002	POLY BAG	1		
	3	EQB4001-019	LOOP ANTENNA	1		
	4	RM-SEV805TU	WIRE-LESS REMOTE CONTROL	1		
	5	R6PRPA-2STSA	BATTERY	1		
	6	EWP304-014W	SIGNAL CORD	1		
△	7	ENZ2203-001	ADAPTOR PLUG	1		U UT
△	8	ENZ2202-001	SIEMENS PLUG	1		US
	9	EWP201-011	ANTENNA WIRE	1		

# Packing Materials and Part Numbers

Block No. **M6MM**





CA-V605T

**JVC**

VICTOR COMPANY OF JAPAN, LIMITED  
AUDIO PRODUCT DIVISION 1644, SHIMOTSURUMA, YAMATO-SHI, KANAGAWA-KEN, 242, JAPAN

( No.20602 )

 Printed in Japan  
9610(O)